

# Welham Rd (North)

FILE SET NAME ap\_20200603\_Welham Rd (North)  
CLIENT Undisclosed  
INTERNAL ID  
CLIENT ID  
PROJECT CITY Barrie  
VACINITY DESCRIPTION  
SURVEYOR Undisclosed  
DATE SURVEY INITIALIZED 2020-06-03 09:03:35  
DATE RENDERED 2020-06-11 16:44:51  
COMMENT  
COORDINATE SYSTEM NAME WGS 84 / UTM zone 17N

PARTIAL SURVEYED POLES 0  
FULLY SURVEYED POLES 7  
POWER OWNED 7  
COMM OWNED 0  
UNCERTAIN 0

PRODUCED BY  
**ambre POLE**  
A PRODUCT BY **ambre COMM**



44.35243833864891,-79.67085670422814  
Opposite-149 Welham Rd

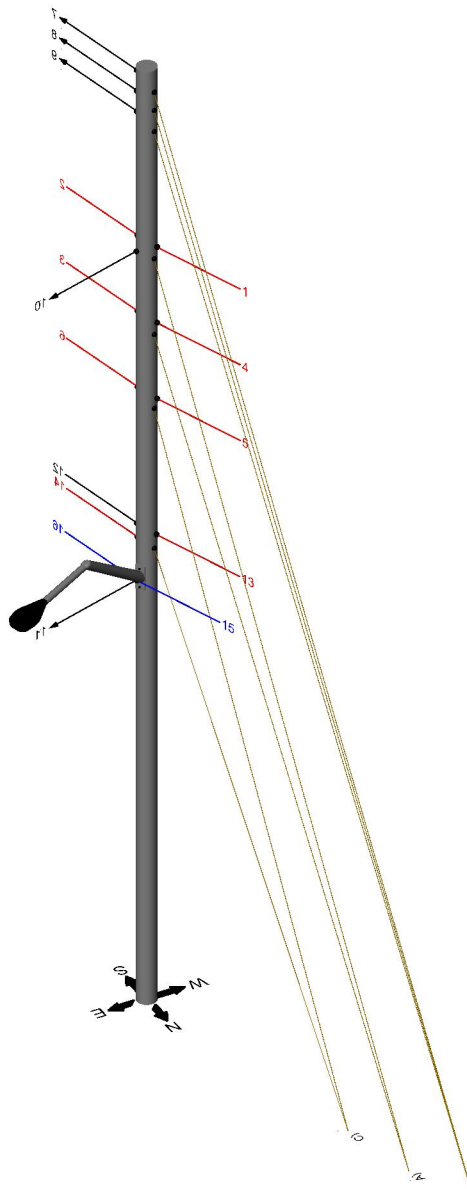
Surveyor..... Undisclosed  
Date Surveyed.. 2020-06-04  
Pole ID 1..... P53735  
Pole ID 2..... NA  
TX Tag(s).....  
SW Tag(s).....  
Owner..... Alectra  
Usage..... Joint  
Class..... 1  
Circumference...-  
Height..... 60  
Composition..... Wood  
Manufacturer.....  
Year Mfg..... 2017  
Year Install.....  
Year Inspect.....  
Species..... WRC  
Preserve..... CCA  
Pole Tilt.....

Top of Pole..... 15.4m  
Lowest Primary..10.0m  
Lowest Sec..... 7.42m  
Lowest SL..... 7.23m  
Lowest TL..... -

- PT (New Pole)     Has TX
- Has Primary Dip     Has Sec Dip
- Has Primary SW     Has Power VG
- Has In-Line SW(s)     Has Comm VG
- Has Ambiguous Grade

O/S to BOC/EOP 1..  
O/S to BOC/EOP 2..  
O/S to SW 1.....  
O/S to SW 2.....  
O/S to Fence.....  
O/S to BOC Tang...  
Vert O/S to Grade... -  
Common Grade.....  
Altitude..... 272.94m    PDOP: 3.35m  
Condition: Visually OK

SCBN has yet to transfer

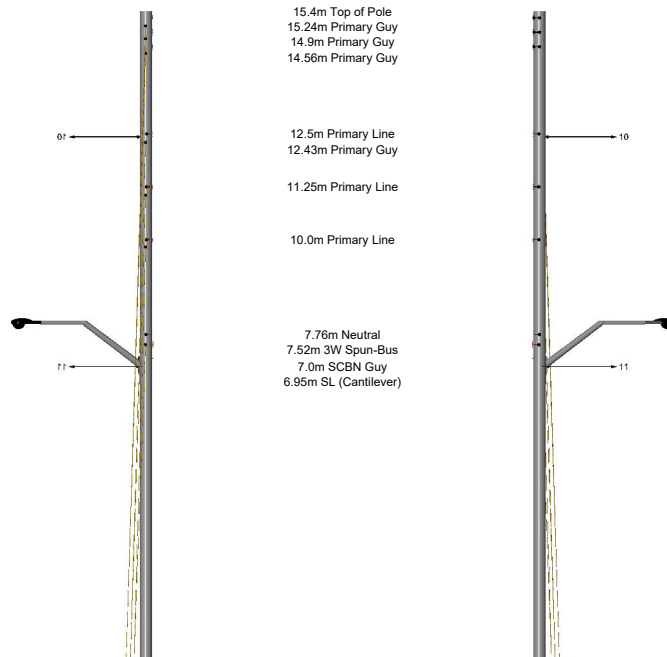
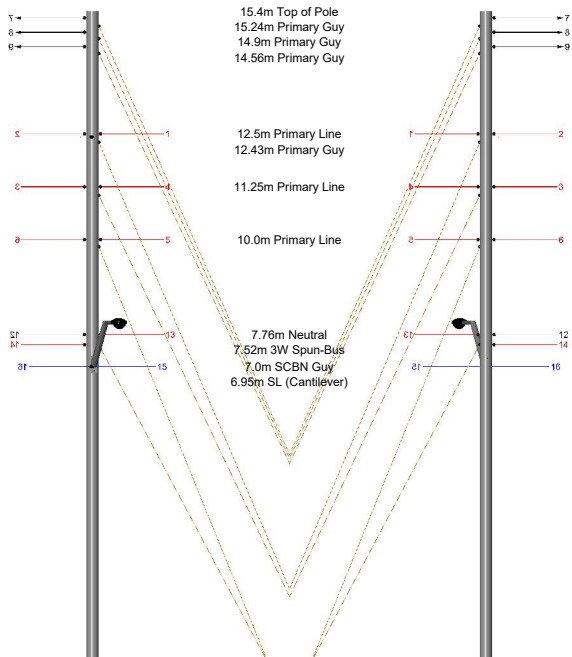


Looking WSW (RS View)

Looking ENE (FS View)

Looking SSE

Looking NNW



LINE ATTACHMENTS

REF	ITEM / CLIENT	LINE 1	LINE 2	T.BOLT	B.BOLT	POSITION	DIRECTION	STRAND GAUGE	CONDUCT AWG	ATTACH TYPE	ANC	DIPS	BND	SLACK	BROK LASH	FL90	Ex Arm	O/S	KV	SW-P	SW-L	SUB	
1	Primary (Tier 1)	12.5m				111° / NNW (DE)	111° / NNW 46.2m to P1a		556 / 0.9"	Dead End													
2		12.5m				282° / SSE (DE)	282° / SSE 45.4m to P2		556 / 0.9"	Dead End	✓												
3	Primary (Tier 2)	11.25m				282° / SSE (DE)	282° / SSE 45.4m to P2		556 / 0.9"	Dead End	✓												
4		11.25m				111° / NNW (DE)	111° / NNW 46.2m to P1a		556 / 0.9"	Dead End													
5	Primary (Tier 3)	10.0m				111° / NNW (DE)	111° / NNW 46.2m to P1a		556 / 0.9"	Dead End													
6		10.0m				282° / SSE (DE)	282° / SSE 45.4m to P2		556 / 0.9"	Dead End	✓												
7	Primary Guy	15.24m				287° / SSE	282° / SSE 45.4m to P2	3/8"			✓												
8	Primary Guy	14.9m				287° / SSE	282° / SSE 45.4m to P2	3/8"			✓												
9	Primary Guy	14.56m				287° / SSE	282° / SSE 45.4m to P2	3/8"			✓												
10	Primary Guy	12.43m				15° / ENE (RS)	16° / ENE 20.55m to P1b	3/8"															
11	SCBN Guy	7.0m				15° / ENE (RS)	16° / ENE 20.55m to P1b	1/4"															
Has yet to transfer																							
12	Neutral	7.76m				287° / SSE	282° / SSE 45.4m to P2		3/0 / 0.5"														
13	3W Spun-Bus	7.76m				107° / NNW	111° / NNW 46.2m to P1a	unlashed	#2 / 0.32"														
14	3W Spun-Bus	7.52m				282° / SSE	282° / SSE 45.4m to P2	unlashed	#2 / 0.32"		✓												
15	SCBN	7.0m				17° / ENE (RS)	111° / NNW 46.2m to P1a	3/8"															
Cable: Cable: (1x) Fibre 0.5"											Has yet to transfer												
16	SCBN	7.0m				17° / ENE (RS)	282° / SSE 45.4m to P2	3/8"															
Cable: Cable: (1x) Fibre 0.5"											Has yet to transfer												

STRUCTURES

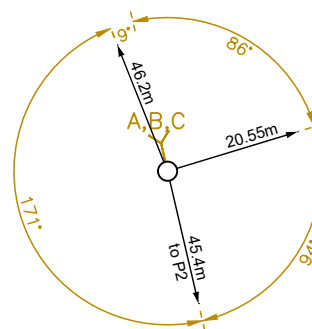
REF	ITEM	TOP	BOTTOM	T.BOLT	B.BOLT	MID HT	PRI DL BUSH HT	SEC DL	WIDTH	DEPTH	DIAM	POSITION	COMPOSITE	DESCRIPTION	QTY	DIPS	BND
17	SL (Cantilever)			7.2m	6.95m			7.23m				29° / ENE (RS)			1		

ANCHORS

REF	CLIENT	DOWN GUY			SLOPE HEIGHT	DIRECTION	ROD					SW STRUT		MARKER		WISH BONE	AUX EYE
		HEIGHT	GAUGE	LEAD			DIAM	EYE	CONSTR	DEV ANG	CONCEALED	HEIGHT	LENGTH	CONSTR	CONDITION		
A	Primary	12.3m	3/8"	5.25m	-	103° / NNW	1"	Triple	1x Piece								
	Primary	11.05m	3/8"														
B	Primary	15.05m	3/8"		-	103° / NNW	1"	Triple	1x Piece								
	Primary	14.75m	3/8"	6.7m													
C	Primary	14.4m	3/8"														
	Secondary	9.83m	3/8"	4.0m	-	103° / NNW	1"	Triple	1x Piece								
		7.52m	3/8"														

DIPS

TOP VIEW



44.35203829496979,-79.67073611068884

Opposite-149 Welham Rd

Surveyor..... Undisclosed

Date Surveyed.. 2020-06-04

Pole ID 1..... P53734

Pole ID 2..... NA

TX Tag(s).....

SW Tag(s)..... S1340881

Owner..... Alectra

Usage..... Joint

Class..... H4

Circumference...-

Height..... 90

Composition..... Wood

Manufacturer.....

Year Mfg.....2017

Year Install.....

Year Inspect.....

Species..... WRC

Preserve..... CCA

Pole Tilt.....

Top of Pole.....23.6m

Lowest Primary..13.75m

Lowest Sec.....3.9m

Lowest SL.....6.8m

Lowest TL.....-

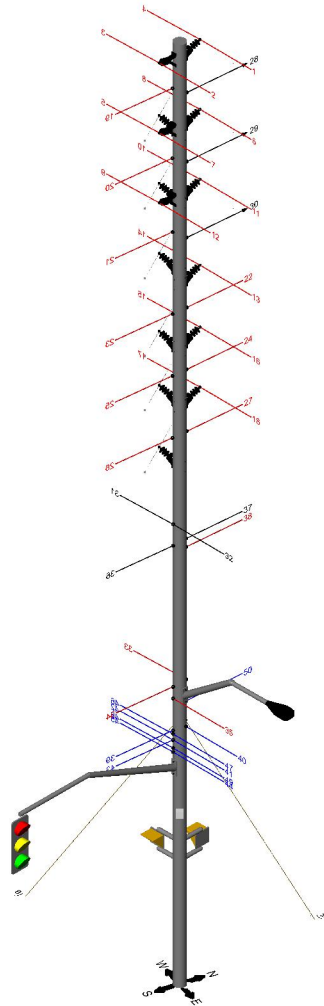
- PT (New Pole)     Has TX
- Has Primary Dip     Has Sec Dip
- Has Primary SW     Has Power VG
- Has In-Line SW(s)     Has Comm VG
- Has Ambiguous Grade

O/S to BOC/EOP 1..  
 O/S to BOC/EOP 2..  
 O/S to SW 1.....  
 O/S to SW 2.....  
 O/S to Fence.....  
 O/S to BOC Tang...  
 Vert O/S to Grade... -  
 Common Grade.....  
 Altitude.....274.06m PDOP:3.36m  
 Condition: Visually OK

Rogers (and their anchors), SCBN, Allstream, TLs and secondary have yet to transfer

Potential anchor: 4.5m to EOP - eastbound

Stub pole 2.1m south

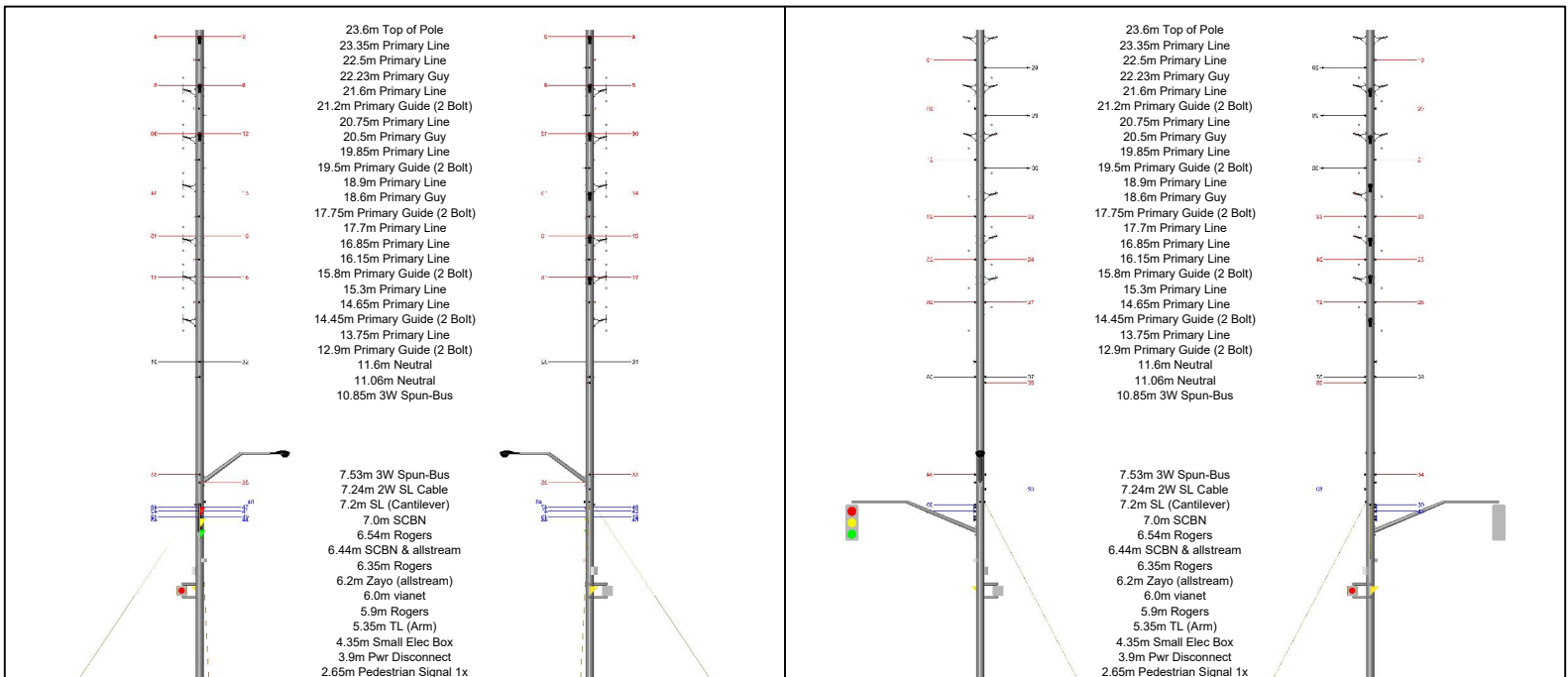


Looking NNW (RS View)

Looking SSE (FS View)

Looking WSW

Looking ENE



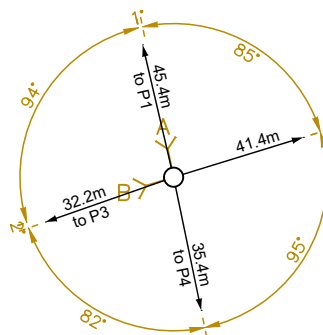
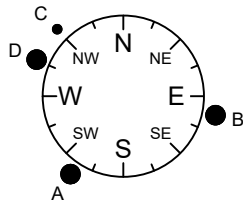
LINE ATTACHMENTS

REL	ITEM / CLIENT	LINE 1	LINE 2	T.BOLT	B.BOLT	POSITION	DIRECTION	STRAND GAUGE	CONDUCT AWG	ATTACH TYPE	ANC	DIPS	BND	SLACK	BROK	LASH	FL90	Ex Arm	O/S	KV	SW-P	SW-L	SUB
1	Primary (Tier 1)	23.35m		23.35m	23.1m	107° / NNW (FS)	16° / ENE 41.4m to P2a		556 / 0.9"	Stand Off 2x Bolt													
2		23.35m		23.35m	23.1m	287° / SSE (RS)	16° / ENE 41.4m to P2a		556 / 0.9"	Stand Off 2x Bolt													
3		23.35m		23.35m	23.1m	287° / SSE (RS)	198° / WSW 32.2m to P3		556 / 0.9"	Stand Off 2x Bolt													
4		23.35m		23.35m	23.1m	107° / NNW (FS)	198° / WSW 32.2m to P3		556 / 0.9"	Stand Off 2x Bolt													
5	Primary (Tier 2)	21.6m		21.6m	21.35m	287° / SSE (RS)	198° / WSW 32.2m to P3		556 / 0.9"	Stand Off 2x Bolt													
6		21.6m		21.6m	21.35m	107° / NNW (FS)	16° / ENE 41.4m to P2a		556 / 0.9"	Stand Off 2x Bolt													
7		21.6m		21.6m	21.35m	287° / SSE (RS)	16° / ENE 41.4m to P2a		556 / 0.9"	Stand Off 2x Bolt													
8		21.6m		21.6m	21.35m	107° / NNW (FS)	198° / WSW 32.2m to P3		556 / 0.9"	Stand Off 2x Bolt													
9	Primary (Tier 3)	19.85m		19.85m	19.6m	287° / SSE (RS)	198° / WSW 32.2m to P3		556 / 0.9"	Stand Off 2x Bolt													
10		19.85m		19.85m	19.6m	107° / NNW (FS)	198° / WSW 32.2m to P3		556 / 0.9"	Stand Off 2x Bolt													
11		19.85m		19.85m	19.6m	107° / NNW (FS)	16° / ENE 41.4m to P2a		556 / 0.9"	Stand Off 2x Bolt													
12		19.85m		19.85m	19.6m	287° / SSE (RS)	16° / ENE 41.4m to P2a		556 / 0.9"	Stand Off 2x Bolt													
13	Primary (Tier 4)	17.7m		17.7m	17.45m	107° / NNW (FS)	16° / ENE 41.4m to P2a		556 / 0.9"	Stand Off 2x Bolt													
14		17.7m		17.7m	17.45m	107° / NNW (FS)	198° / WSW 32.2m to P3		556 / 0.9"	Stand Off 2x Bolt													
15	Primary (Tier 5)	16.15m		16.15m	15.9m	107° / NNW (FS)	198° / WSW 32.2m to P3		556 / 0.9"	Stand Off 2x Bolt													
16		16.15m		16.15m	15.9m	107° / NNW (FS)	16° / ENE 41.4m to P2a		556 / 0.9"	Stand Off 2x Bolt													
17	Primary (Tier 6)	14.65m		14.65m	14.4m	107° / NNW (FS)	198° / WSW 32.2m to P3		556 / 0.9"	Stand Off 2x Bolt													
18		14.65m		14.65m	14.4m	107° / NNW (FS)	16° / ENE 41.4m to P2a		556 / 0.9"	Stand Off 2x Bolt													
19	Primary (Tier 1)	22.5m				281° / S (DE)	281° / S 35.4m to P4		556 / 0.9"	Dead End													
20	Primary (Tier 2)	20.75m				281° / S (DE)	281° / S 35.4m to P4		556 / 0.9"	Dead End													
21	Primary (Tier 3)	18.9m				281° / S (DE)	281° / S 35.4m to P4		556 / 0.9"	Dead End													
22	Primary (Tier 4)	16.85m				102° / NNW (DE)	102° / NNW 45.4m to P1		556 / 0.9"	Dead End													
23		16.85m				281° / S (DE)	281° / S 35.4m to P4		556 / 0.9"	Dead End													
24	Primary (Tier 5)	15.3m				102° / NNW (DE)	102° / NNW 45.4m to P1		556 / 0.9"	Dead End													
25		15.3m				281° / S (DE)	281° / S 35.4m to P4		556 / 0.9"	Dead End													
26	Primary (Tier 6)	13.75m				281° / S (DE)	281° / S 35.4m to P4		556 / 0.9"	Dead End													
27		13.75m				102° / NNW (DE)	102° / NNW 45.4m to P1		556 / 0.9"	Dead End													
28	Primary Guy	22.23m				102° / NNW (FS)	102° / NNW 45.4m to P1	3/8"															
29	Primary Guy	20.5m				102° / NNW (FS)	102° / NNW 45.4m to P1	3/8"															
30	Primary Guy	18.6m				102° / NNW (FS)	102° / NNW 45.4m to P1	3/8"															
31	Neutral	11.6m				287° / SSE (RS)	198° / WSW 32.2m to P3		3/0 / 0.5"														
32	Neutral	11.6m				287° / SSE (RS)	16° / ENE 41.4m to P2a		3/0 / 0.5"														
33	3W Spun-Bus	7.53m				107° / NNW (FS)	198° / WSW 32.2m to P3	unlashed	1/0 / 0.4"				✓										
Has yet to transfer																							
34	2W SL Cable	7.53m				287° / SSE (RS)	281° / S 35.4m to P4	unlashed	#6 / 0.2"														
Has yet to transfer																							
35	2W SL Cable	7.24m				287° / SSE (RS)	16° / ENE 41.4m to P2a	unlashed	#6 / 0.2"														
Has yet to transfer																							
36	Neutral	11.06m				287° / SSE (RS)	281° / S 35.4m to P4		3/0 / 0.5"														
37	Neutral	11.06m				107° / NNW (FS)	102° / NNW 45.4m to P1		3/0 / 0.5"														
38	3W Spun-Bus	10.85m				107° / NNW (FS)	102° / NNW 45.4m to P1	unlashed	#2 / 0.32"														
39	SCBN & allstream	6.44m				287° / SSE (RS)	281° / S 35.4m to P4	1/4"					✓										
Cable: Cable: (1x) Fibre Drop,(1x) Fibre 0.7",(1x) Fibre 0.6",(1x) Fibre 0.5"																							
Has yet to transfer																							
40	Rogers	6.54m				17° / ENE	16° / ENE 41.4m to P2a	3/8"					✓										
Cable: Cable: (1x) Fibre Drop,(1x) Fibre 0.7",(2x) Fibre 0.6"																							
Has yet to transfer																							
41	Zayo (allstream)	6.2m				287° / SSE (RS)	16° / ENE 41.4m to P2a	3/8"															
Cable: Cable: (1x) Fibre 0.8",(1x) Fibre 0.6"																							
Has yet to transfer																							
42	Zayo (allstream)	6.2m				287° / SSE (RS)	198° / WSW 32.2m to P3	3/8"															
Cable: Cable: (1x) Fibre 0.8",(1x) Fibre 0.6"																							
Has yet to transfer																							
43	Rogers	6.2m				287° / SSE (RS)	281° / S 35.4m to P4	1/4"															
Cable: Cable: (1x) Fibre 0.7",(1x) Fibre 0.6",(1x) Coax 750																							
Has yet to transfer																							
44	Rogers	5.9m				287° / SSE (RS)	16° / ENE 41.4m to P2a	3/8"															
Cable: Cable: (1x) Strand Bare Strand																							
Has yet to transfer																							
45	Rogers	5.9m				287° / SSE (RS)	198° / WSW 32.2m to P3	3/8"															
Cable: Cable: (2x) Fibre 0.8"; Equip: 2x Mid-span FOSCs,FOSC																							
Has yet to transfer																							
46	Rogers	6.35m				287° / SSE (RS)	198° / WSW 32.2m to P3	3/8"															
Cable: Cable: (1x) Strand Bare Strand																							
Has yet to transfer																							
47	Rogers	6.35m				287° / SSE (RS)	16° / ENE 41.4m to P2a	3/8"															
Cable: Cable: (1x) Strand Bare Strand																							
Has yet to transfer																							
48	vianet	6.0m				287° / SSE (RS)	198° / WSW 32.2m to P3	1/4"															
Cable: Cable: (1x) Fibre 0.7"																							
Has yet to transfer																							
49	vianet	6.0m				287° / SSE (RS)	16° / ENE 41.4m to P2a	1/4"															
Cable: Cable: (1x) Fibre 0.7"																							
Has yet to transfer																							
50	SCBN	7.0m				107° / NNW (FS)	102° / NNW 45.4m to P1	3/8"															
Cable: Cable: (1x) Fibre 0.5"																							
Has yet to transfer																							

DIPS

TOP VIEW

- A) TL Feed, Mast: 2.0" Conduit, Cov: 3.95m
- B) Pedestrian Signal Feed, Mast: 0.75" Conduit, Cov: 4.15m
- C) Disconnect VG
- D) Utility Feed, Mast: 1.5" Conduit, Cov: 3.9m



STRUCTURES

L R	ITEM	TOP	BOTTOM	T.BOLT	B.BOLT	MID HT	PRI DL BUSH HT	SEC DL	WIDTH	DEPTH	DIAM	POSITION	COMPOSITE	DESCRIPTION	QTY	DIPS	BND
51	Small Elec Box	4.5m	4.35m									332° / ESE			1	✓	
52	Primary Guide (2 Bolt)			21.45m	21.2m							197° / WSW			1		
53	Primary Guide (2 Bolt)			19.75m	19.5m							197° / WSW			1		
54	Primary Guide (2 Bolt)			18.0m	17.75m							197° / WSW			1		
55	Primary Guide (2 Bolt)			16.05m	15.8m							197° / WSW			1		
56	Primary Guide (2 Bolt)			14.7m	14.45m							197° / WSW			1		
57	Primary Guide (2 Bolt)			13.15m	12.9m							197° / WSW			1		
58	Pwr Disconnect	4.15m	3.9m									152° / WNW			1	✓	✓
Has yet to transfer																	
59	SL (Cantilever)			7.45m	7.2m			6.8m				17° / ENE			1		
Has yet to transfer																	
60	TL (Arm)			5.65m	5.35m							287° / SSE (RS)			1		
Has yet to transfer																	
61	Pedestrian Signal 1x			3.1m	2.65m							107° / NNW (FS)			1		
Has yet to transfer																	
62	Pedestrian Signal 1x	3.1m	2.65m									197° / WSW			1		
Has yet to transfer																	

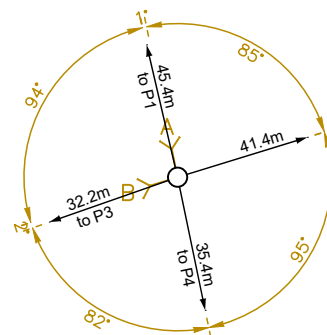
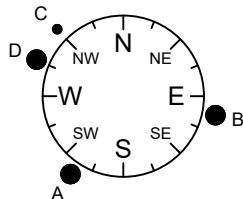
ANCHORS

L R	CLIENT	DOWN GUY			SLOPE HEIGHT	DIRECTION	ROD				SW STRUT		MARKER		WISH BONE	AUX EYE	
		HEIGHT	GAUGE	LEAD			DIAM	EYE	CONSTR	DEV ANG	CONCEALED	HEIGHT	LENGTH	CONSTR			CONDITION
A	SCBN	6.54m	1/4"	3.45m	-	102° / NNW	3/4"	Triple	1x Piece								
Needs new anchor for new pole																	
B	Rogers	6.44m	1/4"	4.3m	-	197° / WSW	3/4"	Triple	1x Piece								
Needs new anchor for new pole																	

DIPS

TOP VIEW

- A) TL Feed, Mast: 2.0" Conduit, Cov: 3.95m
- B) Pedestrian Signal Feed, Mast: 0.75" Conduit, Cov: 4.15m
- C) Disconnect VG
- D) Utility Feed, Mast: 1.5" Conduit, Cov: 3.9m



44.351946647270054,-79.67112120230608

Side-120 Welham Rd

Surveyor..... Undisclosed  
 Date Surveyed.. 2020-06-04  
 Pole ID 1..... P53733  
 Pole ID 2..... NA  
 TX Tag(s).....  
 SW Tag(s).....  
 Owner..... Alectra  
 Usage..... Joint  
 Class..... H3  
 Circumference...-  
 Height..... 85  
 Composition..... Wood  
 Manufacturer.....  
 Year Mfg.....2017  
 Year Install.....  
 Year Inspect.....  
 Species..... WRC  
 Preserve..... CCA  
 Pole Tilt.....

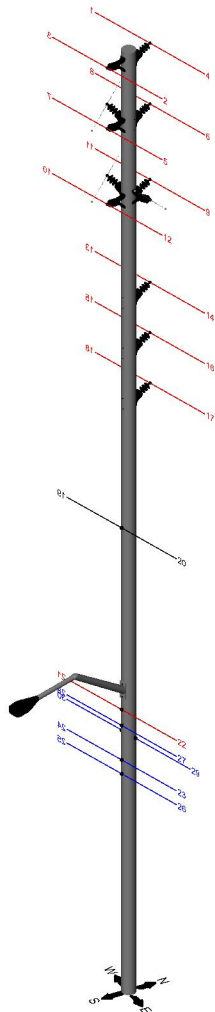
Top of Pole.....22.45m  
 Lowest Primary..14.2m  
 Lowest Sec.....6.65m  
 Lowest SL.....6.65m  
 Lowest TL.....-

- PT (New Pole)     Has TX
- Has Primary Dip     Has Sec Dip
- Has Primary SW     Has Power VG
- Has In-Line SW(s)     Has Comm VG
- Has Ambiguous Grade

O/S to BOC/EOP 1..  
 O/S to BOC/EOP 2..  
 O/S to SW 1.....  
 O/S to SW 2.....  
 O/S to Fence.....  
 O/S to BOC Tang...  
 Vert O/S to Grade... -  
 Common Grade.....  
 Altitude.....

PDOP:

Stub pole 1.1m south

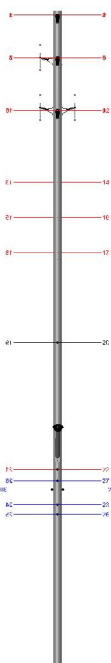


Looking NNW (RS View)

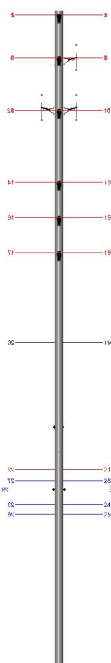
Looking SSE (FS View)

Looking WSW

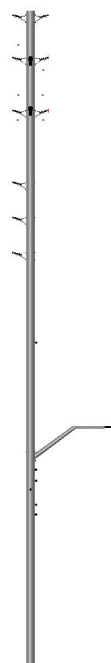
Looking ENE



22.45m Top of Pole  
 22.3m Primary Line  
 20.85m Primary Line  
 20.65m Primary Guide (2 Bolt)  
 19.05m Primary Line  
 18.9m Primary Guide (2 Bolt)  
 16.6m Primary Line  
 15.4m Primary Line  
 14.2m Primary Line  
 11.13m Neutral  
 7.15m SL (Cantilever)  
 6.8m 3W Spun-Bus  
 6.42m Rogers  
 6.12m viaret  
 5.6m Zayo (allstream)  
 5.27m Rogers



22.45m Top of Pole  
 22.3m Primary Line  
 20.85m Primary Line  
 20.65m Primary Guide (2 Bolt)  
 19.05m Primary Line  
 18.9m Primary Guide (2 Bolt)  
 16.6m Primary Line  
 15.4m Primary Line  
 14.2m Primary Line  
 11.13m Neutral  
 7.15m SL (Cantilever)  
 6.8m 3W Spun-Bus  
 6.42m Rogers  
 6.12m viaret  
 5.6m Zayo (allstream)  
 5.27m Rogers



LINE ATTACHMENTS

REL	ITEM / CLIENT	LINE 1	LINE 2	T.BOLT	B.BOLT	POSITION	DIRECTION	STRAND GAUGE	CONDUCT AWG	ATTACH TYPE	ANC	DIPS	BND	SLACK	BROK LASH	FL90	Ex Arm	O/S	KV	SW-P	SW-L	SUB			
1	Primary (Tier 1)	22.3m		22.3m	22.05m	109° / NNW (FS)	199° / WSW 38.3m to P3a		556 / 0.9"	Stand Off 2x Bolt															
2		22.3m		22.3m	22.05m	289° / SSE (RS)	18° / ENE 32.2m to P2		556 / 0.9"	Stand Off 2x Bolt															
3		22.3m		22.3m	22.05m	289° / SSE (RS)	199° / WSW 38.3m to P3a		556 / 0.9"	Stand Off 2x Bolt															
4		22.3m		22.3m	22.05m	109° / NNW (FS)	18° / ENE 32.2m to P2		556 / 0.9"	Stand Off 2x Bolt															
5	Primary (Tier 2)	20.85m		20.85m	20.6m	289° / SSE (RS)	18° / ENE 32.2m to P2		556 / 0.9"	Stand Off 2x Bolt															
6		20.85m		20.85m	20.6m	109° / NNW (FS)	18° / ENE 32.2m to P2		556 / 0.9"	Stand Off 2x Bolt															
7		20.85m		20.85m	20.6m	289° / SSE (RS)	199° / WSW 38.3m to P3a		556 / 0.9"	Stand Off 2x Bolt															
8		20.85m		20.85m	20.6m	109° / NNW (FS)	199° / WSW 38.3m to P3a		556 / 0.9"	Stand Off 2x Bolt															
9	Primary (Tier 3)	19.05m		19.05m	18.8m	109° / NNW (FS)	18° / ENE 32.2m to P2		556 / 0.9"	Stand Off 2x Bolt															
10		19.05m		19.05m	18.8m	289° / SSE (RS)	199° / WSW 38.3m to P3a		556 / 0.9"	Stand Off 2x Bolt															
11		19.05m		19.05m	18.8m	109° / NNW (FS)	199° / WSW 38.3m to P3a		556 / 0.9"	Stand Off 2x Bolt															
12		19.05m		19.05m	18.8m	289° / SSE (RS)	18° / ENE 32.2m to P2		556 / 0.9"	Stand Off 2x Bolt															
13	Primary (Tier 4)	16.6m		16.6m	16.35m	109° / NNW (FS)	199° / WSW 38.3m to P3a		556 / 0.9"	Stand Off 2x Bolt															
14		16.6m		16.6m	16.35m	109° / NNW (FS)	18° / ENE 32.2m to P2		556 / 0.9"	Stand Off 2x Bolt															
15	Primary (Tier 5)	15.4m		15.4m	15.15m	109° / NNW (FS)	199° / WSW 38.3m to P3a		556 / 0.9"	Stand Off 2x Bolt															
16		15.4m		15.4m	15.15m	109° / NNW (FS)	18° / ENE 32.2m to P2		556 / 0.9"	Stand Off 2x Bolt															
17	Primary (Tier 6)	14.2m		14.2m	13.95m	109° / NNW (FS)	18° / ENE 32.2m to P2		556 / 0.9"	Stand Off 2x Bolt															
18		14.2m		14.2m	13.95m	109° / NNW (FS)	199° / WSW 38.3m to P3a		556 / 0.9"	Stand Off 2x Bolt															
19	Neutral	11.13m				288° / SSE (RS)	199° / WSW 38.3m to P3a		3/O / 0.5"																
20	Neutral	11.13m				288° / SSE (RS)	18° / ENE 32.2m to P2		3/O / 0.5"																
21	3W Spun-Bus	6.8m				288° / SSE (RS)	199° / WSW 38.3m to P3a	unlashed	1/O / 0.4"																
Has yet to transfer																									
22	3W Spun-Bus	6.8m				288° / SSE (RS)	18° / ENE 32.2m to P2	unlashed	1/O / 0.4"																
Has yet to transfer																									
23	Zayo (allstream)	5.6m				288° / SSE (RS)	18° / ENE 32.2m to P2	3/8"																	
Cable: Cable: (1x) Fibre 0.8", (1x) Fibre 0.6" Has yet to transfer																									
24	allstream	5.6m				288° / SSE (RS)	199° / WSW 38.3m to P3a	3/8"																	
Cable: Cable: (1x) Fibre 0.8", (1x) Fibre 0.6" Has yet to transfer																									
25	Rogers	5.27m				288° / SSE (RS)	199° / WSW 38.3m to P3a	3/8"																	
Cable: Cable: (1x) Fibre 0.8" Has yet to transfer																									
26	Rogers	5.27m				288° / SSE (RS)	18° / ENE 32.2m to P2	3/8"																	
Cable: Cable: (2x) Fibre 0.8" Has yet to transfer																									
27	Rogers	6.42m				288° / SSE (RS)	18° / ENE 32.2m to P2	3/8"																	
Cable: Cable: (1x) Strand Bare Strand; Equip: LB: 1/2 Span																									
28	Rogers	6.42m				288° / SSE (RS)	199° / WSW 38.3m to P3a	3/8"																	
Cable: Cable: (1x) Fibre 1.2"																									
29	vianet	6.12m				18° / ENE	18° / ENE 32.2m to P2	1/4"																	
Cable: Cable: (1x) Fibre 0.7"																									
30	vianet	6.12m				198° / WSW	199° / WSW 38.3m to P3a	1/4"																	
Cable: Cable: (1x) Fibre 0.7"; Equip: Fibre Coil																									

STRUCTURES

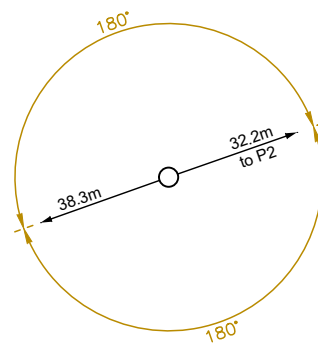
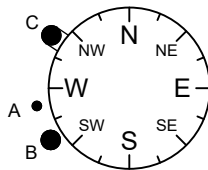
REL	ITEM	TOP	BOTTOM	T.BOLT	B.BOLT	MID HT	PRI DL BUSH HT	SEC DL	WIDTH	DEPTH	DIAM	POSITION	COMPOSITE	DESCRIPTION	QTY	DIPS	BND
31	Primary Guide (2 Bolt)			20.85m	20.65m							198° / WSW			1		
32	Primary Guide (2 Bolt)			19.15m	18.9m							288° / SSE (RS)			2		
33	SL (Cantilever)			7.4m	7.15m			6.65m				288° / SSE (RS)			1		

Has yet to transfer

DIPS

TOP VIEW

- A) Power VG
- B) Rogers FOC, Mast: NA
- C) Rogers FOC, Mast: 2.0" U-Guard, Cov: 2.7m





44.351725514995636,-79.67065302073671

Front-181 Big Bay Point Rd

Surveyor..... Undisclosed  
 Date Surveyed.. 2020-06-04  
 Pole ID 1..... P53737  
 Pole ID 2..... NA  
 TX Tag(s).....  
 SW Tag(s)..... LT1340880  
 Owner..... Alectra  
 Usage..... Joint  
 Class..... H2  
 Circumference...-  
 Height..... 80  
 Composition..... Wood  
 Manufacturer.....  
 Year Mfg..... 2017  
 Year Install.....  
 Year Inspect.....  
 Species..... WRC  
 Preserve..... CCA  
 Pole Tilt.....

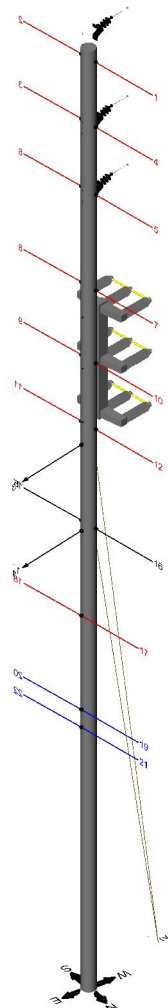
Top of Pole..... 21.32m  
 Lowest Primary.. 12.4m  
 Lowest Sec..... 10.5m  
 Lowest SL..... -  
 Lowest TL..... -

- PT (New Pole)     Has TX
- Has Primary Dip     Has Sec Dip
- Has Primary SW     Has Power VG
- Has In-Line SW(s)     Has Comm VG
- Has Ambiguous Grade

O/S to BOC/EOP 1..  
 O/S to BOC/EOP 2..  
 O/S to SW 1.....  
 O/S to SW 2.....  
 O/S to Fence.....  
 O/S to BOC Tang...  
 Vert O/S to Grade... -  
 Common Grade.....  
 Altitude..... PDOP:  
 Condition: Visually OK

Comm has yet to transfer

Stub pole 1.65m ENE

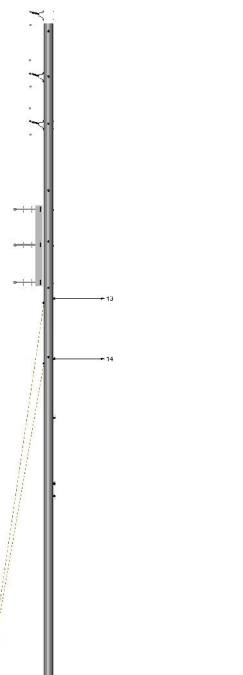
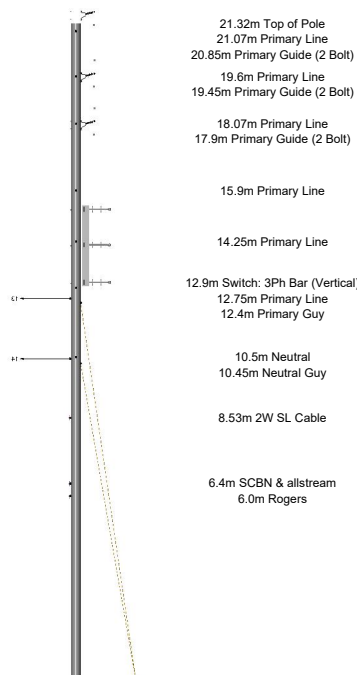
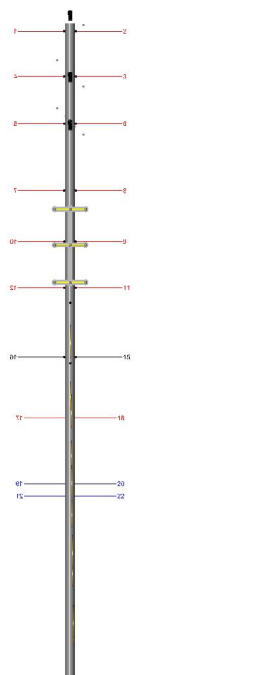
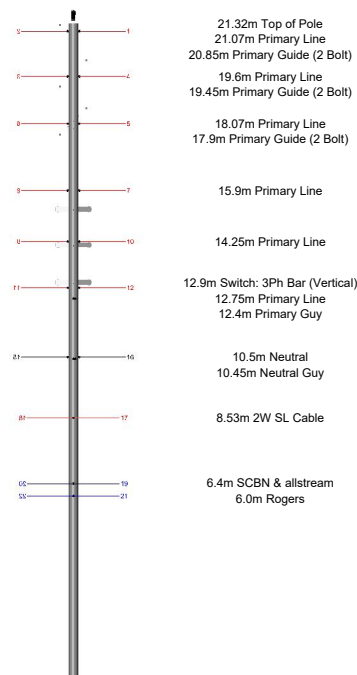


Looking W (RS View)

Looking E (FS View)

Looking S

Looking N



LINE ATTACHMENTS

REL	ITEM / CLIENT	LINE 1	LINE 2	T.BOLT	B.BOLT	POSITION	DIRECTION	STRAND GAUGE	CONDUCT AWG	ATTACH TYPE	ANC	DIPS	BND	SLACK	BROK LASH	FL90	Ex Arm	O/S	KV	SW-P	SW-L	SUB		
1	Primary (Tier 1)	21.07m				101° / N (DE)	101° / N 35.4m to P2		556 / 0.9"	Dead End														
2		21.07m				282° / SSE (DE)	282° / SSE 19.0m to P5		556 / 0.9"	Dead End														
3	Primary (Tier 2)	19.6m				282° / SSE (DE)	282° / SSE 19.0m to P5		556 / 0.9"	Dead End														
4		19.6m				101° / N (DE)	101° / N 35.4m to P2		556 / 0.9"	Dead End														
5	Primary (Tier 3)	18.07m				101° / N (DE)	101° / N 35.4m to P2		556 / 0.9"	Dead End														
6		18.07m				282° / SSE (DE)	282° / SSE 19.0m to P5		556 / 0.9"	Dead End														
7	Primary (Tier 4)	15.9m				101° / N (DE)	101° / N 35.4m to P2		556 / 0.9"	Dead End														
8		15.9m				282° / SSE (DE)	282° / SSE 19.0m to P5		556 / 0.9"	Dead End														
9	Primary (Tier 5)	14.25m				282° / SSE (DE)	282° / SSE 19.0m to P5		556 / 0.9"	Dead End														
10		14.25m				101° / N (DE)	101° / N 35.4m to P2		556 / 0.9"	Dead End														
11	Primary (Tier 6)	12.75m				282° / SSE (DE)	282° / SSE 19.0m to P5		556 / 0.9"	Dead End														
12		12.75m				101° / N (DE)	101° / N 35.4m to P2		556 / 0.9"	Dead End														
13	Primary Guy	12.4m				11° / E (RS)	14° / ENE 22.25m to P4a	3/8"																
	No longer needed																							
14	Neutral Guy	10.45m				11° / E (RS)	14° / ENE 22.25m to P4a	3/8"																
	No longer needed																							
15	Neutral	10.5m				281° / S	282° / SSE 19.0m to P5		336 / 0.7"															
16	Neutral	10.5m				101° / N	101° / N 35.4m to P2		3/O / 0.5"															
17	2W SL Cable	8.53m				11° / E (RS)	101° / N 35.4m to P2	unlashed	#6 / 0.2"															
	Has yet to transfer																							
18	2W SL Cable	8.53m				11° / E (RS)	282° / SSE 19.0m to P5	unlashed	#6 / 0.2"															
	Has yet to transfer																							
19	SCBN & allstream	6.4m				11° / E (RS)	101° / N 35.4m to P2	1/4"																
	Cable: Cable: (1x) Fibre Drop,(1x) Fibre 0.7",(1x) Fibre 0.6",(1x) Fibre 0.5" Has yet to transfer																							
20	SCBN & allstream	6.4m				11° / E (RS)	282° / SSE 19.0m to P5	1/4"																
	Cable: Cable: (1x) Fibre Drop,(1x) Fibre 0.7",(1x) Fibre 0.6",(1x) Fibre 0.5" Has yet to transfer																							
21	Rogers	6.0m				11° / E (RS)	101° / N 35.4m to P2	1/4"																
	Cable: Cable: (1x) Fibre 0.7",(1x) Fibre 0.6",(1x) Coax 750 Has yet to transfer																							
22	Rogers	6.0m				11° / E (RS)	282° / SSE 19.0m to P5	1/4"																
	Cable: Cable: (1x) Fibre 0.7",(1x) Fibre 0.6",(1x) Coax 750 Has yet to transfer																							

STRUCTURES

REF	ITEM	TOP	BOTTOM	T.BOLT	B.BOLT	MID HT	PRI DL BUSH HT	SEC DL	WIDTH	DEPTH	DIAM	POSITION	COMPOSITE	DESCRIPTION	QTY	DIPS	BND
23	Primary Guide (2 Bolt)			21.7m	20.85m							191° / W (FS)			1		
24	Primary Guide (2 Bolt)			19.7m	19.45m							191° / W (FS)			1		
25	Primary Guide (2 Bolt)			18.15m	17.9m							191° / W (FS)			1		
26	Switch: 3Ph Bar (Vertical)			15.15m	12.9m							191° / W (FS)		Pole Pos: 236° / SW	1		

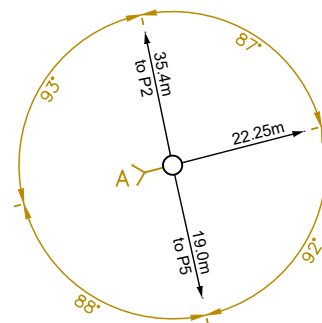
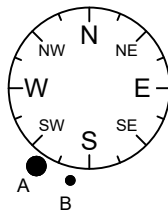
ANCHORS

REL	CLIENT	DOWN GUY			SLOPE HEIGHT	DIRECTION	ROD				SW STRUT		MARKER		WISH BONE	AUX EYE
		HEIGHT	GAUGE	LEAD			DIAM	EYE	CONSTR	DEV ANG	CONCEALED	HEIGHT	LENGTH	CONSTR		
A	Primary	12.26m	3/8"	1.8m	-	195° / WSW	1"	Triple	1x Piece							
	Neutral	10.3m	3/8"													

DIPS

TOP VIEW

- A) Switch Pole, Mast: NA
- B) Power VG



44.35155261388308,-79.67060340051442

Front-181 Big Bay Point Rd

Surveyor..... Undisclosed

Date Surveyed.. 2020-06-04

Pole ID 1..... P53738

Pole ID 2..... NA

TX Tag(s).....

SW Tag(s)..... SU1340879

Owner..... Alectra

Usage..... Joint

Class..... H3

Circumference...-

Height..... 75

Composition..... Wood

Manufacturer.....

Year Mfg.....2017

Year Install.....

Year Inspect.....

Species..... WRC

Preserve..... CCA

Pole Tilt.....

Top of Pole.....20.05m

Lowest Primary..9.55m

Lowest Sec.....7.97m

Lowest SL.....8.0m

Lowest TL.....-

- PT (New Pole)     Has TX
- Has Primary Dip     Has Sec Dip
- Has Primary SW     Has Power VG
- Has In-Line SW(s)     Has Comm VG
- Has Ambiguous Grade

O/S to BOC/EOP 1..

O/S to BOC/EOP 2..

O/S to SW 1.....

O/S to SW 2.....

O/S to Fence.....

O/S to BOC Tang...

Vert O/S to Grade... -

Common Grade.....

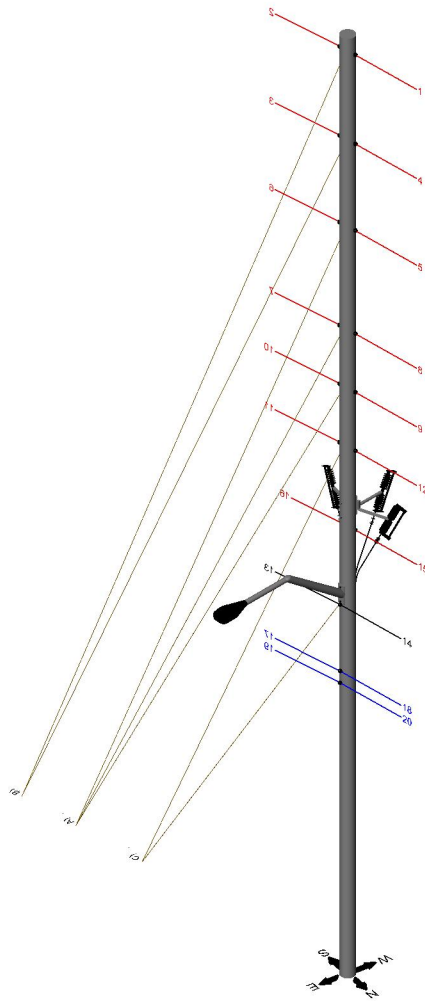
Altitude.....

PDOP:

Condition: Visually OK

Comm has yet to transfer

Stub pole 1.5m east

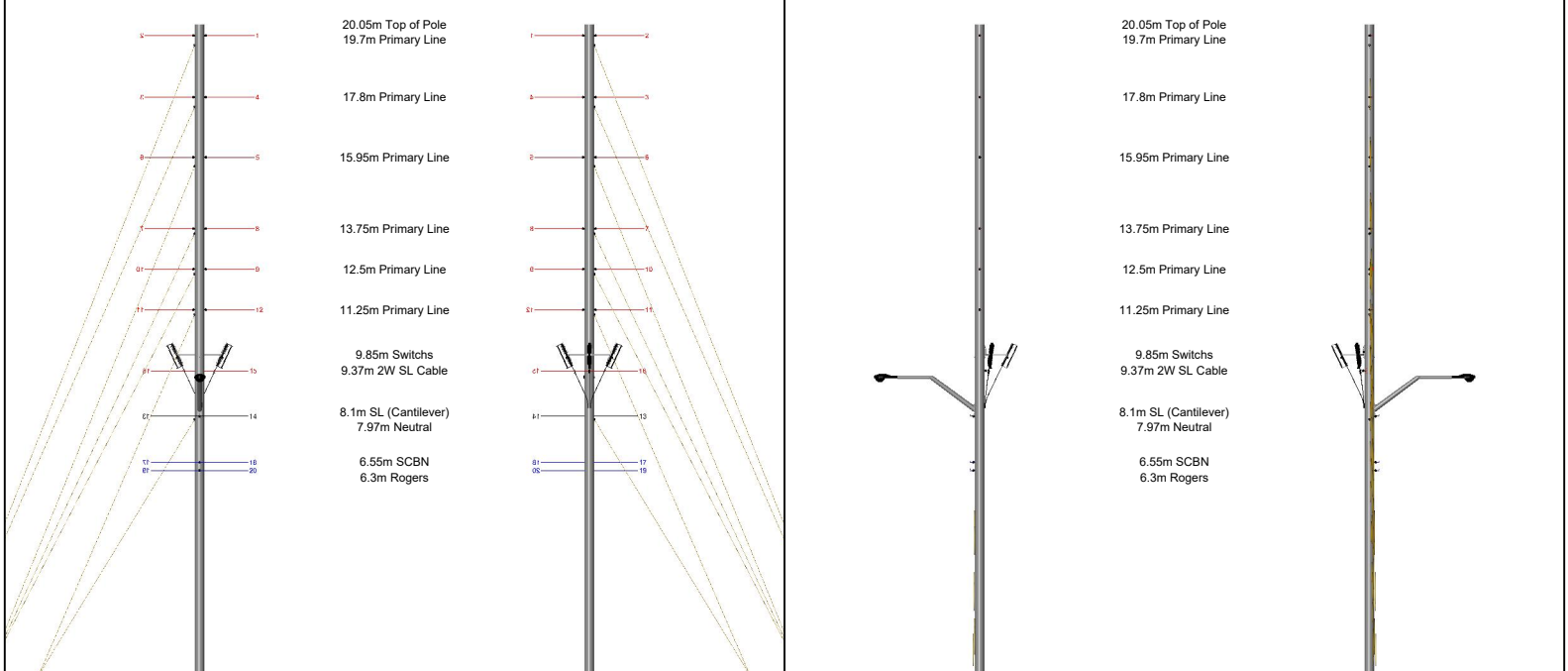


Looking W (RS View)

Looking E (FS View)

Looking S

Looking N



LINE ATTACHMENTS

REL	ITEM / CLIENT	LINE 1	LINE 2	T.BOLT	B.BOLT	POSITION	DIRECTION	STRAND GAUGE	CONDUCT AWG	ATTACH TYPE	ANC	DIPS	BND	SLACK	BROK LASH	FL90	Ex Arm	O/S	kV	SW-P	SW-L	SUB		
1	Primary (Tier 1)	19.7m				102° / NNW (DE)	102° / NNW 19.0m to P4		556 / 0.9"	Dead End	✓													
2		19.7m				285° / SSE (DE)	285° / SSE 53.5m to P6		556 / 0.9"	Dead End														
3	Primary (Tier 2)	17.8m				285° / SSE (DE)	285° / SSE 53.5m to P6		556 / 0.9"	Dead End														
4		17.8m				102° / NNW (DE)	102° / NNW 19.0m to P4		556 / 0.9"	Dead End	✓													
5	Primary (Tier 3)	15.95m				102° / NNW (DE)	102° / NNW 19.0m to P4		556 / 0.9"	Dead End	✓													
6		15.95m				285° / SSE (DE)	285° / SSE 53.5m to P6		556 / 0.9"	Dead End														
7	Primary (Tier 4)	13.75m				285° / SSE (DE)	285° / SSE 53.5m to P6		556 / 0.9"	Dead End														
8		13.75m				102° / NNW (DE)	102° / NNW 19.0m to P4		556 / 0.9"	Dead End	✓													
9	Primary (Tier 5)	12.5m				102° / NNW (DE)	102° / NNW 19.0m to P4		556 / 0.9"	Dead End	✓													
10		12.5m				285° / SSE (DE)	285° / SSE 53.5m to P6		556 / 0.9"	Dead End														
11	Primary (Tier 6)	11.25m				285° / SSE (DE)	285° / SSE 53.5m to P6		556 / 0.9"	Dead End														
12		11.25m				102° / NNW (DE)	102° / NNW 19.0m to P4		556 / 0.9"	Dead End	✓													
13	Neutral	7.97m				11° / E (RS)	285° / SSE 53.5m to P6		336 / 0.7"															
14	Neutral	7.97m				11° / E (RS)	102° / NNW 19.0m to P4		336 / 0.7"		✓													
15	2W SL Cable Has yet to transfer	9.37m				191° / W (FS)	102° / NNW 19.0m to P4	unlashed	#6 / 0.2"															
16	2W SL Cable Has yet to transfer	9.37m				191° / W (FS)	285° / SSE 53.5m to P6	unlashed	#6 / 0.2"															
17	SCBN Cable: Cable: (1x) Fibre 0.6", (1x) Fibre 0.5"; Equip: FOSC	6.55m				11° / E (RS)	285° / SSE 53.5m to P6	1/4"																
18	SCBN & allstream Cable: Cable: (1x) Fibre Drop, (1x) Fibre 0.7", (1x) Fibre 0.6", (1x) Fibre 0.5"	6.55m				11° / E (RS)	102° / NNW 19.0m to P4	1/4"																
19	Rogers Cable: Cable: (1x) Fibre 0.7", (1x) Fibre 0.6", (1x) Coax 750	6.3m				11° / E (RS)	285° / SSE 53.5m to P6	1/4"																
20	Rogers Cable: Cable: (1x) Fibre 0.7", (1x) Fibre 0.6", (1x) Coax 750	6.3m				11° / E (RS)	102° / NNW 19.0m to P4	1/4"																

STRUCTURES

REL	ITEM	TOP	BOTTOM	T.BOLT	B.BOLT	MID HT	PRI DL BUSH HT	SEC DL	WIDTH	DEPTH	DIAM	POSITION	COMPOSITE	DESCRIPTION	QTY	DIPS	BND
21	Switches			10.1m	9.85m							191° / W (FS)		Pole Pos: 99° / N	3	✓	✓
22	SL (Cantilever)			8.33m	8.1m			8.0m				11° / E (RS)			1		

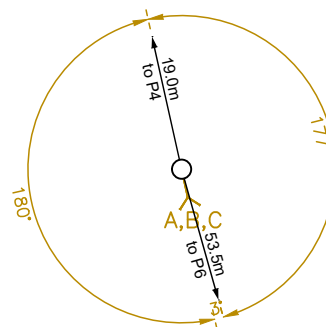
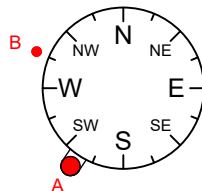
ANCHORS

REL	CLIENT	DOWN GUY			SLOPE HEIGHT	DIRECTION	ROD				SW STRUT		MARKER		WISH BONE	AUX EYE	
		HEIGHT	GAUGE	LEAD			DIAM	EYE	CONSTR	DEV ANG	CONCEALED	HEIGHT	LENGTH	CONSTR			CONDITION
A	Primary	15.67m	3/8"		-	282° / SSE	1"	Triple	1x Piece								
	Primary	13.6m	3/8"	6.4m													
	Primary	12.35m	3/8"														
B	Primary	19.4m	3/8"		-	282° / SSE	1"	Triple	1x Piece								
	Primary	17.5m	3/8"	7.7m													
C	Primary	11.1m	3/8"		-	282° / SSE	1"	Triple	1x Piece								
	Neutral	7.87m	3/8"	4.8m													

DIPS

TOP VIEW

- A) 3Ph Pri Dip, Mast: 4.0" U-Guard, Cov: 8.5m
- B) Primary VG





LINE ATTACHMENTS

REL	ITEM / CLIENT	LINE 1	LINE 2	T.BOLT	B.BOLT	POSITION	DIRECTION	STRAND GAUGE	CONDUCT AWG	ATTACH TYPE	ANC	DIPS	BND	SLACK	BROK LASH	FL90	Ex Arm	O/S	kV	SW-P	SW-L	SUB			
1	Primary (Tier 1)	17.05m		17.05m	16.8m	10° / E (RS)	105° / NNW 53.5m to P5		556 / 0.9"	Stand Off 2x Bolt															
2		17.05m		17.05m	16.8m	10° / E (RS)	274° / S 52.0m to P8		556 / 0.9"	Stand Off 2x Bolt															
3		17.05m		17.05m	16.8m	190° / W (FS)	274° / S 52.0m to P8		556 / 0.9"	Stand Off 2x Bolt															
4		17.05m		17.05m	16.8m	190° / W (FS)	105° / NNW 53.5m to P5		556 / 0.9"	Stand Off 2x Bolt															
5	Primary (Tier 2)	15.45m		15.45m	15.2m	10° / E (RS)	105° / NNW 53.5m to P5		556 / 0.9"	Stand Off 2x Bolt															
6		15.45m		15.45m	15.2m	10° / E (RS)	274° / S 52.0m to P8		556 / 0.9"	Stand Off 2x Bolt															
7	Primary (Tier 3)	13.15m		13.15m	12.9m	190° / W (FS)	105° / NNW 53.5m to P5		556 / 0.9"	Stand Off 2x Bolt															
8		13.15m		13.15m	12.9m	190° / W (FS)	274° / S 52.0m to P8		556 / 0.9"	Stand Off 2x Bolt															
9		13.15m		13.15m	12.9m	10° / E (RS)	274° / S 52.0m to P8		556 / 0.9"	Stand Off 2x Bolt															
10		13.15m		13.15m	12.9m	10° / E (RS)	105° / NNW 53.5m to P5		556 / 0.9"	Stand Off 2x Bolt															
11	Primary (Tier 4)	11.9m		11.9m	11.65m	190° / W (FS)	105° / NNW 53.5m to P5		556 / 0.9"	Stand Off 2x Bolt															
12		11.9m		11.9m	11.65m	190° / W (FS)	274° / S 52.0m to P8		556 / 0.9"	Stand Off 2x Bolt															
13	Primary Guy	16.47m				9° / E (RS)	9° / E 12.9m to P7	3/8"																	
14	Primary Guy	12.57m				9° / E (RS)	9° / E 12.9m to P7	3/8"																	
15	Neutral Guy	8.53m				9° / E (RS)	9° / E 12.9m to P7	3/8"																	
16	Rogers Guy	6.7m				9° / E (RS)	9° / E 12.9m to P7	1/4"																	
Has yet to be transferred																									
17	Neutral	8.8m				10° / E (RS)	274° / S 52.0m to P8		336 / 0.7"																
18	Neutral	8.8m				10° / E (RS)	105° / NNW 53.5m to P5		336 / 0.7"																
19	2W SL Cable	8.75m				190° / W (FS)	274° / S 52.0m to P8	unlashed	#6 / 0.2"																
Has yet to transfer																									
20	2W SL Cable	8.75m				190° / W (FS)	105° / NNW 53.5m to P5	unlashed	#6 / 0.2"																
Has yet to transfer																									
21	SCBN	6.95m				10° / E (RS)	274° / S 52.0m to P8	1/4"																	
Cable: Cable: (1x) Fibre 0.6", (1x) Fibre 0.5" Has yet to transfer																									
22	SCBN	6.95m				10° / E (RS)	105° / NNW 53.5m to P5	1/4"																	
Cable: Cable: (1x) Fibre 0.6", (1x) Fibre 0.5" Has yet to transfer																									
23	Rogers	6.7m				10° / E (RS)	274° / S 52.0m to P8	1/4"																	
Cable: Cable: (1x) Fibre 0.7", (1x) Fibre 0.6", (1x) Coax 750 Has yet to transfer																									
24	Rogers	6.7m				10° / E (RS)	105° / NNW 53.5m to P5	1/4"																	
Cable: Cable: (1x) Fibre 0.7", (1x) Fibre 0.6", (1x) Coax 750 Has yet to transfer																									

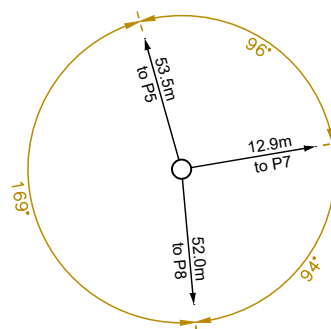
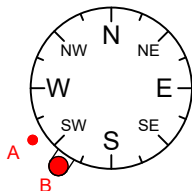
STRUCTURES

REL	ITEM	TOP	BOTTOM	T.BOLT	B.BOLT	MID HT	PRI DL BUSH HT	SEC DL	WIDTH	DEPTH	DIAM	POSITION	COMPOSITE	DESCRIPTION	QTY	DIPS	BND
25	SL (Cantilever)			8.5m	8.25m			7.75m				10° / E (RS)			1		
Has yet to transfer																	
26	Switches			10.85m	10.6m							280° / S		Pole Pos: 99° / N	3	✓	✓

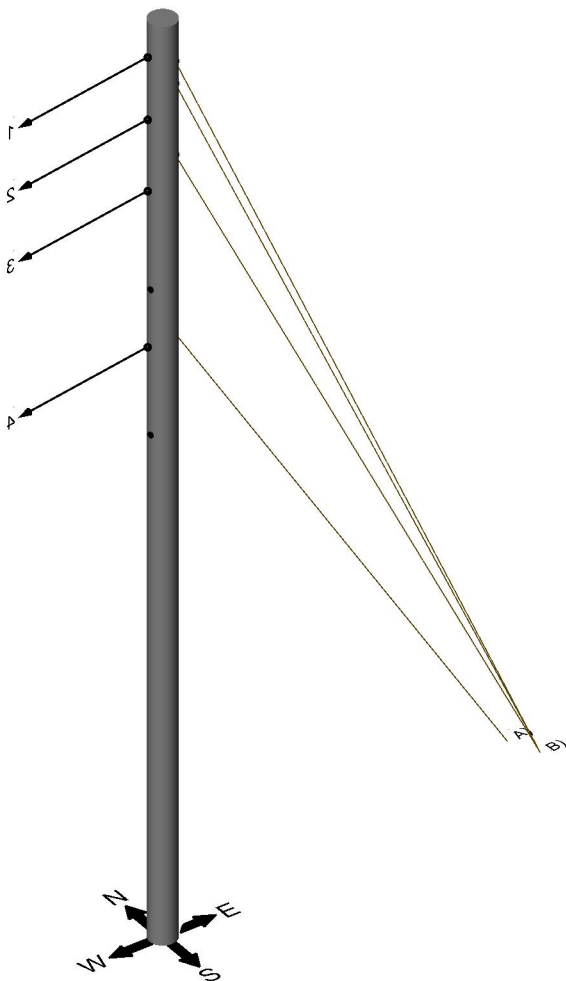
DIPS

TOP VIEW

- A) Primary VG
- B) 3Ph Pri Dip, Mast: 4.0" U-Guard, Cov: 9.44m



44.35110455385816,-79.67027136819287  
 Front-421 Welham Rd  
 Surveyor..... Undisclosed  
 Date Surveyed.. 2020-06-04  
 Pole ID 1..... P6137  
 Pole ID 2..... NA  
 TX Tag(s).....  
 SW Tag(s).....  
 Owner..... Alectra  
 Usage..... Joint  
 Class..... B  
 Circumference...-  
 Height.....40  
 Composition..... Concrete  
 Manufacturer.....  
 Year Mfg.....  
 Year Install.....  
 Year Inspect.....  
 Species.....  
 Preserve.....  
 Pole Tilt.....  
 Top of Pole..... 10.3m  
 Lowest Primary...-  
 Lowest Sec.....-  
 Lowest SL.....-  
 Lowest TL.....-  
 PT  Has TX  
 Has Primary Dip  Has Sec Dip  
 Has Primary SW  Has Power VG  
 Has In-Line SW(s)  Has Comm VG  
 Has Ambiguous Grade  
 O/S to BOC/EOP 1..  
 O/S to BOC/EOP 2..  
 O/S to SW 1.....  
 O/S to SW 2.....  
 O/S to Fence.....  
 O/S to BOC Tang...  
 Vert O/S to Grade... -  
 Common Grade.....  
 Altitude..... - PDOP:  
 Condition: Visually OK

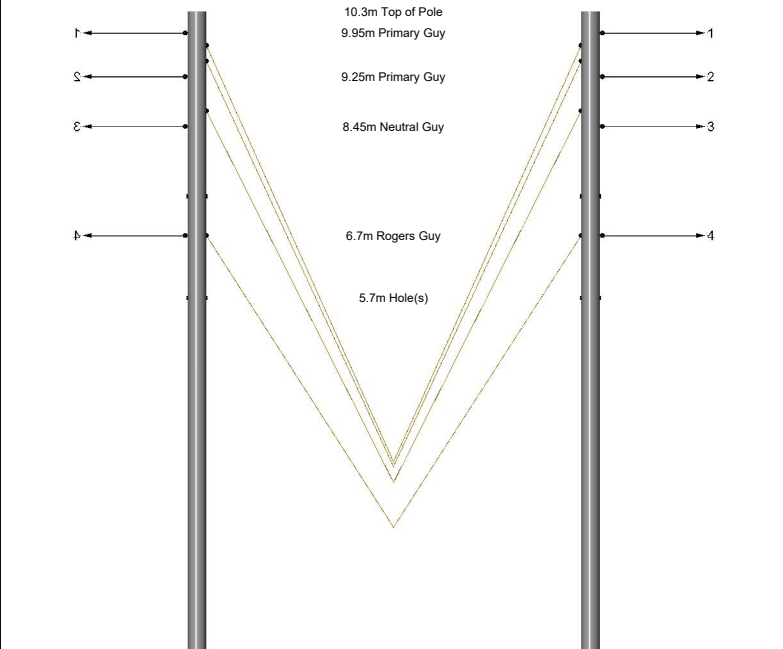
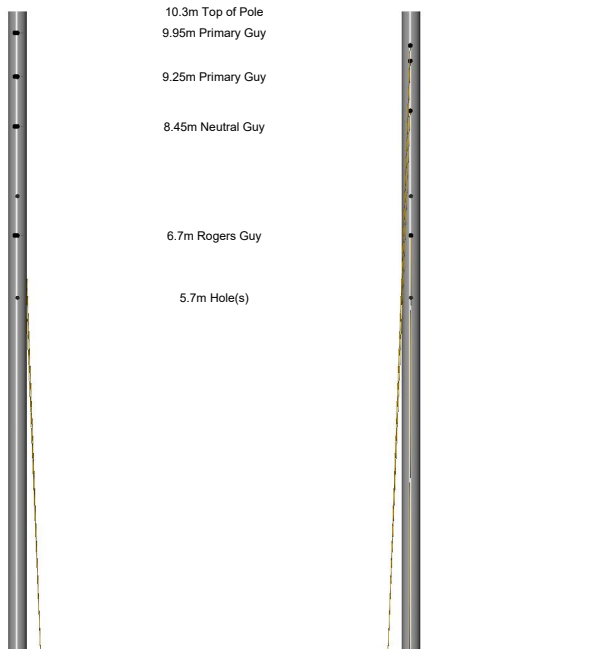


Looking E (RS View)

Looking W (FS View)

Looking N

Looking S



LINE ATTACHMENTS

REF	ITEM / CLIENT	LINE 1	LINE 2	T.BOLT	B.BOLT	POSITION	DIRECTION	STRAND GAUGE	CONDUCT AWG	ATTACH TYPE	ANC	DIPS	BND	SLACK	BROK LASH	FL90	Ex Arm	O/S	kV	SW-P	SW-L	SUB	
1	Primary Guy	9.95m				189° / W (RS)	189° / W 12.9m to P6	3/8"			✓												
2	Primary Guy	9.25m				189° / W (RS)	189° / W 12.9m to P6	3/8"			✓												
3	Neutral Guy	8.45m				189° / W (RS)	189° / W 12.9m to P6	3/8"			✓												
4	Rogers Guy	6.7m				189° / W (RS)	189° / W 12.9m to P6	1/4"			✓												

STRUCTURES

REF	ITEM	TOP	BOTTOM	T.BOLT	B.BOLT	MID HT	PRI DL BUSH HT	SEC DL	WIDTH	DEPTH	DIAM	POSITION	COMPOSITE	DESCRIPTION	QTY	DIPS	BND
5	Hole(s)											190° / W (RS)			1		

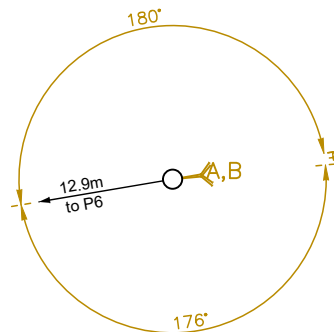
Heights: 5.7m, 7.33m

ANCHORS

REF	CLIENT	DOWN GUY			SLOPE HEIGHT	DIRECTION	ROD					SW STRUT		MARKER		WISH BONE	AUX EYE
		HEIGHT	GAUGE	LEAD			DIAM	EYE	CONSTR	DEV ANG	CONCEALED	HEIGHT	LENGTH	CONSTR	CONDITION		
A	Rogers	6.7m	1/4"	4.3m	-	10° / E	11/16"	Twin	2x Piece								
B	Primary	9.75m	3/8"	4.4m	-	5° / E	7/8"	Twin	1x Piece								
	Primary	9.5m	3/8"														
	Neutral	8.7m	3/8"														

DIPS

TOP VIEW





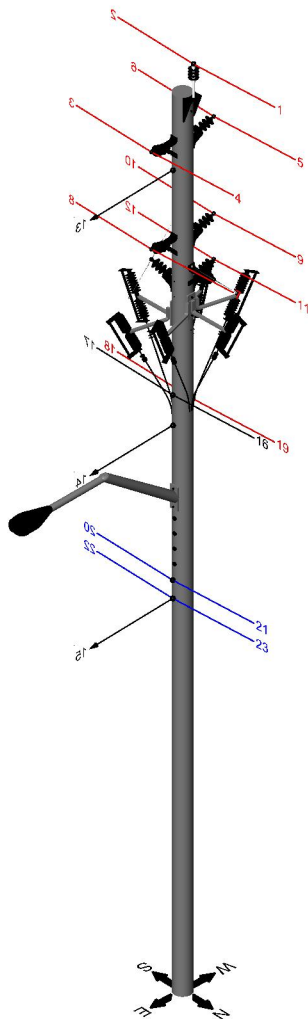
44.350618383832156,-79.6703832338815  
Front-414 Welham Rd

Surveyor..... Undisclosed  
Date Surveyed.. 2020-06-04  
Pole ID 1..... P6138  
Pole ID 2..... NA  
TX Tag(s).....  
SW Tag(s)..... SUT 4927  
Owner..... Alectra  
Usage..... Joint  
Class..... G  
Circumference...-  
Height..... 55  
Composition..... Concrete  
Manufacturer.....  
Year Mfg..... 1984  
Year Install.....  
Year Inspect.....  
Species.....  
Preserve.....  
Pole Tilt.....

Top of Pole..... 14.8m  
Lowest Primary..10.7m  
Lowest Sec.....9.9m  
Lowest SL.....8.05m  
Lowest TL.....-

- PT  Has TX
- Has Primary Dip  Has Sec Dip
- Has Primary SW  Has Power VG
- Has In-Line SW(s)  Has Comm VG
- Has Ambiguous Grade

O/S to BOC/EOP 1..  
O/S to BOC/EOP 2..  
O/S to SW 1.....  
O/S to SW 2.....  
O/S to Fence.....  
O/S to BOC Tang...  
Vert O/S to Grade... -  
Common Grade.....  
Altitude..... PDOP:  
Condition: Visually OK

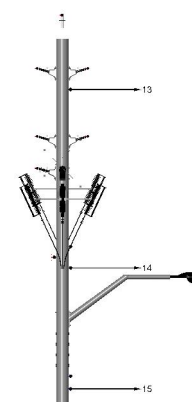
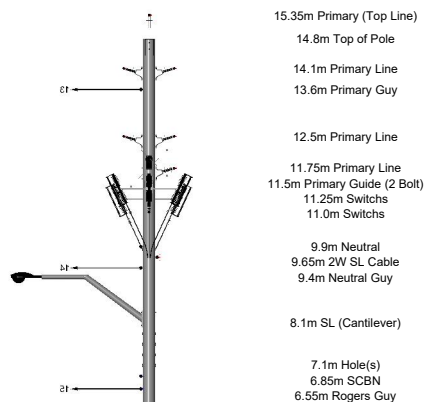
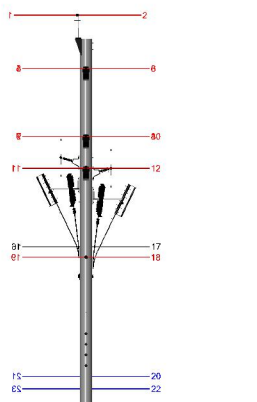
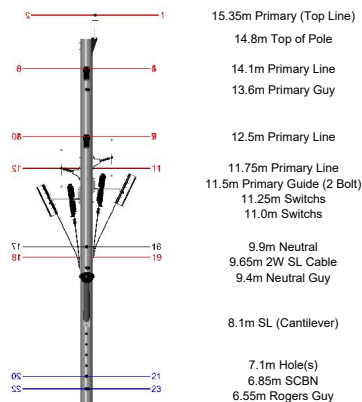


Looking W (RS View)

Looking E (FS View)

Looking S

Looking N



LINE ATTACHMENTS

REL	ITEM / CLIENT	LINE 1	LINE 2	T.BOLT	B.BOLT	POSITION	DIRECTION	STRAND GAUGE	CONDUCT AWG	ATTACH TYPE	ANC	DIPS	BND	SLACK	BROK LASH	FL90	Ex Arm	O/S	kV	SW-P	SW-L	SUB			
1	Primary (Top Line)	15.35m				94° / N	94° / N 52.0m to P6		556 / 0.9"	Stand Off 2x Bolt															
2	Primary (Top Line)	15.35m				94° / N	270° / S 53.3m to P10		556 / 0.9"	Stand Off 2x Bolt															
3	Primary (Tier 1)	14.1m		14.1m	13.85m	2° / E (RS)	270° / S 53.3m to P10		556 / 0.9"	Stand Off 2x Bolt															
4		14.1m		14.1m	13.85m	2° / E (RS)	94° / N 52.0m to P6		556 / 0.9"	Stand Off 2x Bolt															
5		14.1m		14.1m	13.85m	182° / W (FS)	94° / N 52.0m to P6		556 / 0.9"	Stand Off 2x Bolt															
6		14.1m		14.1m	13.85m	182° / W (FS)	270° / S 53.3m to P10		556 / 0.9"	Stand Off 2x Bolt															
7	Primary (Tier 2)	12.5m		12.5m	12.25m	2° / E (RS)	94° / N 52.0m to P6		556 / 0.9"	Stand Off 2x Bolt															
8		12.5m		12.5m	12.25m	2° / E (RS)	270° / S 53.3m to P10		556 / 0.9"	Stand Off 2x Bolt															
9		12.5m		12.5m	12.25m	182° / W (FS)	94° / N 52.0m to P6		556 / 0.9"	Stand Off 2x Bolt															
10		12.5m		12.5m	12.25m	182° / W (FS)	270° / S 53.3m to P10		556 / 0.9"	Stand Off 2x Bolt															
11	Primary (Tier 3)	11.75m		11.75m	11.5m	182° / W (FS)	94° / N 52.0m to P6		556 / 0.9"	Stand Off 2x Bolt															
12		11.75m		11.75m	11.5m	182° / W (FS)	270° / S 53.3m to P10		556 / 0.9"	Stand Off 2x Bolt															
13	Primary Guy	13.6m				4° / E (RS)	4° / E 13.1m to P9	5/16"																	
14	Neutral Guy	9.4m				4° / E (RS)	4° / E 13.1m to P9	5/16"																	
15	Rogers Guy	6.55m				4° / E (RS)	4° / E 13.1m to P9	1/4"																	
16	Neutral	9.9m				2° / E (RS)	94° / N 52.0m to P6		336 / 0.7"																
17	Neutral	9.9m				2° / E (RS)	270° / S 53.3m to P10		336 / 0.7"																
18	2W SL Cable	9.65m				182° / W (FS)	270° / S 53.3m to P10	unlashed	#6 / 0.2"																
19	2W SL Cable	9.65m				182° / W (FS)	94° / N 52.0m to P6	unlashed	#6 / 0.2"																
20	SCBN	6.85m				2° / E (RS)	270° / S 53.3m to P10	1/4"																	
Cable: Cable: (1x) Fibre 0.6"																									
21	SCBN	6.85m				2° / E (RS)	94° / N 52.0m to P6	1/4"																	
Cable: Cable: (1x) Fibre 0.6", (1x) Fibre 0.5"																									
22	Rogers	6.55m				2° / E (RS)	270° / S 53.3m to P10	1/4"																	
Cable: Cable: (1x) Fibre 0.7", (1x) Fibre 0.6", (1x) Coax 750; Equip: LB: 1/2 Span, LB: Full Span																									
23	Rogers	6.55m				2° / E (RS)	94° / N 52.0m to P6	1/4"																	
Cable: Cable: (1x) Fibre 0.7", (1x) Fibre 0.6", (1x) Coax 750																									

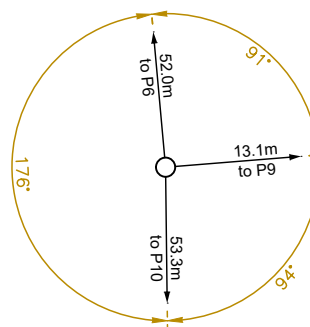
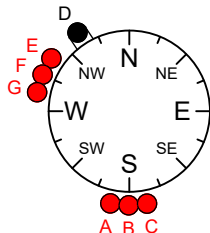
STRUCTURES

REL	ITEM	TOP	BOTTOM	T.BOLT	B.BOLT	MID HT	PRI DL BUSH HT	SEC DL	WIDTH	DEPTH	DIAM	POSITION	COMPOSITE	DESCRIPTION	QTY	DIPS	BND
24	Hole(s)											2° / E (RS)			1		
Heights: 7.1m, 7.35m, 7.6m, 7.85m																	
25	Primary Guide (2 Bolt)			12.0m	11.75m							92° / N			1		
26	Primary Guide (2 Bolt)			11.75m	11.5m							272° / S			1		
27	Switchs			11.5m	11.25m							92° / N		Pole Pos: 99° / N	3	✓	✓
28	Switchs			11.25m	11.0m							272° / S		Pole Pos: 99° / N	3	✓	✓
29	SL (Cantilever)			8.35m	8.1m			8.05m				2° / E (RS)			1		

DIPS

TOP VIEW

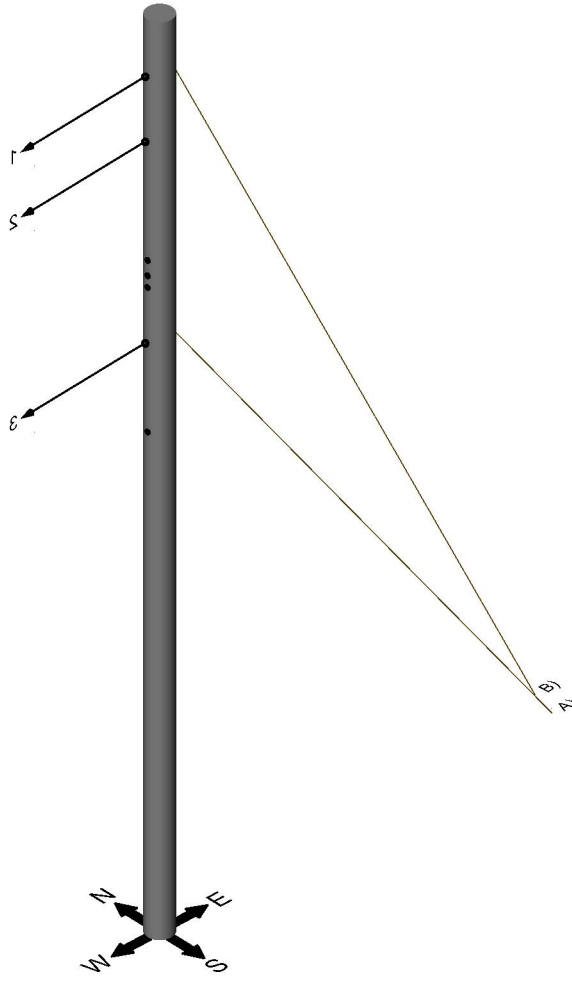
- A) 1Ph Pri Dip, Mast: 2.0" Conduit, Cov: 8.35m
- B) 1Ph Pri Dip, Mast: 2.0" Conduit, Cov: 8.5m
- C) 1Ph Pri Dip, Mast: 2.0" Conduit, Cov: 8.6m
- D) SCBN FOC, Mast: 2.0" U-Guard, Cov: 4.55m
- E) 1Ph Pri Dip, Mast: 2.0" Conduit, Cov: 10.1m
- F) 1Ph Pri Dip, Mast: 2.0" Conduit, Cov: 10.0m
- G) 1Ph Pri Dip, Mast: 2.0" Conduit, Cov: 10.0m



44.35062596033629,-79.67021886790597  
 Front-421 Welham Rd  
 Surveyor..... Undisclosed  
 Date Surveyed.. 2020-06-04  
 Pole ID 1..... P6139  
 Pole ID 2..... NA  
 TX Tag(s).....  
 SW Tag(s).....  
 Owner..... Alectra  
 Usage..... Joint  
 Class..... E  
 Circumference...-  
 Height.....40  
 Composition..... Concrete  
 Manufacturer.....  
 Year Mfg.....  
 Year Install.....  
 Year Inspect.....  
 Species.....  
 Preserve.....  
 Pole Tilt.....  
**Top of Pole..... 10.16m**  
**Lowest Primary...-**  
**Lowest Sec.....-**  
**Lowest SL.....-**  
**Lowest TL.....-**

PT  Has TX  
 Has Primary Dip  Has Sec Dip  
 Has Primary SW  Has Power VG  
 Has In-Line SW(s)  Has Comm VG  
 Has Ambiguous Grade

O/S to BOC/EOP 1..  
 O/S to BOC/EOP 2..  
 O/S to SW 1.....  
 O/S to SW 2.....  
 O/S to Fence.....  
 O/S to BOC Tang...  
 Vert O/S to Grade... -  
 Common Grade.....  
 Altitude..... PDOP:  
 Condition: Visually OK

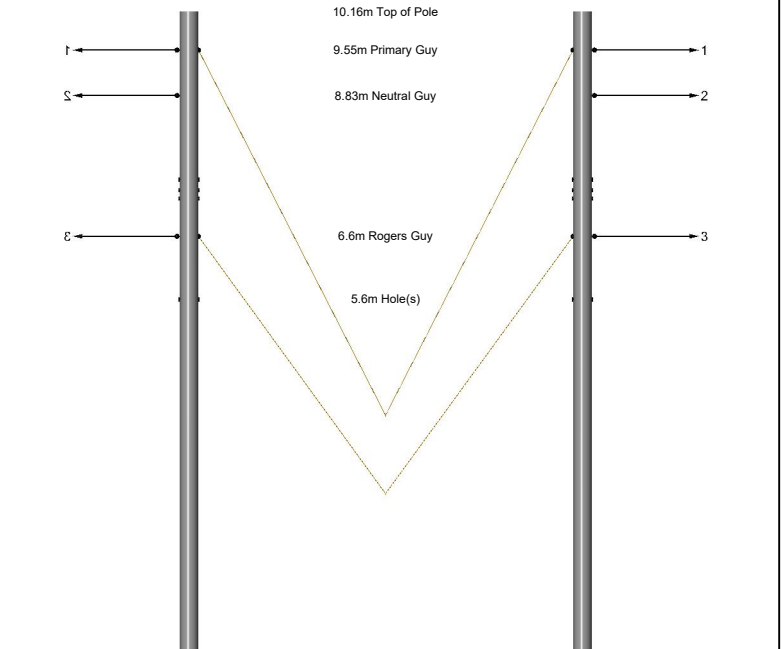
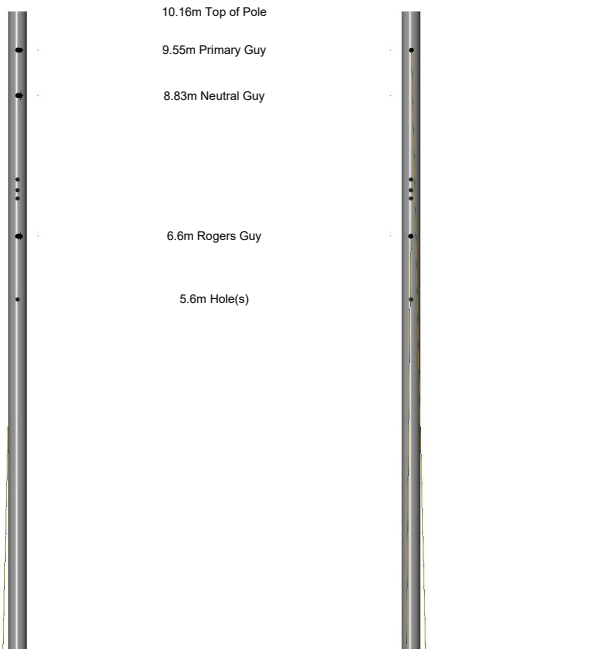


Looking E (RS View)

Looking W (FS View)

Looking N

Looking S



LINE ATTACHMENTS

REF	ITEM / CLIENT	LINE 1	LINE 2	T.BOLT	B.BOLT	POSITION	DIRECTION	STRAND GAUGE	CONDUCT AWG	ATTACH TYPE	ANC	DIPS	BND	SLACK	BROK LASH	FL90	Ex Arm	O/S	KV	SW-P	SW-L	SUB	
1	Primary Guy	9.55m				184° / W (RS)	184° / W 13.1m to P8	5/16"			✓												
2	Neutral Guy	8.83m				184° / W (RS)	184° / W 13.1m to P8	5/16"			✓												
3	Rogers Guy	6.6m				184° / W (RS)	184° / W 13.1m to P8	1/4"			✓												

STRUCTURES

REF	ITEM	TOP	BOTTOM	T.BOLT	B.BOLT	MID HT	PRI DL BUSH HT	SEC DL	WIDTH	DEPTH	DIAM	POSITION	COMPOSITE	DESCRIPTION	QTY	DIPS	BND
4	Hole(s)											182° / W (RS)			1		

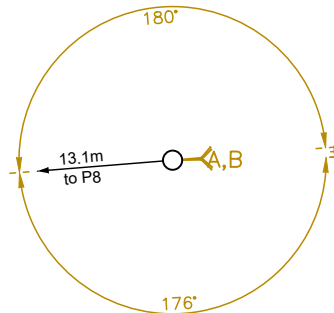
Heights: 5.6m, 7.2m, 7.33m, 7.5m

ANCHORS

REF	CLIENT	DOWN GUY			SLOPE HEIGHT	DIRECTION	ROD				SW STRUT		MARKER		WISH BONE	AUX EYE
		HEIGHT	GAUGE	LEAD			DIAM	EYE	CONSTR	DEV ANG	CONCEALED	HEIGHT	LENGTH	CONSTR		
A	Rogers	6.6m	1/4"	4.8m	-	1° / E	11/16"	Twin	2x Piece							
B	Power	9.55m	5/16"	4.9m	-	5° / E	7/8"	Twin	2x Piece							

DIPS

TOP VIEW



44.35013790829026,-79.67038614954248

Front-420 Welham Rd

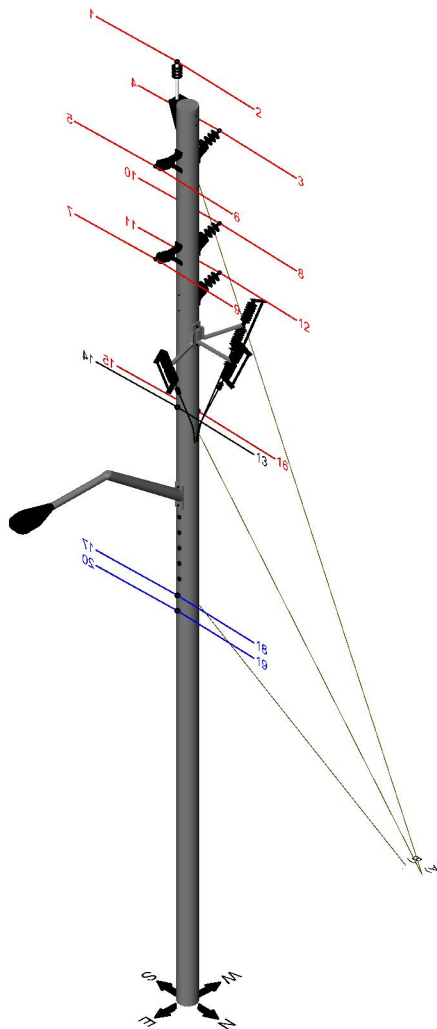
Surveyor..... Undisclosed  
 Date Surveyed.. 2020-06-04  
 Pole ID 1..... P6143  
 Pole ID 2..... NA  
 TX Tag(s).....  
 SW Tag(s)..... SUT 2592  
 Owner..... Alectra  
 Usage..... Joint  
 Class..... G  
 Circumference...-  
 Height..... 55  
 Composition..... Concrete  
 Manufacturer.....  
 Year Mfg..... 1984  
 Year Install.....  
 Year Inspect.....  
 Species.....  
 Preserve.....  
 Pole Tilt.....

Top of Pole..... 14.5m  
 Lowest Primary..10.45m  
 Lowest Sec.....9.7m  
 Lowest SL.....8.07m  
 Lowest TL.....-

- PT
- Has Primary Dip
- Has Primary SW
- Has In-Line SW(s)
- Has Ambiguous Grade
- Has TX
- Has Sec Dip
- Has Power VG
- Has Comm VG

O/S to BOC/EOP 1..  
 O/S to BOC/EOP 2..  
 O/S to SW 1.....  
 O/S to SW 2.....  
 O/S to Fence.....  
 O/S to BOC Tang...  
 Vert O/S to Grade... -  
 Common Grade.....  
 Altitude.....  
 Condition: Visually OK

PDOP:

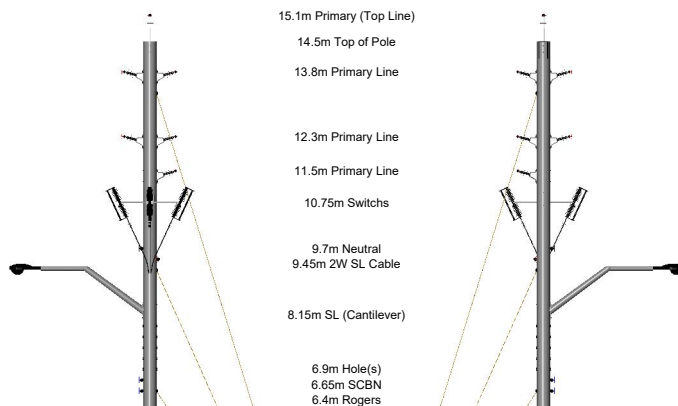
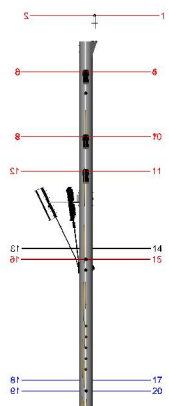
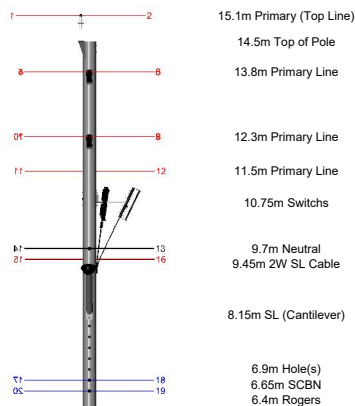


Looking W (RS View)

Looking E (FS View)

Looking S

Looking N



LINE ATTACHMENTS

REL	ITEM / CLIENT	LINE 1	LINE 2	T.BOLT	B.BOLT	POSITION	DIRECTION	STRAND GAUGE	CONDUCT AWG	ATTACH TYPE	ANC	DIPS	BND	SLACK	BROK	FL90	Ex Arm	O/S	KV	SW-P	SW-L	SUB				
1	Primary (Top Line)	15.1m				271° / S	273° / S 45.6m to P11		556 / 0.9"	Stand Off 2x Bolt	✓															
2	Primary (Top Line)	15.1m				271° / S	90° / N 53.3m to P8		556 / 0.9"		✓															
3	Primary (Tier 1)	13.8m		13.8m	13.55m	181° / W (FS)	90° / N 53.3m to P8		556 / 0.9"	Stand Off 2x Bolt	✓															
4		13.8m		13.8m	13.55m	181° / W (FS)	273° / S 45.6m to P11		556 / 0.9"	Stand Off 2x Bolt	✓															
5		13.8m		13.8m	13.55m	1° / E (RS)	273° / S 45.6m to P11		556 / 0.9"	Stand Off 2x Bolt	✓															
6		13.8m		13.8m	13.55m	1° / E (RS)	90° / N 53.3m to P8		556 / 0.9"	Stand Off 2x Bolt	✓															
7	Primary (Tier 2)	12.3m		12.3m	12.05m	1° / E (RS)	273° / S 45.6m to P11		556 / 0.9"	Stand Off 2x Bolt	✓															
8		12.3m		12.3m	12.05m	181° / W (FS)	90° / N 53.3m to P8		556 / 0.9"	Stand Off 2x Bolt	✓															
9		12.3m		12.3m	12.05m	1° / E (RS)	90° / N 53.3m to P8		556 / 0.9"	Stand Off 2x Bolt	✓															
10		12.3m		12.3m	12.05m	181° / W (FS)	273° / S 45.6m to P11		556 / 0.9"	Stand Off 2x Bolt	✓															
11	Primary (Tier 3)	11.5m		11.5m	11.25m	181° / W (FS)	273° / S 45.6m to P11		556 / 0.9"	Stand Off 2x Bolt	✓															
12		11.5m		11.5m	11.25m	181° / W (FS)	90° / N 53.3m to P8		556 / 0.9"	Stand Off 2x Bolt	✓															
13	Neutral	9.7m				2° / E (RS)	90° / N 53.3m to P8		336 / 0.7"		✓		✓													
14	Neutral	9.7m				2° / E (RS)	273° / S 45.6m to P11		336 / 0.7"		✓		✓													
15	2W SL Cable	9.45m				182° / W (FS)	273° / S 45.6m to P11	unlashed	#6 / 0.2"																	
16	2W SL Cable	9.45m				182° / W (FS)	90° / N 53.3m to P8	unlashed	#6 / 0.2"																	
17	SCBN	6.65m				2° / E (RS)	273° / S 45.6m to P11	1/4"																		
Cable: Cable: (1x) Fibre 0.6"																										
18	SCBN	6.65m				2° / E (RS)	90° / N 53.3m to P8	1/4"																		
Cable: Cable: (1x) Fibre 0.6"																										
19	Rogers	6.4m				2° / E (RS)	90° / N 53.3m to P8	1/4"				✓														
Cable: Cable: (1x) Fibre 0.7",(1x) Fibre 0.6",(1x) Coax 750; Equip: LB: Full Span																										
20	Rogers	6.4m				2° / E (RS)	273° / S 45.6m to P11	1/4"				✓														
Cable: Cable: (1x) Fibre 0.7",(1x) Fibre 0.6",(1x) Coax 750																										

STRUCTURES

REL	ITEM	TOP	BOTTOM	T.BOLT	B.BOLT	MID HT	PRI DL BUSH HT	SEC DL	WIDTH	DEPTH	DIAM	POSITION	COMPOSITE	DESCRIPTION	QTY	DIPS	BND
21	Hole(s)											2° / E (RS)			1		
Heights: 6.9m, 7.15m, 7.4m, 7.65m, 7.9m																	
22	SL (Cantilever)			8.4m	8.15m			8.07m				2° / E (RS)			1		
23	Switches			11.0m	10.75m							92° / N		Pole Pos: 99° / N	3	✓	✓

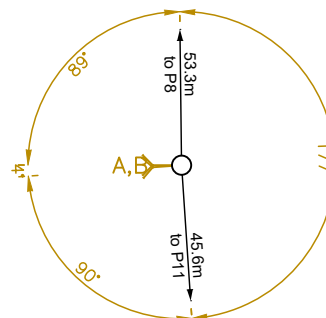
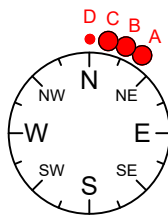
ANCHORS

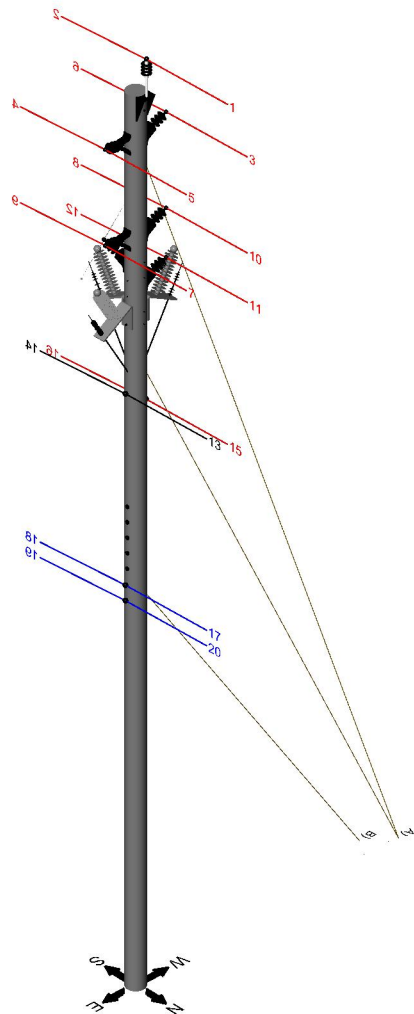
REL	CLIENT	DOWN GUY			SLOPE HEIGHT	DIRECTION	ROD				SW STRUT		MARKER		WISH BONE	AUX EYE
		HEIGHT	GAUGE	LEAD			DIAM	EYE	CONSTR	DEV ANG	CONCEALED	HEIGHT	LENGTH	CONSTR		
A	Primary	13.3m	5/16"	4.1m	-	180° / W	7/8"	Twin	2x Piece							
	Secondary	9.2m	5/16"													
B	Rogers	6.4m	1/4"	4.1m	-	184° / W	11/16"	Twin	2x Piece							

DIPS

TOP VIEW

- A) 1Ph Pri Dip, Mast: 2.0" Conduit, Cov: 7.35m
- B) 1Ph Pri Dip, Mast: 2.0" Conduit, Cov: 8.0m
- C) 1Ph Pri Dip, Mast: 2.0" Conduit, Cov: 7.2m
- D) Primary VG





44.34972808245055,-79.67035710354517  
Front-420 Welham Rd

Surveyor..... Undisclosed  
Date Surveyed.. 2020-06-04  
Pole ID 1..... P6144  
Pole ID 2..... NA  
TX Tag(s).....  
SW Tag(s)..... SUT 2594 / 100  
Owner..... Alectra  
Usage..... Joint  
Class..... G  
Circumference...-  
Height..... 55  
Composition..... Concrete  
Manufacturer.....  
Year Mfg.....  
Year Install.....  
Year Inspect.....  
Species.....  
Preserve.....  
Pole Tilt.....

Top of Pole..... 14.45m  
Lowest Primary..10.4m  
Lowest Sec.....9.64m  
Lowest SL.....-  
Lowest TL.....-

- PT  Has TX
- Has Primary Dip  Has Sec Dip
- Has Primary SW  Has Power VG
- Has In-Line SW(s)  Has Comm VG
- Has Ambiguous Grade

O/S to BOC/EOP 1..  
O/S to BOC/EOP 2..  
O/S to SW 1.....  
O/S to SW 2.....  
O/S to Fence.....  
O/S to BOC Tang...  
Vert O/S to Grade... -  
Common Grade.....  
Altitude.....  
Condition: Visually OK

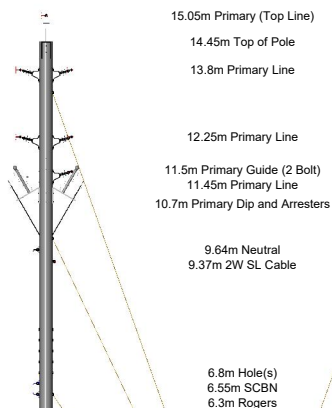
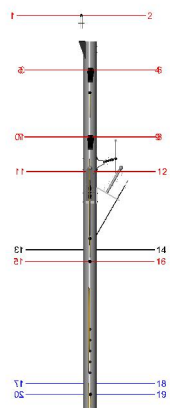
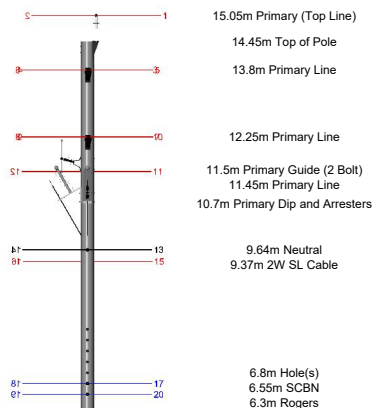
PDOP:

Looking W (RS View)

Looking E (FS View)

Looking S

Looking N



LINE ATTACHMENTS

REL	ITEM / CLIENT	LINE 1	LINE 2	T.BOLT	B.BOLT	POSITION	DIRECTION	STRAND GAUGE	CONDUCT AWG	ATTACH TYPE	ANC	DIPS	BND	SLACK	BROK LASH	FL90	Ex Arm	O/S	KV	SW-P	SW-L	SUB		
1	Primary (Top Line)	15.05m				93° / N	93° / N 45.6m to P10		556 / 0.9"		✓													
2	Primary (Top Line)	15.05m				93° / N	276° / S 45.2m to P12		556 / 0.9"	Stand Off 2x Bolt	✓													
3	Primary (Tier 1)	13.8m		13.8m	13.55m	184° / W (FS)	93° / N 45.6m to P10		556 / 0.9"	Stand Off 2x Bolt	✓													
4		13.8m		13.8m	13.55m	4° / E (RS)	276° / S 45.2m to P12		556 / 0.9"	Stand Off 2x Bolt	✓													
5		13.8m		13.8m	13.55m	4° / E (RS)	93° / N 45.6m to P10		556 / 0.9"	Stand Off 2x Bolt	✓													
6		13.8m		13.8m	13.55m	184° / W (FS)	276° / S 45.2m to P12		556 / 0.9"	Stand Off 2x Bolt	✓													
7	Primary (Tier 2)	12.25m		12.25m	12.0m	4° / E (RS)	93° / N 45.6m to P10		556 / 0.9"	Stand Off 2x Bolt	✓													
8		12.25m		12.25m	12.0m	184° / W (FS)	276° / S 45.2m to P12		556 / 0.9"	Stand Off 2x Bolt	✓													
9		12.25m		12.25m	12.0m	4° / E (RS)	276° / S 45.2m to P12		556 / 0.9"	Stand Off 2x Bolt	✓													
10	Primary (Tier 3)	12.25m		12.25m	12.0m	184° / W (FS)	93° / N 45.6m to P10		556 / 0.9"	Stand Off 2x Bolt	✓													
11		11.45m		11.45m	11.2m	184° / W (FS)	93° / N 45.6m to P10		556 / 0.9"	Stand Off 2x Bolt	✓													
12		11.45m		11.45m	11.2m	184° / W (FS)	276° / S 45.2m to P12		556 / 0.9"	Stand Off 2x Bolt	✓													
13	Neutral	9.64m				2° / E (RS)	93° / N 45.6m to P10		336 / 0.7"		✓		✓											
14	Neutral	9.64m				2° / E (RS)	276° / S 45.2m to P12		336 / 0.7"		✓		✓											
15	2W SL Cable	9.37m				182° / W (FS)	93° / N 45.6m to P10	unlashed	#6 / 0.2"															
16	2W SL Cable	9.37m				182° / W (FS)	276° / S 45.2m to P12	unlashed	#6 / 0.2"															
17	SCBN	6.55m				2° / E (RS)	93° / N 45.6m to P10	1/4"																
Cable: Cable: (1x) Fibre 0.6"																								
18	SCBN	6.55m				2° / E (RS)	276° / S 45.2m to P12	1/4"																
Cable: Cable: (1x) Fibre 0.6"																								
19	Rogers	6.3m				2° / E (RS)	276° / S 45.2m to P12	1/4"				✓												
Cable: Cable: (1x) Fibre 0.7",(1x) Fibre 0.6",(1x) Coax 750																								
20	Rogers	6.3m				2° / E (RS)	93° / N 45.6m to P10	1/4"				✓												
Cable: Cable: (1x) Fibre 0.7",(1x) Fibre 0.6",(1x) Coax 750																								

STRUCTURES

REL	ITEM	TOP	BOTTOM	T.BOLT	B.BOLT	MID HT	PRI DL BUSH HT	SEC DL	WIDTH	DEPTH	DIAM	POSITION	COMPOSITE	DESCRIPTION	QTY	DIPS	BND
21	Hole(s)											2° / E (RS)			1		
Heights: 6.8m, 7.05m, 7.3m, 7.55m, 7.8m																	
22	Primary Guide (2 Bolt)				11.75m	11.5m						272° / S			1		
23	Primary Dip and Arresters				10.95m	10.7m						272° / S			3	✓	✓

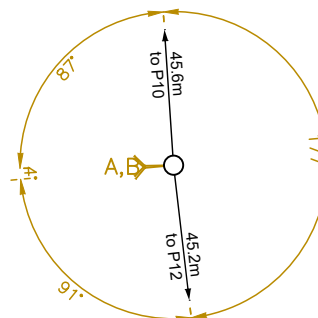
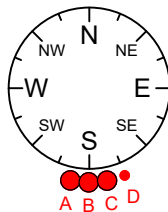
ANCHORS

REL	CLIENT	DOWN GUY			SLOPE HEIGHT	DIRECTION	ROD				SW STRUT		MARKER		WISH BONE	AUX EYE
		HEIGHT	GAUGE	LEAD			DIAM	EYE	CONSTR	DEV ANG	CONCEALED	HEIGHT	LENGTH	CONSTR		
A	Primary	13.27m	5/16"	4.7m	-	181° / W	7/8"	Twin	2x Piece							
	Secondary	9.9m	5/16"													
B	Rogers	6.3m	1/4"	4.3m	-	185° / W	11/16"	Twin	2x Piece							

DIPS

TOP VIEW

- A) 1Ph Pri Dip, Mast: 2.0" Conduit, Cov: 8.67m
- B) 1Ph Pri Dip, Mast: 2.0" Conduit, Cov: 8.77m
- C) 1Ph Pri Dip, Mast: 2.0" Conduit, Cov: 8.72m
- D) Primary VG





44.349323352756144,-79.67030085815868

Front-426-448 Welham Rd

Surveyor..... Undisclosed

Date Surveyed.. 2020-06-04

Pole ID 1..... P6145

Pole ID 2..... NA

TX Tag(s).....

SW Tag(s).....

Owner..... Alectra

Usage..... Joint

Class..... G

Circumference...-

Height..... 55

Composition..... Concrete

Manufacturer.....

Year Mfg..... 1984

Year Install.....

Year Inspect.....

Species.....

Preserve.....

Pole Tilt.....

Top of Pole..... 14.75m

Lowest Primary.. 11.75m

Lowest Sec..... 9.95m

Lowest SL..... 9.1m

Lowest TL.....-

- PT  Has TX
- Has Primary Dip  Has Sec Dip
- Has Primary SW  Has Power VG
- Has In-Line SW(s)  Has Comm VG
- Has Ambiguous Grade

O/S to BOC/EOP 1..

O/S to BOC/EOP 2..

O/S to SW 1.....

O/S to SW 2.....

O/S to Fence.....

O/S to BOC Tang...

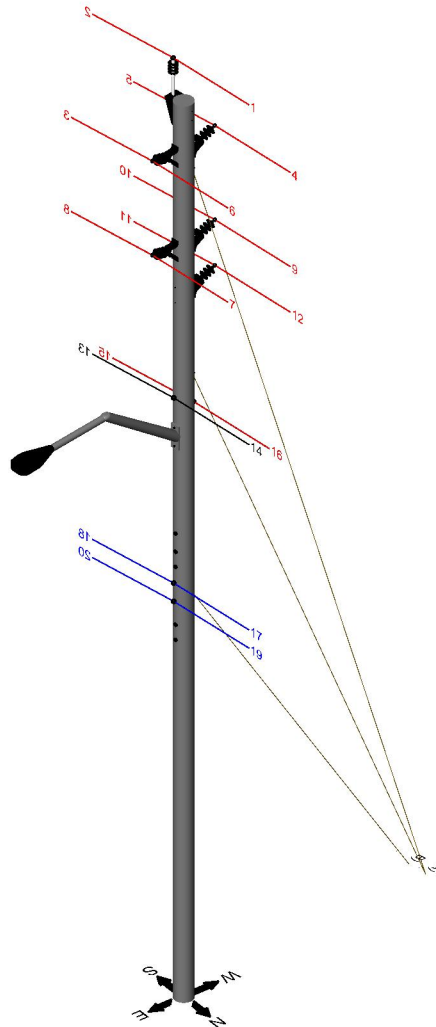
Vert O/S to Grade...-

Common Grade.....

Altitude.....

PDOP:

Condition: Visually OK

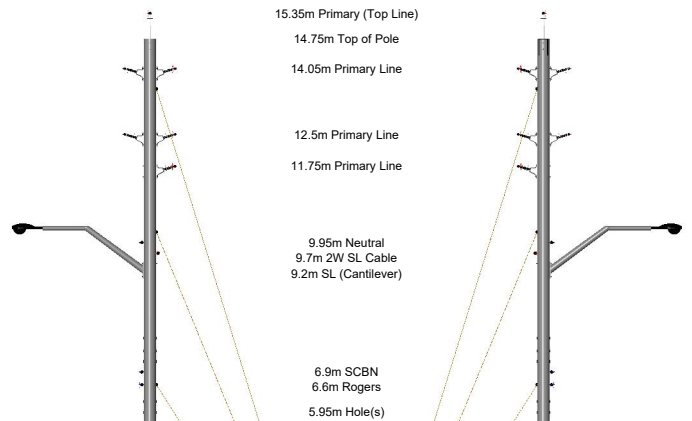
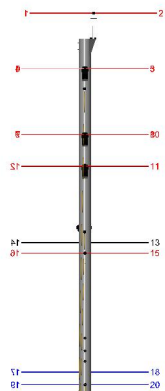
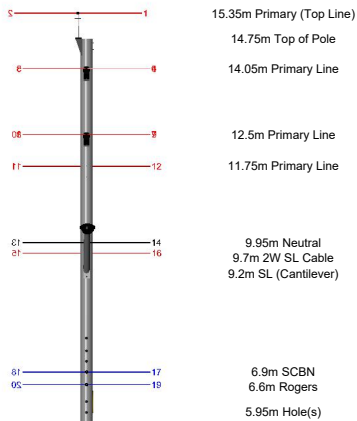


Looking W (RS View)

Looking E (FS View)

Looking S

Looking N



LINE ATTACHMENTS

REL	ITEM / CLIENT	LINE 1	LINE 2	T.BOLT	B.BOLT	POSITION	DIRECTION	STRAND GAUGE	CONDUCT AWG	ATTACH TYPE	ANC	DIPS	BND	SLACK	BROK LASH	FL90	Ex Arm	O/S	kV	SW-P	SW-L	SUB	
1	Primary (Top Line)	15.35m				278° / S	96° / N 45.2m to P11		556 / 0.9"		✓												
2	Primary (Top Line)	15.35m				278° / S	280° / S 44.5m to P13		556 / 0.9"	Stand Off 2x Bolt	✓												
3	Primary (Tier 1)	14.05m		14.05m	13.8m	8° / E (RS)	280° / S 44.5m to P13		556 / 0.9"	Stand Off 2x Bolt	✓												
4		14.05m		14.05m	13.8m	188° / W (FS)	96° / N 45.2m to P11		556 / 0.9"	Stand Off 2x Bolt	✓												
5		14.05m		14.05m	13.8m	188° / W (FS)	280° / S 44.5m to P13		556 / 0.9"	Stand Off 2x Bolt	✓												
6		14.05m		14.05m	13.8m	8° / E (RS)	96° / N 45.2m to P11		556 / 0.9"	Stand Off 2x Bolt	✓												
7	Primary (Tier 2)	12.5m		12.5m	12.25m	8° / E (RS)	96° / N 45.2m to P11		556 / 0.9"	Stand Off 2x Bolt	✓												
8		12.5m		12.5m	12.25m	8° / E (RS)	280° / S 44.5m to P13		556 / 0.9"	Stand Off 2x Bolt	✓												
9		12.5m		12.5m	12.25m	188° / W (FS)	96° / N 45.2m to P11		556 / 0.9"	Stand Off 2x Bolt	✓												
10		12.5m		12.5m	12.25m	188° / W (FS)	280° / S 44.5m to P13		556 / 0.9"	Stand Off 2x Bolt	✓												
11	Primary (Tier 3)	11.75m		11.75m	11.5m	188° / W (FS)	280° / S 44.5m to P13		556 / 0.9"	Stand Off 2x Bolt	✓												
12		11.75m		11.75m	11.5m	188° / W (FS)	96° / N 45.2m to P11		556 / 0.9"	Stand Off 2x Bolt	✓												
13	Neutral	9.95m				8° / E (RS)	280° / S 44.5m to P13		336 / 0.7"		✓												
14	Neutral	9.95m				8° / E (RS)	96° / N 45.2m to P11		336 / 0.7"		✓												
15	2W SL Cable	9.7m				188° / W (FS)	280° / S 44.5m to P13	unlashed	#6 / 0.2"														
16	2W SL Cable	9.7m				188° / W (FS)	96° / N 45.2m to P11	unlashed	#6 / 0.2"														
17	SCBN	6.9m				8° / E (RS)	96° / N 45.2m to P11	1/4"															
Cable: Cable: (1x) Fibre 0.6"																							
18	SCBN	6.9m				8° / E (RS)	280° / S 44.5m to P13	1/4"															
Cable: Cable: (1x) Fibre 0.6"																							
19	Rogers	6.6m				8° / E (RS)	96° / N 45.2m to P11	1/4"			✓		C										
Cable: Cable: (1x) Fibre 0.7",(1x) Fibre 0.6",(1x) Coax 750																							
20	Rogers	6.6m				8° / E (RS)	280° / S 44.5m to P13	1/4"			✓		C										
Cable: Cable: (1x) Fibre 0.7",(1x) Fibre 0.6",(1x) Coax 750																							

STRUCTURES

REL	ITEM	TOP	BOTTOM	T.BOLT	B.BOLT	MID HT	PRI DL BUSH HT	SEC DL	WIDTH	DEPTH	DIAM	POSITION	COMPOSITE	DESCRIPTION	QTY	DIPS	BND
21	SL (Cantilever)			9.45m	9.2m			9.1m				8° / E (RS)			1		
22	Hole(s)											8° / E (RS)			1		

Heights: 5.95m, 6.2m, 7.15m, 7.4m, 7.7m

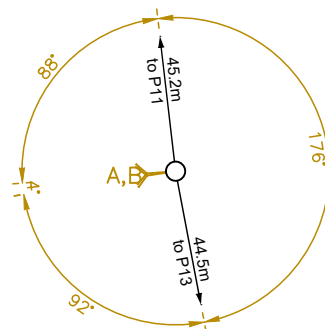
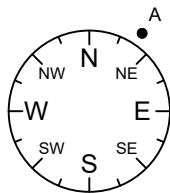
ANCHORS

REL	CLIENT	DOWN GUY			SLOPE HEIGHT	DIRECTION	ROD				SW STRUT		MARKER		WISH BONE	AUX EYE
		HEIGHT	GAUGE	LEAD			DIAM	EYE	CONSTR	DEV ANG	CONCEALED	HEIGHT	LENGTH	CONSTR		
A	Primary	13.57m	5/16"	4.2m	-	184° / W	7/8"	Twin	2x Piece							
	Secondary	10.2m	5/16"	4.2m	-	184° / W	7/8"	Twin	2x Piece							
B	Rogers	6.6m	1/4"	4.2m	-	189° / W	11/16"	Twin	2x Piece							

DIPS

TOP VIEW

A) Comm VG



44.34892182150152,-79.6702037017817

Front-426-448 Welham Rd

Surveyor..... Undisclosed

Date Surveyed.. 2020-06-04

Pole ID 1..... P6146

Pole ID 2..... NA

TX Tag(s).....

SW Tag(s).....

Owner..... Alectra

Usage..... Joint

Class..... G

Circumference...-

Height..... 55

Composition..... Wood

Manufacturer.....

Year Mfg.....

Year Install.....

Year Inspect.....

Species.....

Preserve.....

Pole Tilt.....

Top of Pole..... 14.65m

Lowest Primary..10.6m

Lowest Sec.....8.05m

Lowest SL.....7.23m

Lowest TL.....-

- PT  Has TX
- Has Primary Dip  Has Sec Dip
- Has Primary SW  Has Power VG
- Has In-Line SW(s)  Has Comm VG
- Has Ambiguous Grade

O/S to BOC/EOP 1..

O/S to BOC/EOP 2..

O/S to SW 1.....

O/S to SW 2.....

O/S to Fence.....

O/S to BOC Tang...

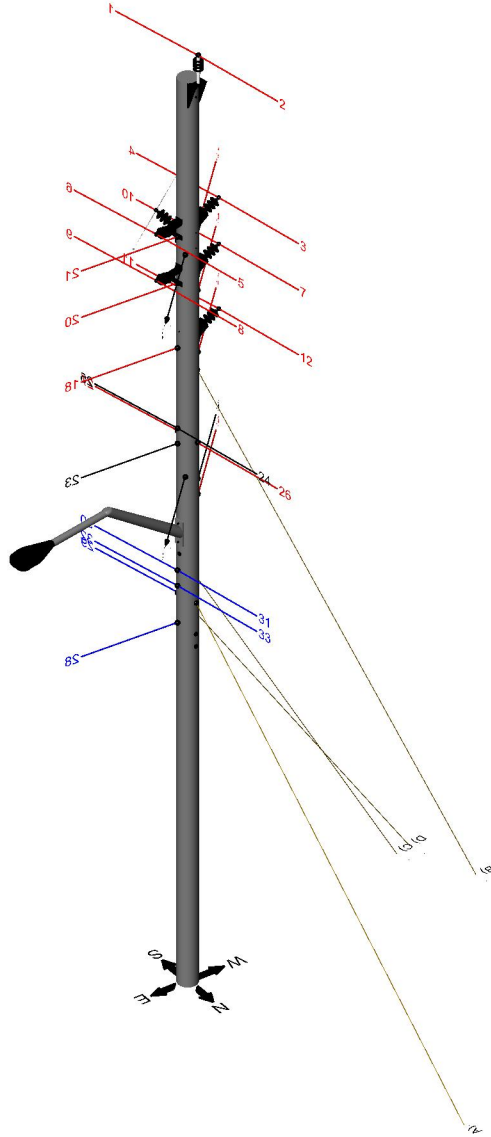
Vert O/S to Grade... -

Common Grade.....

Altitude.....

PDOP:

Condition: Visually OK

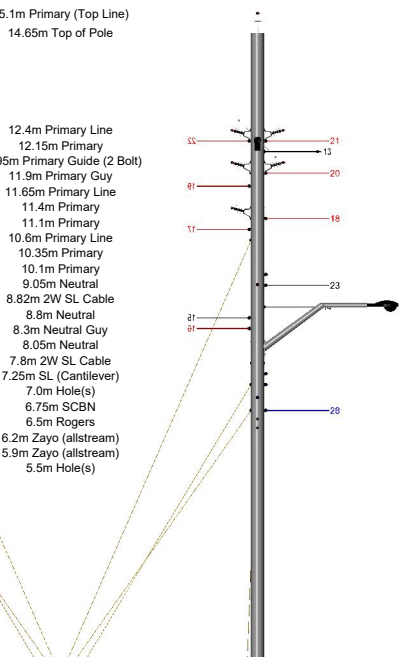
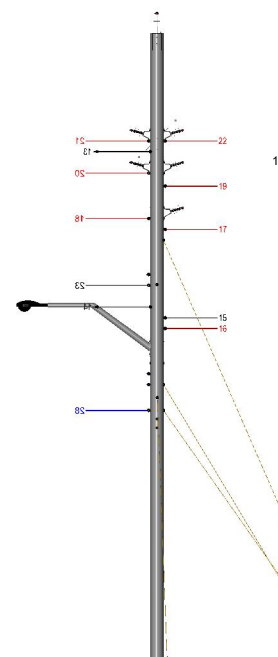
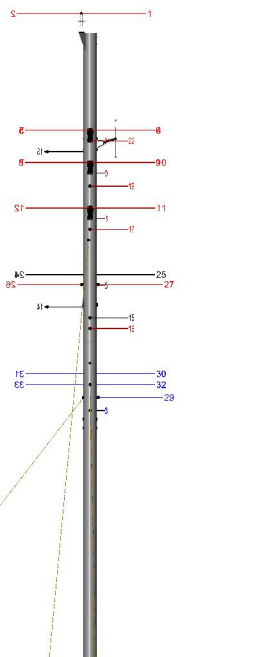
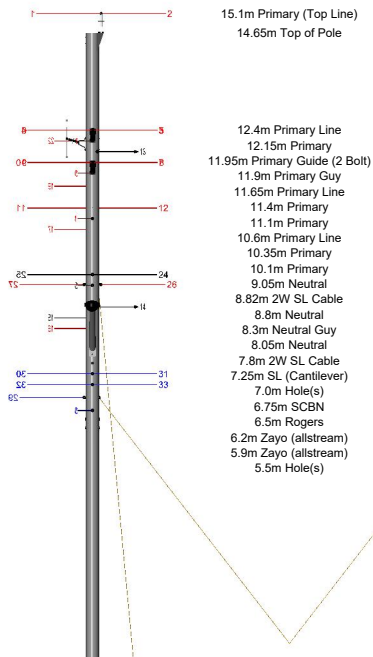


Looking W (RS View)

Looking E (FS View)

Looking S

Looking N



LINE ATTACHMENTS

REL	ITEM / CLIENT	LINE 1	LINE 2	T.BOLT	B.BOLT	POSITION	DIRECTION	STRAND GAUGE	CONDUCT AWG	ATTACH TYPE	ANC	DIPS	BND	SLACK	BROK LASH	FL90	Ex Arm	O/S	KV	SW-P	SW-L	SUB		
1	Primary (Top Line)	15.1m				100° / N	282° / SSE 55.7m to P14		556 / 0.9"	Stand Off 2x Bolt														
2	Primary (Top Line)	15.1m				100° / N	100° / N 44.5m to P12		556 / 0.9"															
3	Primary (Tier 1)	12.4m		12.4m	12.15m	191° / W (FS)	100° / N 44.5m to P12		556 / 0.9"	Stand Off 2x Bolt														
4		12.4m		12.4m	12.15m	191° / W (FS)	282° / SSE 55.7m to P14		556 / 0.9"	Stand Off 2x Bolt														
5		12.4m		12.4m	12.15m	11° / E (RS)	100° / N 44.5m to P12		556 / 0.9"	Stand Off 2x Bolt														
6		12.4m		12.4m	12.15m	11° / E (RS)	282° / SSE 55.7m to P14		556 / 0.9"	Stand Off 2x Bolt														
7	Primary (Tier 2)	11.65m		11.65m	11.4m	191° / W (FS)	100° / N 44.5m to P12		556 / 0.9"	Stand Off 2x Bolt														
8		11.65m		11.65m	11.4m	11° / E (RS)	100° / N 44.5m to P12		556 / 0.9"	Stand Off 2x Bolt														
9		11.65m		11.65m	11.4m	11° / E (RS)	282° / SSE 55.7m to P14		556 / 0.9"	Stand Off 2x Bolt														
10		11.65m		11.65m	11.4m	191° / W (FS)	282° / SSE 55.7m to P14		556 / 0.9"	Stand Off 2x Bolt														
11	Primary (Tier 3)	10.6m		10.6m	10.35m	191° / W (FS)	282° / SSE 55.7m to P14		556 / 0.9"	Stand Off 2x Bolt														
12		10.6m		10.6m	10.35m	191° / W (FS)	100° / N 44.5m to P12		556 / 0.9"	Stand Off 2x Bolt														
13	Primary Guy	11.9m				46° / NE	46° / NE 18.15m to P13a	5/16"																
14	Neutral Guy	8.3m				46° / NE	46° / NE 18.15m to P13a	5/16"																
15	Neutral	8.05m				190° / W (FS)	226° / SW 51.2m to P13b		336 / 0.7"		✓													
16	2W SL Cable	7.8m				190° / W (FS)	326° / SW 51.2m to P13b	unlashed	#6 / 0.2"															
17	Primary	10.1m				190° / W (FS)	226° / SW 51.2m to P13b		556 / 0.9"															
18	Primary	10.35m				10° / E (RS)	357° / E 27.0m to P13c		556 / 0.9"		✓													
19	Primary	11.1m				190° / W (FS)	226° / SW 51.2m to P13b		556 / 0.9"															
20	Primary	11.4m				10° / E (RS)	357° / E 27.0m to P13c		556 / 0.9"		✓													
21	Primary	12.15m				10° / E (RS)	357° / E 27.0m to P13c		556 / 0.9"		✓													
22	Primary	12.15m				190° / W (FS)	226° / SW 51.2m to P13b		556 / 0.9"															
23	Neutral	8.8m				10° / E (RS)	357° / E 27.0m to P13c		3/0 / 0.5"		✓													
24	Neutral	9.05m				10° / E (RS)	100° / N 44.5m to P12		336 / 0.7"		✓													
25	Neutral	9.05m				10° / E (RS)	282° / SSE 55.7m to P14		336 / 0.7"		✓													
26	2W SL Cable	8.82m				100° / N	100° / N 44.5m to P12	unlashed	#6 / 0.2"															
27	3W Spun-Bus	8.82m				280° / S	282° / SSE 55.7m to P14	unlashed	#4 / 0.25"															
28	Zayo (allstream)	5.9m				10° / E (RS)	357° / E 27.0m to P13c	3/8"			✓		N											
Cable: Cable: (1x) Fibre 0.8"																								
29	Zayo (allstream)	6.2m				280° / S	282° / SSE 55.7m to P14	5/16"			✓		N											
Cable: Cable: (1x) Fibre 0.8"																								
30	SCBN	6.75m				10° / E (RS)	282° / SSE 55.7m to P14	1/4"					N											
Cable: Cable: (1x) Fibre 0.6"																								
31	SCBN	6.75m				10° / E (RS)	100° / N 44.5m to P12	1/4"					N											
Cable: Cable: (1x) Fibre 0.6"																								
32	Rogers	6.5m				10° / E (RS)	282° / SSE 55.7m to P14	1/4"			✓													
Cable: Cable: (1x) Fibre 0.7", (1x) Fibre 0.6", (1x) Coax 750																								
33	Rogers	6.5m				10° / E (RS)	100° / N 44.5m to P12	1/4"			✓													
Cable: Cable: (1x) Fibre 0.7", (1x) Fibre 0.6", (1x) Coax 750																								

STRUCTURES

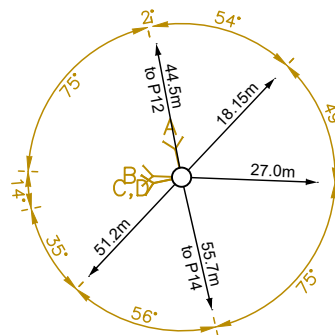
REL	ITEM	TOP	BOTTOM	T.BOLT	B.BOLT	MID HT	PRI DL BUSH HT	SEC DL	WIDTH	DEPTH	DIAM	POSITION	COMPOSITE	DESCRIPTION	QTY	DIPS	BND
34	Hole(s)											280° / S			1		
Heights: 5.5m, 5.7m																	
35	Hole(s)											10° / E (RS)			1		
Heights: 7.0m																	
36	Primary Guide (2 Bolt)			12.2m	11.95m							280° / S			1		
37	SL (Cantilever)			7.5m	7.25m			7.23m				10° / E (RS)			1		

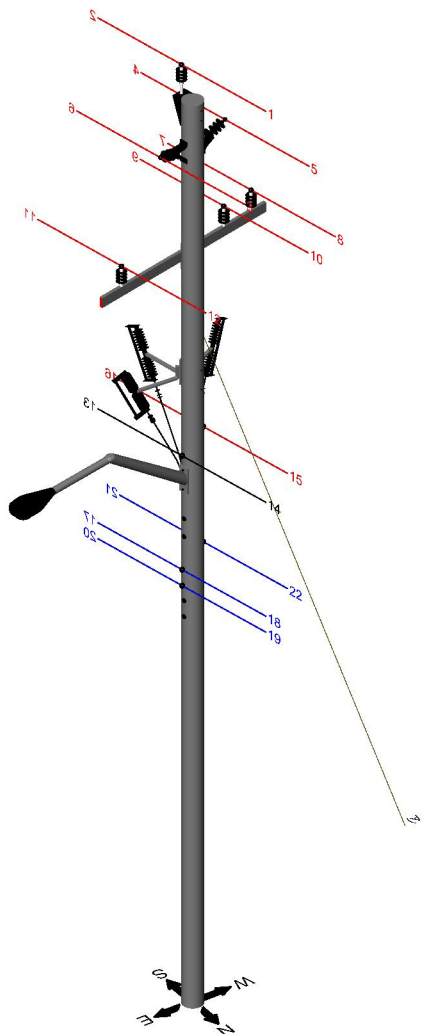
ANCHORS

REL	CLIENT	DOWN GUY			SLOPE HEIGHT	DIRECTION	ROD				SW STRUT		MARKER		WISH BONE	AUX EYE
		HEIGHT	GAUGE	LEAD			DIAM	EYE	CONSTR	DEV ANG	CONCEALED	HEIGHT	LENGTH	CONSTR		
A	Zayo (allstream)	6.2m	3/8"	4.8m	-	103° / NNW	1"	Triple	1x Piece							
B	Power	9.85m	5/16"	4.4m	-	178° / W	7/8"	Triple	2x Piece							
C	Rogers	6.5m	1/4"	3.9m	-	192° / WSW	11/16"	Twin	2x Piece							
D	Zayo (allstream)	5.9m	1/4"	4.15m	-	192° / WSW	1"	Triple	1x Piece							

DIPS

TOP VIEW





44.34842730518226,-79.67005806149082  
 Side-99 Ellis Dr  
 Surveyor..... Undisclosed  
 Date Surveyed.. 2020-06-04  
 Pole ID 1..... P6147  
 Pole ID 2..... NA  
 TX Tag(s).....  
 SW Tag(s)..... SUT 2598  
 Owner..... Alectra  
 Usage..... Joint  
 Class..... G  
 Circumference...-  
 Height..... 55  
 Composition..... Concrete  
 Manufacturer.....  
 Year Mfg..... 1985  
 Year Install.....  
 Year Inspect.....  
 Species.....  
 Preserve.....  
 Pole Tilt.....  
**Top of Pole..... 14.1m**  
**Lowest Primary..9.4m**  
**Lowest Sec.....8.5m**  
**Lowest SL.....8.0m**  
**Lowest TL.....-**

PT  Has TX  
 Has Primary Dip  Has Sec Dip  
 Has Primary SW  Has Power VG  
 Has In-Line SW(s)  Has Comm VG  
 Has Ambiguous Grade

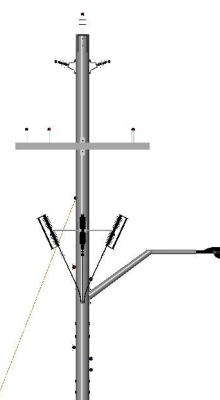
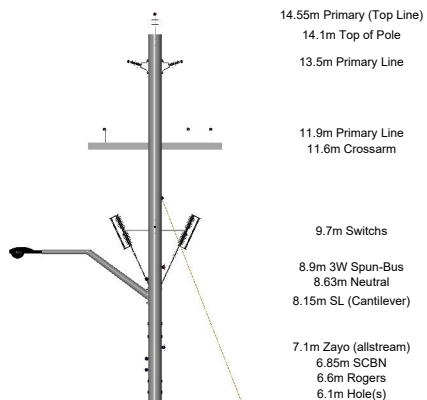
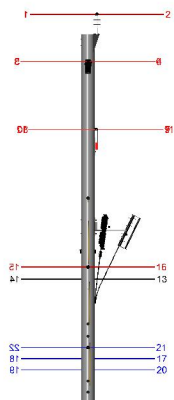
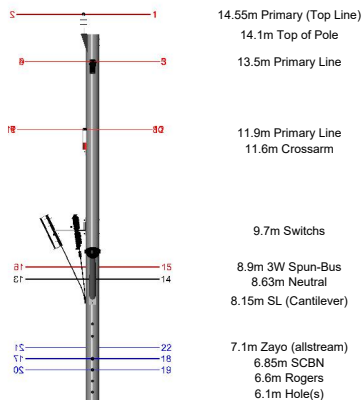
O/S to BOC/EOP 1..  
 O/S to BOC/EOP 2..  
 O/S to SW 1.....  
 O/S to SW 2.....  
 O/S to Fence.....  
 O/S to BOC Tang...  
 Vert O/S to Grade... -  
 Common Grade.....  
 Altitude..... PDOP:  
 Condition: Visually OK

Looking W (RS View)

Looking E (FS View)

Looking S

Looking N



LINE ATTACHMENTS

REL	ITEM / CLIENT	LINE 1	LINE 2	T.BOLT	B.BOLT	POSITION	DIRECTION	STRAND GAUGE	CONDUCT AWG	ATTACH TYPE	ANC	DIPS	BND	SLACK	BROK LASH	FL90	Ex Arm	O/S	KV	SW-P	SW-L	SUB		
1	Primary (Top Line)	14.55m				282° / SSE	102° / NNW 55.7m to P13		556 / 0.9"	Stand Off 2x Bolt														
2	Primary (Top Line)	14.55m				282° / SSE	282° / SSE 54.9m to P15		556 / 0.9"	Stand Off 2x Bolt														
3	Primary (Tier 1)	13.5m		13.5m	13.25m	12° / ENE	102° / NNW 55.7m to P13		556 / 0.9"	Stand Off 2x Bolt														
4		13.5m		13.5m	13.25m	192° / WSW	282° / SSE 54.9m to P15		556 / 0.9"	Stand Off 2x Bolt														
5		13.5m		13.5m	13.25m	192° / WSW	102° / NNW 55.7m to P13		556 / 0.9"	Stand Off 2x Bolt														
6		13.5m		13.5m	13.25m	12° / ENE	282° / SSE 54.9m to P15		556 / 0.9"	Stand Off 2x Bolt														
7	1xMember-2xBolt CA	11.6m		11.73m	11.48m	282° / SSE				Metal Bar														
8		11.9m				2/2, 192°/WSW	282° / SSE 54.9m to P15		556 / 0.9"														✓	
9		11.9m				2/2, 192°/WSW	102° / NNW 55.7m to P13		556 / 0.9"														✓	
10		11.9m				1/2, 192°/WSW	282° / SSE 54.9m to P15		556 / 0.9"															✓
11		11.9m					1/1, 12°/ENE	282° / SSE 54.9m to P15		556 / 0.9"														✓
12		11.9m					1/1, 12°/ENE	102° / NNW 55.7m to P13		556 / 0.9"														
13	Neutral	8.63m				11° / E (RS)	282° / SSE 54.9m to P15		336 / 0.7"				✓											
14	Neutral	8.63m				11° / E (RS)	102° / NNW 55.7m to P13		336 / 0.7"				✓											
15	3W Spun-Bus	8.9m				191° / W (FS)	102° / NNW 55.7m to P13	unlashed	#4 / 0.25"															
16	3W Spun-Bus	8.9m				191° / W (FS)	282° / SSE 54.9m to P15	unlashed	#4 / 0.25"				✓											
17	SCBN	6.85m				11° / E (RS)	282° / SSE 54.9m to P15	1/4"																
Cable: Cable: (1x) Fibre 0.6"																								
18	SCBN	6.85m				11° / E (RS)	102° / NNW 55.7m to P13	1/4"																
Cable: Cable: (1x) Fibre 0.6"																								
19	Rogers	6.6m				11° / E (RS)	102° / NNW 55.7m to P13	1/4"																
Cable: Cable: (1x) Fibre 0.7", (1x) Fibre 0.6", (1x) Coax 750																								
20	Rogers	6.6m				11° / E (RS)	282° / SSE 54.9m to P15	1/4"																
Cable: Cable: (1x) Fibre 0.7", (1x) Fibre 0.6", (1x) Coax 750																								
21	Zayo (allstream)	7.1m				191° / W (FS)	282° / SSE 54.9m to P15	5/16"																
Cable: Cable: (1x) Fibre 0.8"																								
22	Zayo (allstream)	7.1m				191° / W (FS)	102° / NNW 55.7m to P13	5/16"																
Cable: Cable: (1x) Fibre 0.8"																								

STRUCTURES

REL	ITEM	TOP	BOTTOM	T.BOLT	B.BOLT	MID HT	PRI DL BUSH HT	SEC DL	WIDTH	DEPTH	DIAM	POSITION	COMPOSITE	DESCRIPTION	QTY	DIPS	BND
23	Switches			9.95m	9.7m							281° / S		Pole Pos: 99° / N	3	✓	✓
24	SL (Cantilever)			8.4m	8.15m			8.0m				11° / E (RS)			1		
25	Hole(s)											11° / E (RS)			1		

Heights: 6.1m, 6.35m, 7.35m, 7.63m

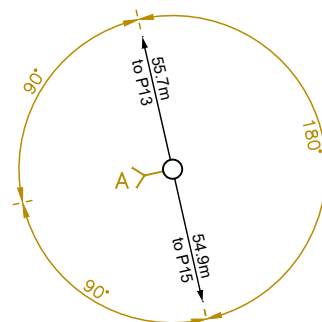
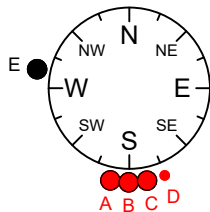
ANCHORS

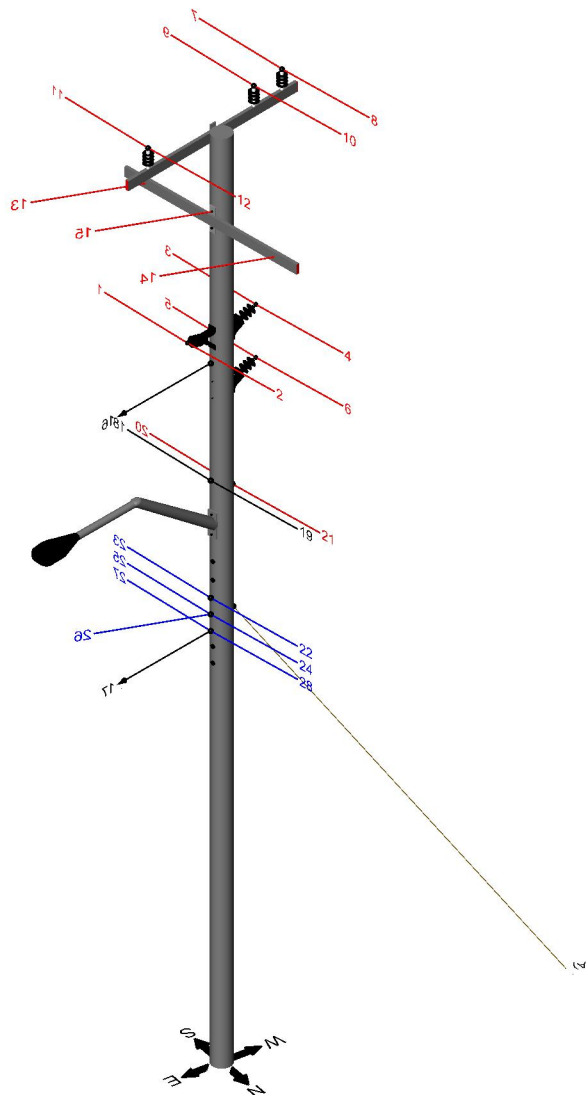
REL	CLIENT	DOWN GUY			SLOPE HEIGHT	DIRECTION	ROD				SW STRUT		MARKER		WISH BONE	AUX EYE
		HEIGHT	GAUGE	LEAD			DIAM	EYE	CONSTR	DEV ANG	CONCEALED	HEIGHT	LENGTH	CONSTR		
A	Power	10.44m	5/16"	3.8m	0.75m	193° / WSW	7/8"	Triple	2x Piece							

DIPS

TOP VIEW

- A) 1Ph Pri Dip, Mast: 2.0" Conduit, Cov: 7.25m
- B) 1Ph Pri Dip, Mast: 2.0" Conduit, Cov: 7.4m
- C) 1Ph Pri Dip, Mast: 2.0" Conduit, Cov: 7.27m
- D) Primary VG
- E) Utility Feed, Mast: 2.0" Conduit, Cov: 8.5m





44.34794440425835,-79.66991692418925  
 Opposite-455 Welham Rd

Surveyor..... Undisclosed  
 Date Surveyed.. 2020-06-04  
 Pole ID 1..... P6148  
 Pole ID 2..... NA  
 TX Tag(s).....  
 SW Tag(s).....  
 Owner..... Alectra  
 Usage..... Joint  
 Class..... G  
 Circumference...-  
 Height..... 55  
 Composition..... Wood  
 Manufacturer.....  
 Year Mfg..... 1985  
 Year Install.....  
 Year Inspect.....  
 Species.....  
 Preserve.....  
 Pole Tilt.....

Top of Pole..... 14.04m  
 Lowest Primary..10.35m  
 Lowest Sec.....8.63m  
 Lowest SL.....8.0m  
 Lowest TL.....-

PT  Has TX  
 Has Primary Dip  Has Sec Dip  
 Has Primary SW  Has Power VG  
 Has In-Line SW(s)  Has Comm VG  
 Has Ambiguous Grade

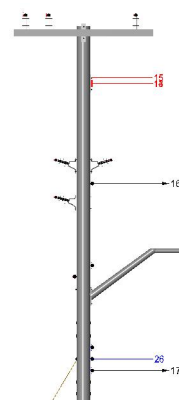
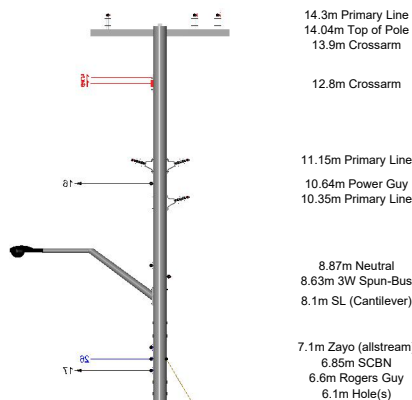
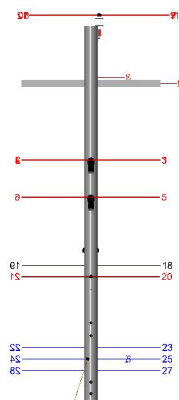
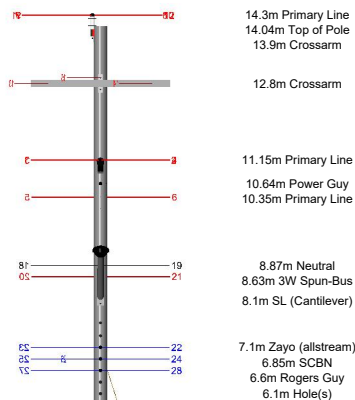
O/S to BOC/EOP 1..  
 O/S to BOC/EOP 2..  
 O/S to SW 1.....  
 O/S to SW 2.....  
 O/S to Fence.....  
 O/S to BOC Tang...  
 Vert O/S to Grade... -  
 Common Grade.....  
 Altitude..... PDDP:  
 Condition: Visually OK

Looking W (RS View)

Looking E (FS View)

Looking S

Looking N



LINE ATTACHMENTS

REL REF	ITEM / CLIENT	LINE 1	LINE 2	T.BOLT	B.BOLT	POSITION	DIRECTION	STRAND GAUGE	CONDUCT AWG	ATTACH TYPE	ANC	DIPS	BND	SLACK	BROK LASH	FL90	Ex Arm	O/S	kV	SW-P	SW-L	SUB
1	Primary (Tier 1)	11.15m		11.15m	10.9m	11° / E (RS)	279° / S 55.2m to P17		556 / 0.9"	Stand Off 2x Bolt												
2		11.15m		11.15m	10.9m	11° / E (RS)	102° / NNW 54.9m to P14		556 / 0.9"	Stand Off 2x Bolt												
3		11.15m		11.15m	10.9m	191° / W (FS)	279° / S 55.2m to P17		556 / 0.9"	Stand Off 2x Bolt												
4		11.15m		11.15m	10.9m	191° / W (FS)	102° / NNW 54.9m to P14		556 / 0.9"	Stand Off 2x Bolt												
5	Primary (Tier 2)	10.35m		10.35m	10.1m	191° / W (FS)	279° / S 55.2m to P17		556 / 0.9"	Stand Off 2x Bolt												
6		10.35m		10.35m	10.1m	191° / W (FS)	102° / NNW 54.9m to P14		556 / 0.9"	Stand Off 2x Bolt												
7	1xMember-2xBolt CA	13.9m		14.03m	13.78m	282° / SSE				Metal Bar												
8		14.3m				2/2, 192°/WSW	279° / S 55.2m to P17		556 / 0.9"													
9		14.3m				2/2, 192°/WSW	102° / NNW 54.9m to P14		556 / 0.9"													
10		14.3m				1/2, 192°/WSW	279° / S 55.2m to P17		556 / 0.9"													
11		14.3m				1/2, 192°/WSW	102° / NNW 54.9m to P14		556 / 0.9"													
12		14.3m				1/1, 12°/ENE	279° / S 55.2m to P17		556 / 0.9"													
13	1xMember-2xBolt CA	12.8m		12.93m	12.68m	11° / E (RS)				Metal Bar												
14		12.8m				1/1, 281°/S	342° / ESE 33.2m to P15a		1/0 / 0.4"													
15		12.8m				1/1, 101°/N	342° / ESE 33.2m to P15a		1/0 / 0.4"													
16	Power Guy	10.64m				11° / E (RS)	11° / E 12.4m to P16	5/16"														
17	Rogers Guy	6.6m				11° / E (RS)	11° / E 12.4m to P16	1/4"														
18	Neutral	8.87m				11° / E (RS)	279° / S 55.2m to P17		336 / 0.7"													
19	Neutral	8.87m				11° / E (RS)	102° / NNW 54.9m to P14		336 / 0.7"													
20	3W Spun-Bus	8.63m				191° / W (FS)	279° / S 55.2m to P17	unlashed	#4 / 0.25"													
21	3W Spun-Bus	8.63m				191° / W (FS)	102° / NNW 54.9m to P14	unlashed	#4 / 0.25"													
22	Zayo (allstream)	7.1m				11° / E (RS)	102° / NNW 54.9m to P14	5/16"														
Cable: Cable: (1x) Fibre 0.8"																						
23	Zayo (allstream)	7.1m				11° / E (RS)	279° / S 55.2m to P17	5/16"														
Cable: Cable: (1x) Fibre 0.8"																						
24	SCBN	6.85m				11° / E (RS)	102° / NNW 54.9m to P14	1/4"														
Cable: Cable: (1x) Fibre 0.6"; Equip: LB: 2/3 Span, LB: 1/2 Span																						
25	SCBN	6.85m				11° / E (RS)	279° / S 55.2m to P17	1/4"														
Cable: Cable: (1x) Fibre 0.6", (2x) Fibre 0.4"; Equip: FOSC																						
26	SCBN	6.85m				11° / E (RS)	342° / ESE 33.2m to P15a	1/4"														
Cable: Cable: (1x) Fibre 0.4"																						
27	Rogers	6.6m				11° / E (RS)	279° / S 55.2m to P17	1/4"														
Cable: Cable: (1x) Fibre 0.7", (1x) Fibre 0.6", (1x) Coax 750; Equip: LB: Full Span																						
28	Rogers	6.6m				11° / E (RS)	102° / NNW 54.9m to P14	1/4"														
Cable: Cable: (1x) Fibre 0.7", (1x) Fibre 0.6", (1x) Coax 750																						

STRUCTURES

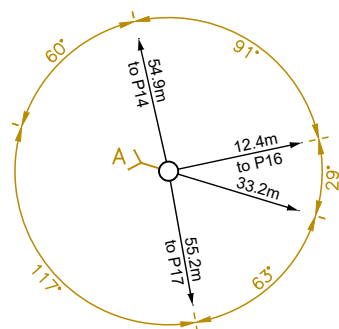
REL REF	ITEM	TOP	BOTTOM	T.BOLT	B.BOLT	MID HT	PRI DL BUSH HT	SEC DL	WIDTH	DEPTH	DIAM	POSITION	COMPOSITE	DESCRIPTION	QTY	DIPS	BND
29	Hole(s)											11° / E (RS)			1		
Heights: 6.1m, 6.35m, 7.35m, 7.63m																	
30	SL (Cantilever)				8.35m	8.1m		8.0m				11° / E (RS)			1		

ANCHORS

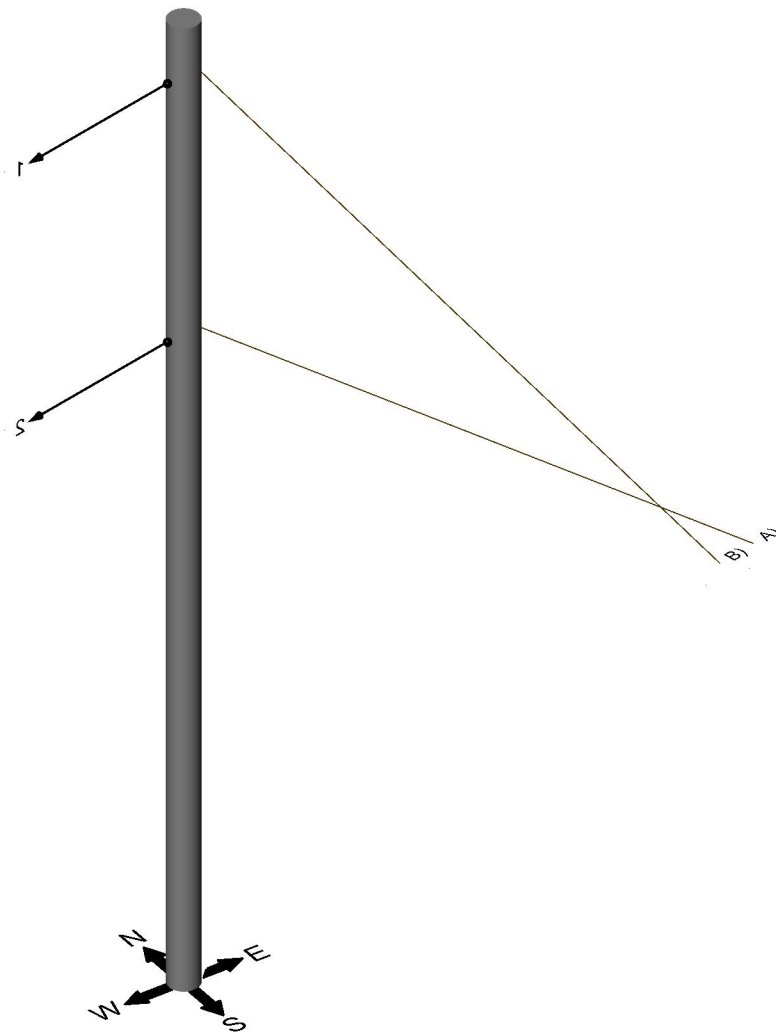
REL REF	CLIENT	DOWN GUY			SLOPE HEIGHT	DIRECTION	ROD				SW STRUT		MARKER		WISH BONE	AUX EYE
		HEIGHT	GAUGE	LEAD			DIAM	EYE	CONSTR	DEV ANG	CONCEALED	HEIGHT	LENGTH	CONSTR		
A	SCBN	6.85m	5/16"	4.3m	0.5m	163° / WNW	5/8"	Twin	1x Piece							

DIPS

TOP VIEW







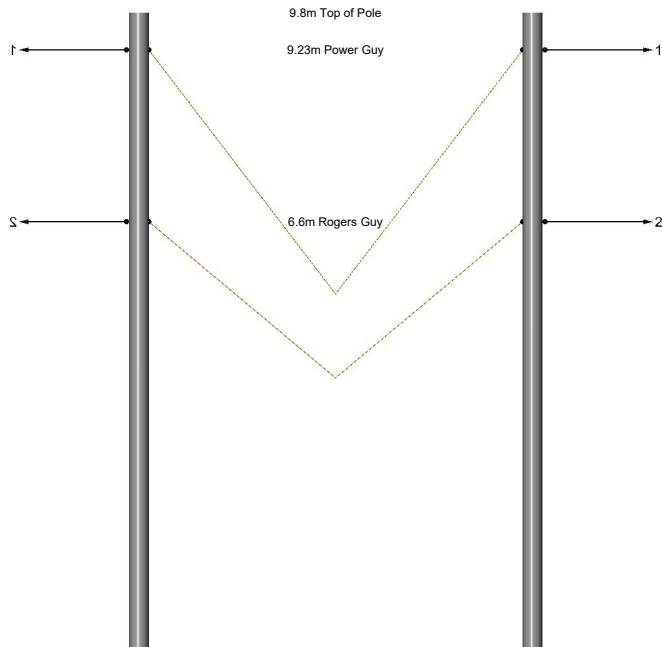
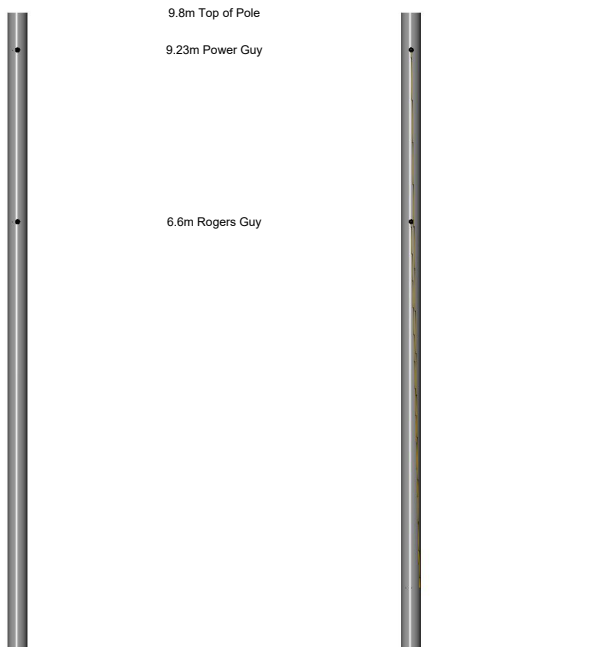
44.34796606063049,-79.66976356659306  
 Front-455 Welham Rd  
 Surveyor..... Undisclosed  
 Date Surveyed.. 2020-06-04  
 Pole ID 1..... P6149  
 Pole ID 2..... NA  
 TX Tag(s).....  
 SW Tag(s).....  
 Owner..... Alectra  
 Usage..... Joint  
 Class..... F  
 Circumference...-  
 Height.....40  
 Composition..... Concrete  
 Manufacturer.....  
 Year Mfg.....1986  
 Year Install.....  
 Year Inspect.....  
 Species.....  
 Preserve.....  
 Pole Tilt.....  
 Top of Pole.....9.8m  
 Lowest Primary...-  
 Lowest Sec.....-  
 Lowest SL.....-  
 Lowest TL.....-  
 PT  Has TX  
 Has Primary Dip  Has Sec Dip  
 Has Primary SW  Has Power VG  
 Has In-Line SW(s)  Has Comm VG  
 Has Ambiguous Grade  
 O/S to BOC/EOP 1..  
 O/S to BOC/EOP 2..  
 O/S to SW 1.....  
 O/S to SW 2.....  
 O/S to Fence.....  
 O/S to BOC Tang...  
 Vert O/S to Grade... -  
 Common Grade.....  
 Altitude..... PDOP:  
 Condition: Visually OK

Looking E (RS View)

Looking W (FS View)

Looking N

Looking S



LINE ATTACHMENTS

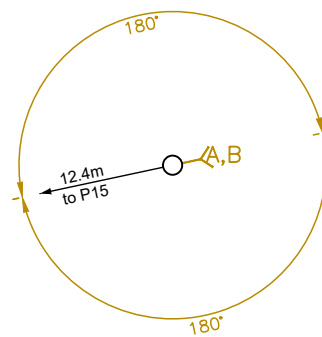
REF	ITEM / CLIENT	LINE 1	LINE 2	T.BOLT	B.BOLT	POSITION	DIRECTION	STRAND GAUGE	CONDUCT AWG	ATTACH TYPE	ANC	DIPS	BND	SLACK	BROK LASH	FL90	Ex Arm	O/S	kV	SW-P	SW-L	SUB	
1	Power Guy	9.23m				191° / W (RS)	191° / W 12.4m to P15	5/16"			✓												
2	Rogers Guy	6.6m				191° / W (RS)	191° / W 12.4m to P15	1/4"			✓												

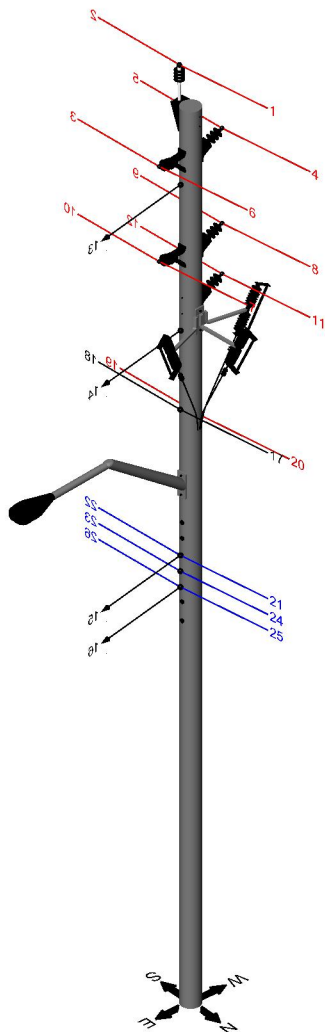
ANCHORS

REF	CLIENT	DOWN GUY			SLOPE HEIGHT	DIRECTION	ROD				SW STRUT		MARKER		WISH BONE	AUX EYE	
		HEIGHT	GAUGE	LEAD			DIAM	EYE	CONSTR	DEV ANG	CONCEALED	HEIGHT	LENGTH	CONSTR			CONDITION
A	Power	6.6m	5/16"	6.7m	1.0m	12° / ENE		Twin	1x Piece		by Earth						
B	Rogers	9.23m	1/4"	6.3m	1.0m	12° / ENE	11/16"	Triple	2x Piece								

DIPS

TOP VIEW





44.347455149418515,-79.6698058799803  
 Front-466 Welham Rd  
 Surveyor..... Undisclosed  
 Date Surveyed.. 2020-06-04  
 Pole ID 1..... P6150  
 Pole ID 2..... NA  
 TX Tag(s).....  
 SW Tag(s)..... SUT 2599 / 466  
 Owner..... Alectra  
 Usage..... Joint  
 Class..... G  
 Circumference...-  
 Height..... 55  
 Composition..... Concrete  
 Manufacturer.....  
 Year Mfg..... 1985  
 Year Install.....  
 Year Inspect.....  
 Species.....  
 Preserve.....  
 Pole Tilt.....  
**Top of Pole..... 14.15m**  
**Lowest Primary..10.45m**  
**Lowest Sec.....9.17m**  
**Lowest SL.....8.1m**  
**Lowest TL.....-**

PT  Has TX  
 Has Primary Dip  Has Sec Dip  
 Has Primary SW  Has Power VG  
 Has In-Line SW(s)  Has Comm VG  
 Has Ambiguous Grade

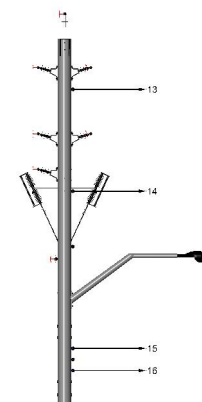
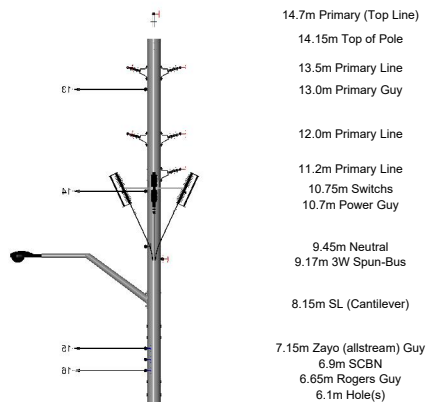
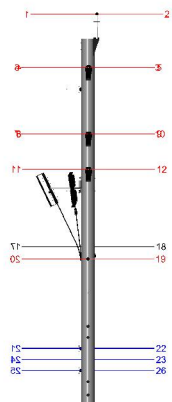
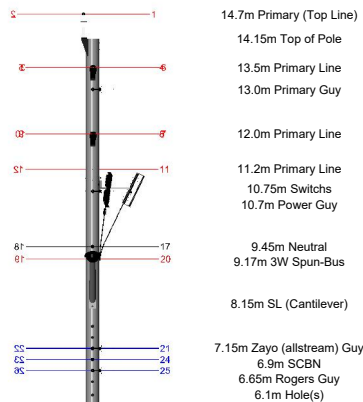
O/S to BOC/EOP 1..  
 O/S to BOC/EOP 2..  
 O/S to SW 1.....  
 O/S to SW 2.....  
 O/S to Fence.....  
 O/S to BOC Tang...  
 Vert O/S to Grade... -  
 Common Grade.....  
 Altitude..... PDOP:  
 Condition: Visually OK

Looking W (RS View)

Looking E (FS View)

Looking S

Looking N



LINE ATTACHMENTS

REL	ITEM / CLIENT	LINE 1	LINE 2	T.BOLT	B.BOLT	POSITION	DIRECTION	STRAND GAUGE	CONDUCT AWG	ATTACH TYPE	ANC	DIPS	BND	SLACK	BROK LASH	FL90	Ex Arm	O/S	kV	SW-P	SW-L	SUB			
1	Primary (Top Line)	14.7m				277° / S	99° / N 55.2m to P15		556 / 0.9"	Stand Off 2x Bolt															
2	Primary (Top Line)	14.7m				277° / S	275° / S 55.4m to P19		556 / 0.9"	Stand Off 2x Bolt															
3	Primary (Tier 1)	13.5m		13.5m	13.25m	7° / E (RS)	275° / S 55.4m to P19		556 / 0.9"	Stand Off 2x Bolt															
4		13.5m		13.5m	13.25m	187° / W (FS)	99° / N 55.2m to P15		556 / 0.9"	Stand Off 2x Bolt															
5		13.5m		13.5m	13.25m	187° / W (FS)	275° / S 55.4m to P19		556 / 0.9"	Stand Off 2x Bolt															
6		13.5m		13.5m	13.25m	7° / E (RS)	99° / N 55.2m to P15		556 / 0.9"	Stand Off 2x Bolt															
7	Primary (Tier 2)	12.0m		12.0m	11.75m	7° / E (RS)	99° / N 55.2m to P15		556 / 0.9"	Stand Off 2x Bolt															
8		12.0m		12.0m	11.75m	187° / W (FS)	99° / N 55.2m to P15		556 / 0.9"	Stand Off 2x Bolt															
9		12.0m		12.0m	11.75m	187° / W (FS)	275° / S 55.4m to P19		556 / 0.9"	Stand Off 2x Bolt															
10		12.0m		12.0m	11.75m	7° / E (RS)	275° / S 55.4m to P19		556 / 0.9"	Stand Off 2x Bolt															
11	Primary (Tier 3)	11.2m		11.2m	10.95m	187° / W (FS)	99° / N 55.2m to P15		556 / 0.9"	Stand Off 2x Bolt															
12		11.2m		11.2m	10.95m	187° / W (FS)	275° / S 55.4m to P19		556 / 0.9"	Stand Off 2x Bolt															
13	Primary Guy	13.0m				7° / E (RS)	11° / ENE 12.4m to P18	5/16"																	
14	Power Guy	10.7m				7° / E (RS)	11° / ENE 12.4m to P18	5/16"																	
15	Zayo (allstream) Guy	7.15m				7° / E (RS)	11° / ENE 12.4m to P18	5/16"																	
16	Rogers Guy	6.65m				7° / E (RS)	11° / ENE 12.4m to P18	1/4"																	
17	Neutral	9.45m				5° / E (RS)	99° / N 55.2m to P15		336 / 0.7"				✓												
18	Neutral	9.45m				5° / E (RS)	275° / S 55.4m to P19		336 / 0.7"				✓												
19	3W Spun-Bus	9.17m				185° / W (FS)	275° / S 55.4m to P19	unlashed	#4 / 0.25"																
20	3W Spun-Bus	9.17m				185° / W (FS)	99° / N 55.2m to P15	unlashed	#4 / 0.25"																
21	Zayo (allstream)	7.15m				5° / E (RS)	99° / N 55.2m to P15	5/16"																	
Cable: Cable: (1x) Fibre 0.8"																									
22	Zayo (allstream)	7.15m				5° / E (RS)	275° / S 55.4m to P19	5/16"																	
Cable: Cable: (1x) Fibre 0.8"																									
23	SCBN	6.9m				5° / E (RS)	275° / S 55.4m to P19	1/4"																	
Cable: Cable: (1x) Fibre 0.6",(2x) Fibre 0.4"																									
24	SCBN	6.9m				5° / E (RS)	99° / N 55.2m to P15	1/4"																	
Cable: Cable: (1x) Fibre 0.6",(2x) Fibre 0.4"																									
25	Rogers	6.65m				5° / E (RS)	99° / N 55.2m to P15	1/4"																	
Cable: Cable: (1x) Fibre 0.7",(1x) Fibre 0.6",(1x) Coax 750																									
26	Rogers	6.65m				5° / E (RS)	275° / S 55.4m to P19	1/4"																	
Cable: Cable: (1x) Fibre 0.7",(1x) Fibre 0.6",(1x) Coax 750																									

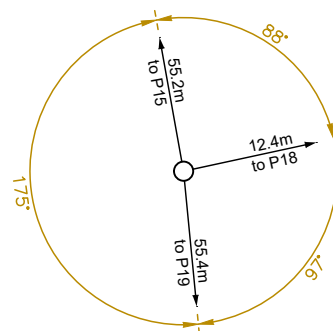
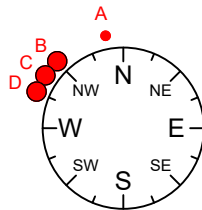
STRUCTURES

REL	ITEM	TOP	BOTTOM	T.BOLT	B.BOLT	MID HT	PRI DL BUSH HT	SEC DL	WIDTH	DEPTH	DIAM	POSITION	COMPOSITE	DESCRIPTION	QTY	DIPS	BND
27	SL (Cantilever)			8.4m	8.15m			8.1m				5° / E (RS)			1		
28	Hole(s)											5° / E (RS)			1		
Heights: 6.1m, 6.4m, 7.4m, 7.65m																	
29	Switches			11.0m	10.75m							95° / N		Pole Pos: 99° / N	3	✓	✓

DIPS

TOP VIEW

- A) Primary VG
- B) 1Ph Pri Dip, Mast: 2.0" Conduit, Cov: 7.83m
- C) 1Ph Pri Dip, Mast: 2.0" Conduit, Cov: 7.2m
- D) 1Ph Pri Dip, Mast: 2.0" Conduit, Cov: 8.42m



44.3474770357111,-79.6696530161194

Opposite-466 Welham Rd

Surveyor..... Undisclosed

Date Surveyed.. 2020-06-05

Pole ID 1..... P6151

Pole ID 2..... NA

TX Tag(s).....

SW Tag(s).....

Owner..... Alectra

Usage..... Joint

Class..... F

Circumference...-

Height.....40

Composition.... Concrete

Manufacturer....

Year Mfg..... 1986

Year Install.....

Year Inspect.....

Species.....

Preserve.....

Pole Tilt.....

Top of Pole.....9.5m

Lowest Primary..-

Lowest Sec.....-

Lowest SL.....-

Lowest TL.....-

- PT  Has TX
- Has Primary Dip  Has Sec Dip
- Has Primary SW  Has Power VG
- Has In-Line SW(s)  Has Comm VG
- Has Ambiguous Grade

O/S to BOC/EOP 1..

O/S to BOC/EOP 2..

O/S to SW 1.....

O/S to SW 2.....

O/S to Fence.....

O/S to BOC Tang...

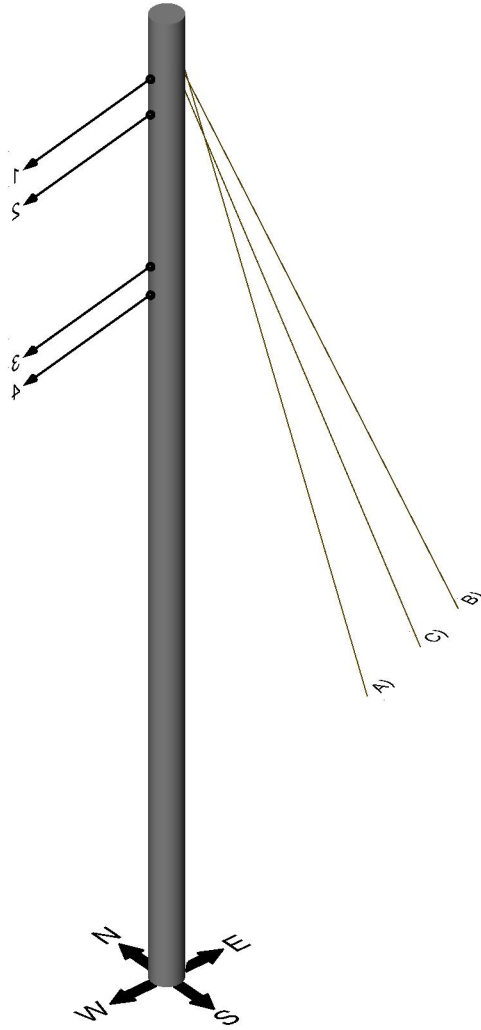
Vert O/S to Grade...-

Common Grade.....

Altitude.....

PDOP:

Condition: Visually OK

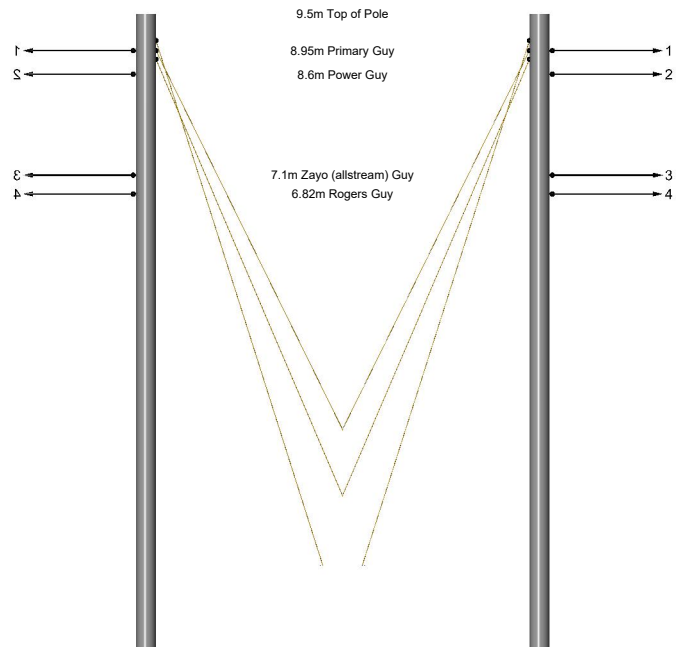
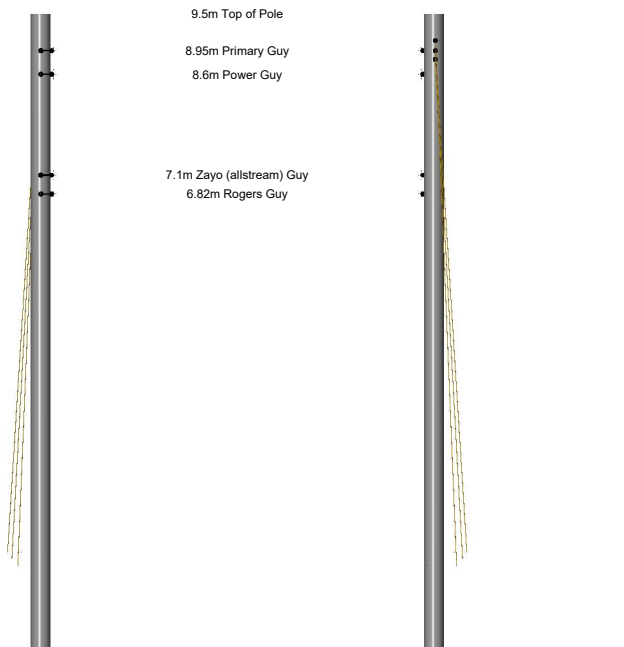


Looking E (RS View)

Looking W (FS View)

Looking N

Looking S



### LINE ATTACHMENTS

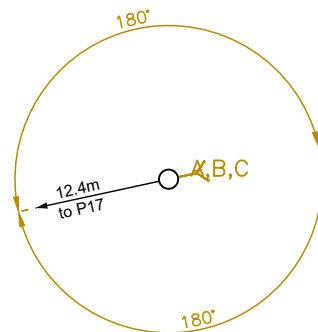
REL	ITEM / CLIENT	LINE 1	LINE 2	T.BOLT	B.BOLT	POSITION	DIRECTION	STRAND GAUGE	CONDUCT AWG	ATTACH TYPE	ANC	DIPS	BND	SLACK	BROK LASH	FL90	Ex Arm	O/S	kV	SW-P	SW-L	SUB	
1	Primary Guy	8.95m				187° / W (RS)	191° / WSW 12.4m to P17	5/16"			✓												
2	Power Guy	8.6m				187° / W (RS)	191° / WSW 12.4m to P17	5/16"			✓												
3	Zayo (allstream) Guy	7.1m				187° / W (RS)	191° / WSW 12.4m to P17	5/16"			✓												
4	Rogers Guy	6.82m				187° / W (RS)	191° / WSW 12.4m to P17	1/4"			✓												

### ANCHORS

REF	CLIENT	DOWN GUY			SLOPE HEIGHT	DIRECTION	ROD				SW STRUT		MARKER		WISH BONE	AUX EYE
		HEIGHT	GAUGE	LEAD			DIAM	EYE	CONSTR	DEV ANG	CONCEALED	HEIGHT	LENGTH	CONSTR		
A	Zayo (allstream)	9.1m	5/16"	2.5m	1.3m	12° / ENE	1"	Triple	1x Piece							
B	Power	8.95m	5/16"	3.7m	1.5m	12° / ENE	11/16"	Twin	2x Piece							
C	Rogers	8.82m	1/4"	3.2m	1.4m	12° / ENE	11/16"	Twin	2x Piece							

DIPS

TOP VIEW



44.34695814993562,-79.66975028458562

Front-474 / 474 Welham Rd

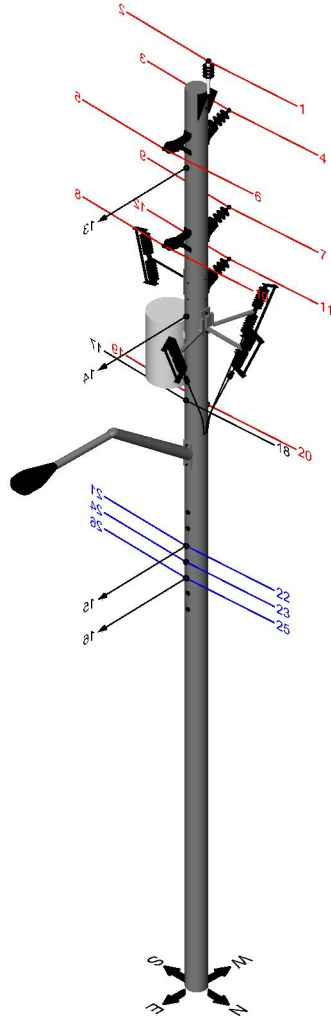
Surveyor..... Undisclosed  
 Date Surveyed.. 2020-06-05  
 Pole ID 1..... P6152  
 Pole ID 2..... NA  
 TX Tag(s).....  
 SW Tag(s)..... SUT 2600 / 475  
 Owner..... Alectra  
 Usage..... Joint  
 Class..... G  
 Circumference...-  
 Height..... 55  
 Composition..... Concrete  
 Manufacturer.....  
 Year Mfg..... 1985  
 Year Install.....  
 Year Inspect.....  
 Species.....  
 Preserve.....  
 Pole Tilt.....

Top of Pole..... 13.9m  
 Lowest Primary..9.95m  
 Lowest Sec.....8.85m  
 Lowest SL.....8.0m  
 Lowest TL.....-

PT  Has TX  
 Has Primary Dip  Has Sec Dip  
 Has Primary SW  Has Power VG  
 Has In-Line SW(s)  Has Comm VG  
 Has Ambiguous Grade

O/S to BOC/EOP 1..  
 O/S to BOC/EOP 2..  
 O/S to SW 1.....  
 O/S to SW 2.....  
 O/S to Fence.....  
 O/S to BOC Tang...  
 Vert O/S to Grade... -  
 Common Grade.....  
 Altitude.....  
 Condition: Visually OK

PDOP:

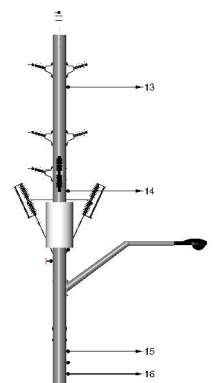
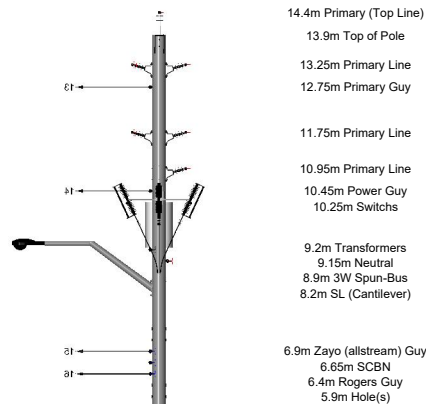
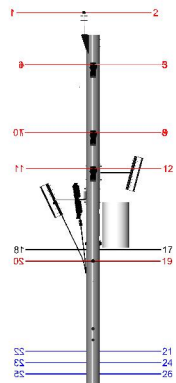
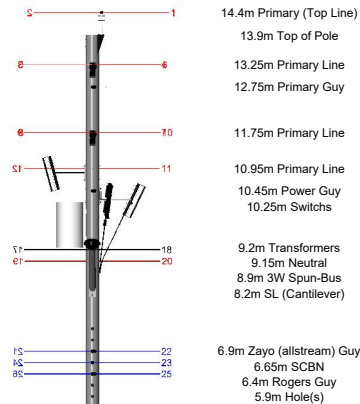


Looking W (RS View)

Looking E (FS View)

Looking S

Looking N



LINE ATTACHMENTS

REL	ITEM / CLIENT	LINE 1	LINE 2	T.BOLT	B.BOLT	POSITION	DIRECTION	STRAND GAUGE	CONDUCT AWG	ATTACH TYPE	ANC	DIPS	BND	SLACK	BROK LASH	FL90	Ex Arm	O/S	KV	SW-P	SW-L	SUB	
1	Primary (Top Line)	14.4m				95° / N	95° / N 55.4m to P17		556 / 0.9"														
2	Primary (Top Line)	14.4m				95° / N	270° / S 56.6m to P21		556 / 0.9"	Stand Off 2x Bolt													
3	Primary (Tier 1)	13.25m		13.25m	13.0m	182° / W (FS)	270° / S 56.6m to P21		556 / 0.9"	Stand Off 2x Bolt													
4		13.25m		13.25m	13.0m	182° / W (FS)	95° / N 55.4m to P17		556 / 0.9"	Stand Off 2x Bolt													
5		13.25m		13.25m	13.0m	2° / E (RS)	270° / S 56.6m to P21		556 / 0.9"	Stand Off 2x Bolt													
6		13.25m		13.25m	13.0m	2° / E (RS)	95° / N 55.4m to P17		556 / 0.9"	Stand Off 2x Bolt													
7	Primary (Tier 2)	11.75m		11.75m	11.5m	182° / W (FS)	95° / N 55.4m to P17		556 / 0.9"	Stand Off 2x Bolt													
8		11.75m		11.75m	11.5m	2° / E (RS)	270° / S 56.6m to P21		556 / 0.9"	Stand Off 2x Bolt													
9		11.75m		11.75m	11.5m	182° / W (FS)	270° / S 56.6m to P21		556 / 0.9"	Stand Off 2x Bolt													
10		11.75m		11.75m	11.5m	2° / E (RS)	95° / N 55.4m to P17		556 / 0.9"	Stand Off 2x Bolt													
11	Primary (Tier 3)	10.95m		10.95m	10.7m	182° / W (FS)	95° / N 55.4m to P17		556 / 0.9"	Stand Off 2x Bolt													
12		10.95m		10.95m	10.7m	182° / W (FS)	270° / S 56.6m to P21		556 / 0.9"	Stand Off 2x Bolt													
13	Primary Guy	12.75m				3° / E (RS)	3° / E 12.8m to P20	5/16"															
14	Power Guy	10.45m				3° / E (RS)	3° / E 12.8m to P20	5/16"															
15	Zayo (allstream) Guy	6.9m				3° / E (RS)	3° / E 12.8m to P20	5/16"															
16	Rogers Guy	6.4m				3° / E (RS)	3° / E 12.8m to P20	1/4"															
17	Neutral	9.15m				1° / E (RS)	270° / S 56.6m to P21		336 / 0.7"														
18	Neutral	9.15m				1° / E (RS)	95° / N 55.4m to P17		336 / 0.7"														
19	3W Spun-Bus	8.9m				181° / W (FS)	270° / S 56.6m to P21	unlashed	#4 / 0.25"														
20	3W Spun-Bus	8.9m				181° / W (FS)	95° / N 55.4m to P17	unlashed	#4 / 0.25"														
21	Zayo (allstream)	6.9m				1° / E (RS)	270° / S 56.6m to P21	5/16"															
Cable: Cable: (1x) Fibre 0.8"																							
22	Zayo (allstream)	6.9m				1° / E (RS)	95° / N 55.4m to P17	5/16"															
Cable: Cable: (1x) Fibre 0.8"																							
23	SCBN	6.65m				1° / E (RS)	95° / N 55.4m to P17	1/4"															
Cable: Cable: (1x) Fibre 0.6",(2x) Fibre 0.4"																							
24	SCBN	6.65m				1° / E (RS)	270° / S 56.6m to P21	1/4"															
Cable: Cable: (1x) Fibre 0.6",(2x) Fibre 0.4"																							
25	Rogers	6.4m				1° / E (RS)	95° / N 55.4m to P17	1/4"															
Cable: Cable: (1x) Fibre 0.7",(1x) Fibre 0.6",(1x) Coax 750																							
26	Rogers	6.4m				1° / E (RS)	270° / S 56.6m to P21	1/4"															
Cable: Cable: (1x) Fibre 0.7",(1x) Fibre 0.6",(1x) Coax 750																							

STRUCTURES

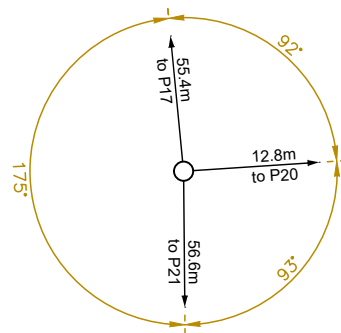
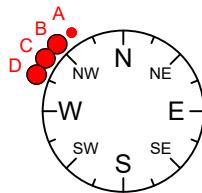
REL	ITEM	TOP	BOTTOM	T.BOLT	B.BOLT	MID HT	PRI DL BUSH HT	SEC DL	WIDTH	DEPTH	DIAM	POSITION	COMPOSITE	DESCRIPTION	QTY	DIPS	BND
27	SL (Cantilever)			8.45m	8.2m			8.0m				1° / E (RS)			1		
28	Switchs			10.5m	10.25m							91° / N		Pole Pos: 99° / N	3	✓	✓
29	Transformers	10.2m	9.2m				10.4m					271° / S		Arrester with Fuse	1		✓
30	TX Fuses			11.0m								271° / S			1		✓
31	Hole(s)											1° / E (RS)			1		

Heights: 5.9m, 6.15m, 7.15m, 7.4m

DIPS

TOP VIEW

- A) Primary VG
- B) 1Ph Pri Dip, Mast: 2.0" Conduit, Cov: 7.47m
- C) 1Ph Pri Dip, Mast: 2.0" Conduit, Cov: 7.36m
- D) 1Ph Pri Dip, Mast: 2.0" Conduit, Cov: 7.7m





44.34696390343484,-79.66958937787246

Front-475 Welham Rd

Surveyor..... Undisclosed

Date Surveyed.. 2020-06-05

Pole ID 1..... P6153

Pole ID 2..... NA

TX Tag(s).....

SW Tag(s).....

Owner..... Alectra

Usage..... Joint

Class..... F

Circumference...-

Height.....40

Composition..... Concrete

Manufacturer.....

Year Mfg..... 1986

Year Install.....

Year Inspect.....

Species.....

Preserve.....

Pole Tilt.....

Top of Pole.....9.77m

Lowest Primary..-

Lowest Sec.....-

Lowest SL.....-

Lowest TL.....-

- PT  Has TX
- Has Primary Dip  Has Sec Dip
- Has Primary SW  Has Power VG
- Has In-Line SW(s)  Has Comm VG
- Has Ambiguous Grade

O/S to BOC/EOP 1..

O/S to BOC/EOP 2..

O/S to SW 1.....

O/S to SW 2.....

O/S to Fence.....

O/S to BOC Tang...

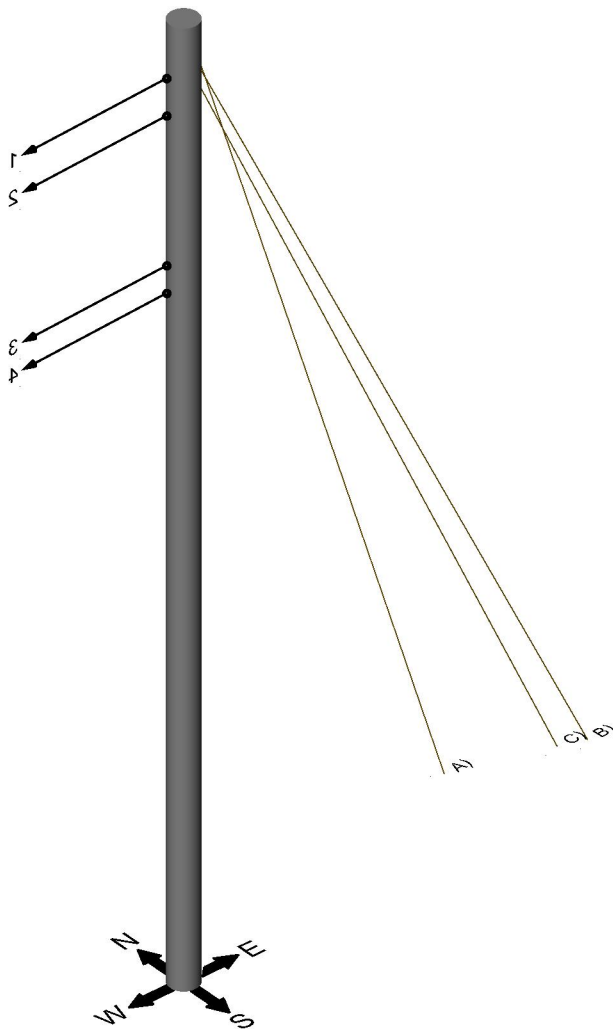
Vert O/S to Grade...-

Common Grade.....

Altitude.....

PDOP:

Condition: Visually OK

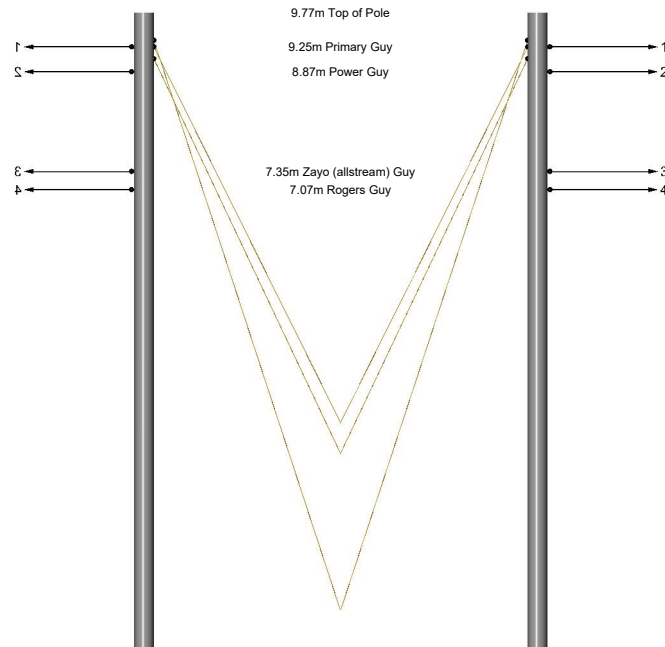
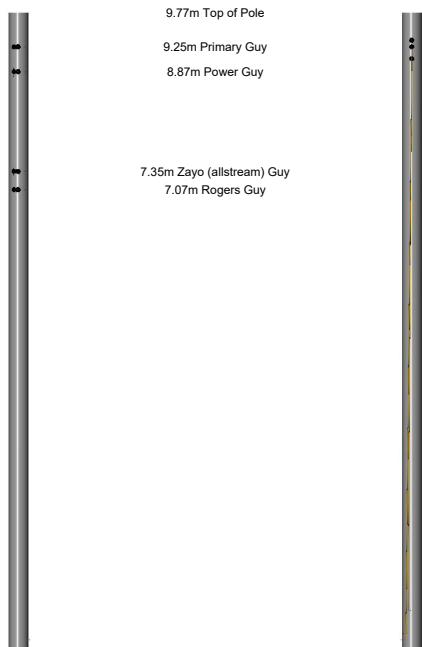


Looking E (RS View)

Looking W (FS View)

Looking N

Looking S



LINE ATTACHMENTS

REL	ITEM / CLIENT	LINE 1	LINE 2	T.BOLT	B.BOLT	POSITION	DIRECTION	STRAND GAUGE	CONDUCT AWG	ATTACH TYPE	ANC	DIPS	BND	SLACK	BROK LASH	FL90	Ex Arm	O/S	kV	SW-P	SW-L	SUB	
1	Primary Guy	9.25m				183° / W (RS)	183° / W 12.8m to P19	5/16"			✓												
2	Power Guy	8.87m				183° / W (RS)	183° / W 12.8m to P19	5/16"			✓												
3	Zayo (allstream) Guy	7.35m				183° / W (RS)	183° / W 12.8m to P19	5/16"			✓												
4	Rogers Guy	7.07m				183° / W (RS)	183° / W 12.8m to P19	1/4"			✓												

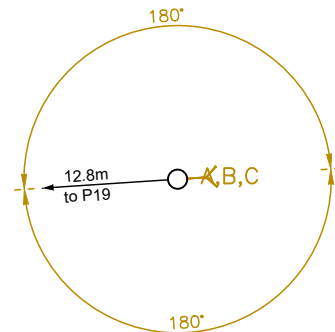
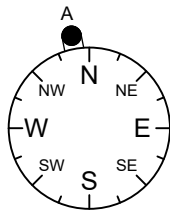
ANCHORS

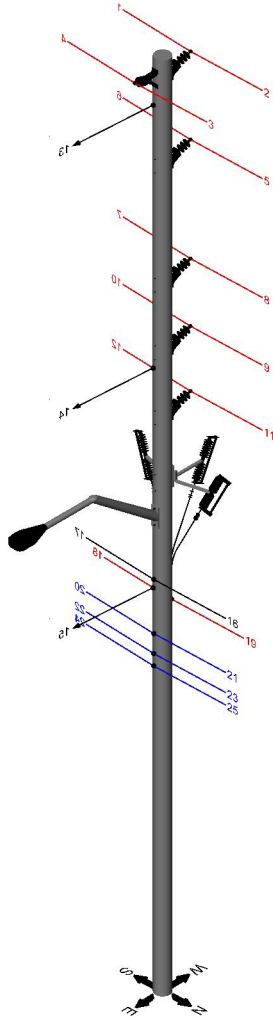
REF	CLIENT	DOWN GUY			SLOPE HEIGHT	DIRECTION	ROD				SW STRUT		MARKER		WISH BONE	AUX EYE
		HEIGHT	GAUGE	LEAD			DIAM	EYE	CONSTR	DEV ANG	CONCEALED	HEIGHT	LENGTH	CONSTR		
A	Zayo (allstream)	9.35m	5/16"	2.85m	0.65m	4° / E	1"	Triple	1x Piece							
B	Power	9.25m	5/16"	4.5m	0.2m	4° / E		Twin			by Earth					
C	Rogers	9.07m	1/4"	4.15m	0.3m	4° / E	11/16"	Twin	2x Piece							

DIPS

TOP VIEW

A) FOC, Mast: 3.0" U-Guard, Cov: 4.46m





44.34644958175553,-79.66975541083174  
Front-474 Welham Rd

Surveyor..... Undisclosed  
Date Surveyed.. 2020-06-05  
Pole ID 1..... P6154  
Pole ID 2..... NA  
TX Tag(s).....  
SW Tag(s)..... SUT 2602 / 474  
Owner..... Alectra  
Usage..... Joint  
Class..... 1  
Circumference...-  
Height..... 65  
Composition..... Wood  
Manufacturer.....  
Year Mfg..... 2011  
Year Install.....  
Year Inspect.....  
Species..... WRC  
Preserve..... CCA  
Pole Tilt.....

Top of Pole..... 17.3m  
Lowest Primary..9.05m  
Lowest Sec..... 7.15m  
Lowest SL..... 6.9m  
Lowest TL..... -

- PT  Has TX
- Has Primary Dip  Has Sec Dip
- Has Primary SW  Has Power VG
- Has In-Line SW(s)  Has Comm VG
- Has Ambiguous Grade

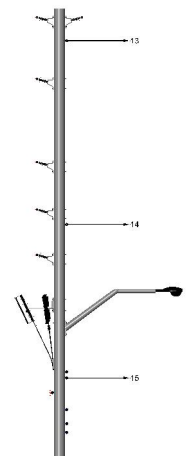
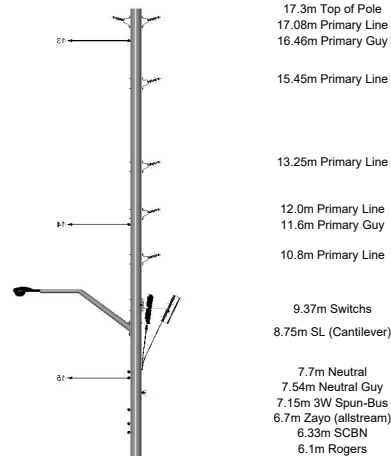
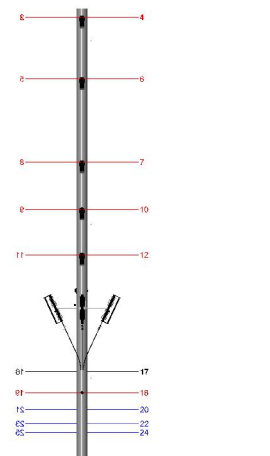
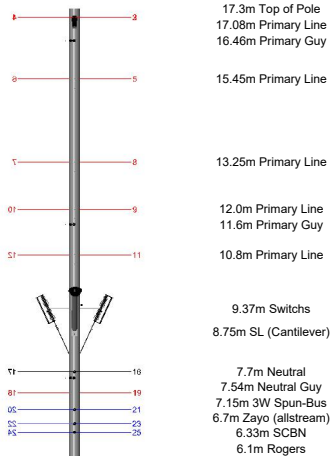
O/S to BOC/EOP 1..  
O/S to BOC/EOP 2..  
O/S to SW 1.....  
O/S to SW 2.....  
O/S to Fence.....  
O/S to BOC Tang...  
Vert O/S to Grade... -  
Common Grade.....  
Altitude..... PDOP:  
Condition: Visually OK

Looking W (RS View)

Looking E (FS View)

Looking S

Looking N



LINE ATTACHMENTS

REL	ITEM / CLIENT	LINE 1	LINE 2	T.BOLT	B.BOLT	POSITION	DIRECTION	STRAND GAUGE	CONDUCT AWG	ATTACH TYPE	ANC	DIPS	BND	SLACK	BROK LASH	FL90	Ex Arm	O/S	kV	SW-P	SW-L	SUB			
1	Primary (Tier 1)	17.08m		17.08m	16.83m	178° / W (FS)	266° / S 54.9m to P23		556 / 0.9"	Stand Off 2x Bolt															
2		17.08m		17.08m	16.83m	178° / W (FS)	90° / N 56.6m to P19		556 / 0.9"	Stand Off 2x Bolt															
3		17.08m		17.08m	16.83m	358° / E (RS)	90° / N 56.6m to P19		556 / 0.9"	Stand Off 2x Bolt															
4		17.08m		17.08m	16.83m	358° / E (RS)	266° / S 54.9m to P23		556 / 0.9"	Stand Off 2x Bolt															
5	Primary (Tier 2)	15.45m		15.45m	15.2m	178° / W (FS)	90° / N 56.6m to P19		556 / 0.9"	Stand Off 2x Bolt															
6		15.45m		15.45m	15.2m	178° / W (FS)	266° / S 54.9m to P23		556 / 0.9"	Stand Off 2x Bolt															
7	Primary (Tier 3)	13.25m		13.25m	13.0m	178° / W (FS)	266° / S 54.9m to P23		556 / 0.9"	Stand Off 2x Bolt															
8		13.25m		13.25m	13.0m	178° / W (FS)	90° / N 56.6m to P19		556 / 0.9"	Stand Off 2x Bolt															
9	Primary (Tier 4)	12.0m		12.0m	11.75m	178° / W (FS)	90° / N 56.6m to P19		556 / 0.9"	Stand Off 2x Bolt															
10		12.0m		12.0m	11.75m	178° / W (FS)	266° / S 54.9m to P23		556 / 0.9"	Stand Off 2x Bolt															
11	Primary (Tier 5)	10.8m		10.8m	10.55m	178° / W (FS)	90° / N 56.6m to P19		556 / 0.9"	Stand Off 2x Bolt															
12		10.8m		10.8m	10.55m	178° / W (FS)	266° / S 54.9m to P23		556 / 0.9"	Stand Off 2x Bolt															
13	Primary Guy	16.46m				355° / E (RS)	355° / E 16.6m to P22	3/8"																	
14	Primary Guy	11.6m				355° / E (RS)	355° / E 16.6m to P22	3/8"																	
15	Neutral Guy	7.54m				355° / E (RS)	355° / E 16.6m to P22	3/8"																	
16	Neutral	7.7m				358° / E (RS)	90° / N 56.6m to P19		336 / 0.7"																
17	Neutral	7.7m				358° / E (RS)	266° / S 54.9m to P23		336 / 0.7"																
18	3W Spun-Bus	7.15m				178° / W (FS)	266° / S 54.9m to P23	unlashed	#4 / 0.25"																
19	3W Spun-Bus	7.15m				178° / W (FS)	90° / N 56.6m to P19	unlashed	#4 / 0.25"																
20	Zayo (allstream)	6.7m				358° / E (RS)	266° / S 54.9m to P23	5/16"																	
Cable: Cable: (1x) Fibre 0.8"																									
21	Zayo (allstream)	6.7m				358° / E (RS)	90° / N 56.6m to P19	5/16"																	
Cable: Cable: (1x) Fibre 0.8"																									
22	SCBN	6.33m				358° / E (RS)	266° / S 54.9m to P23	1/4"																	
Cable: Cable: (1x) Fibre 0.6",(2x) Fibre 0.4"																									
23	SCBN	6.33m				358° / E (RS)	90° / N 56.6m to P19	1/4"																	
Cable: Cable: (1x) Fibre 0.6",(2x) Fibre 0.4"																									
24	Rogers	6.1m				358° / E (RS)	266° / S 54.9m to P23	1/4"																	
Cable: Cable: (1x) Fibre 0.7",(1x) Fibre 0.6",(1x) Coax 750																									
25	Rogers	6.1m				358° / E (RS)	90° / N 56.6m to P19	1/4"																	
Cable: Cable: (1x) Fibre 0.7",(1x) Fibre 0.6",(1x) Coax 750																									

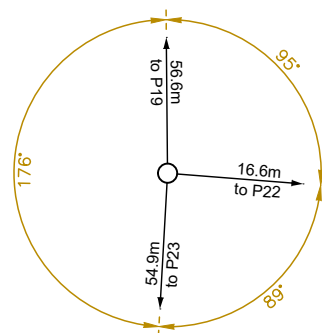
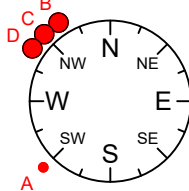
STRUCTURES

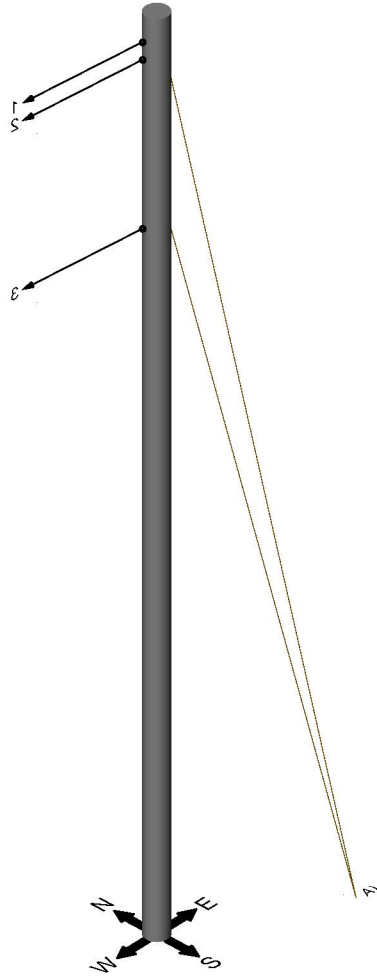
REL	ITEM	TOP	BOTTOM	T.BOLT	B.BOLT	MID HT	PRI DL BUSH HT	SEC DL	WIDTH	DEPTH	DIAM	POSITION	COMPOSITE	DESCRIPTION	QTY	DIPS	BND
26	Switches			9.62m	9.37m							178° / W (FS)		Pole Pos: 99° / N	3	✓	✓
27	SL (Cantilever)			9.0m	8.75m			6.9m				358° / E (RS)			1		

DIPS

TOP VIEW

- A) Primary VG
- B) 1Ph Pri Dip, Mast: 2.0" Conduit, Cov: 7.85m
- C) 1Ph Pri Dip, Mast: 2.0" Conduit, Cov: 7.85m
- D) 1Ph Pri Dip, Mast: 2.0" Conduit, Cov: 7.85m





44.34643540554483,-79.66954775239674  
 Front-481 Welham Rd  
 Surveyor..... Undisclosed  
 Date Surveyed.. 2020-06-05  
 Pole ID 1..... P6155  
 Pole ID 2..... NA  
 TX Tag(s).....  
 SW Tag(s).....  
 Owner..... Alectra  
 Usage..... Power  
 Class..... 2  
 Circumference...-  
 Height.....45  
 Composition..... Wood  
 Manufacturer.....  
 Year Mfg.....2012  
 Year Install.....  
 Year Inspect.....  
 Species..... WRC  
 Preserve..... CCA  
 Pole Tilt.....  
 Top of Pole..... 11.47m  
 Lowest Primary...-  
 Lowest Sec.....-  
 Lowest SL.....-  
 Lowest TL.....-  
 PT  Has TX  
 Has Primary Dip  Has Sec Dip  
 Has Primary SW  Has Power VG  
 Has In-Line SW(s)  Has Comm VG  
 Has Ambiguous Grade  
 O/S to BOC/EOP 1..  
 O/S to BOC/EOP 2..  
 O/S to SW 1.....  
 O/S to SW 2.....  
 O/S to Fence.....  
 O/S to BOC Tang...  
 Vert O/S to Grade...-0.65m  
 Common Grade..... Road  
 Altitude..... PDOP:  
 Condition: Visually OK

Looking E (RS View)

Looking W (FS View)

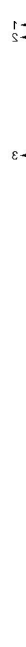
Looking N

Looking S



11.47m Top of Pole  
 11.17m Primary Guy  
 10.95m Primary Guy

8.85m Neutral Guy



11.47m Top of Pole  
 11.17m Primary Guy  
 10.95m Primary Guy

8.85m Neutral Guy



1  
 2  
 3

# Pole 22 (Guy)

## LINE ATTACHMENTS

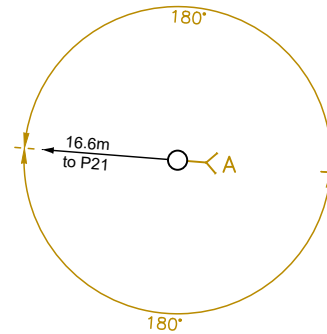
REF	ITEM / CLIENT	LINE 1	LINE 2	T.BOLT	B.BOLT	POSITION	DIRECTION	STRAND GAUGE	CONDUCT AWG	ATTACH TYPE	ANC	DIPS	BND	SLACK	BROK LASH	FL90	Ex Arm	O/S	KV	SW-P	SW-L	SUB		
1	Primary Guy	11.17m				175° / W (RS)	175° / W 16.6m to P21	3/8"			✓													
2	Primary Guy	10.95m				175° / W (RS)	175° / W 16.6m to P21	3/8"			✓													
3	Neutral Guy	8.85m				175° / W (RS)	175° / W 16.6m to P21	3/8"			✓													

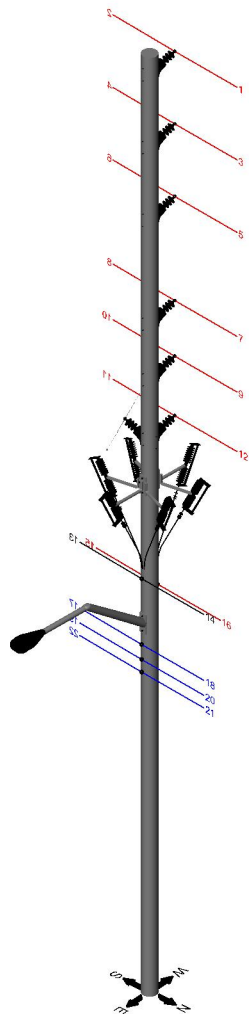
## ANCHORS

REF	CLIENT	DOWN GUY			SLOPE HEIGHT	DIRECTION	ROD					SW STRUT		MARKER		WISH BONE	AUX EYE	
		HEIGHT	GAUGE	LEAD			DIAM	EYE	CONSTR	DEV ANG	CONCEALED	HEIGHT	LENGTH	CONSTR	CONDITION			
A	Primary	10.76m	3/8"	2.6m	-0.85m	355° / E	7/8"	Triple	2x Piece									
	Neutral	8.85m	3/8"															

DIPS

TOP VIEW





44.3459558666095,-79.66980538802116  
 Front-490 Welham Rd  
 Surveyor..... Undisclosed  
 Date Surveyed.. 2020-06-05  
 Pole ID 1..... P6156  
 Pole ID 2..... NA  
 TX Tag(s).....  
 SW Tag(s)..... SUT 2603/4 / 481  
 Owner..... Alectra  
 Usage..... Joint  
 Class..... 1  
 Circumference...-  
 Height..... 80  
 Composition..... Wood  
 Manufacturer.....  
 Year Mfg..... 2011  
 Year Install.....  
 Year Inspect.....  
 Species..... WRC  
 Preserve..... CCA  
 Pole Tilt.....  
**Top of Pole..... 19.4m**  
**Lowest Primary..10.1m**  
**Lowest Sec.....8.33m**  
**Lowest SL.....7.27m**  
**Lowest TL.....-**

PT  Has TX  
 Has Primary Dip  Has Sec Dip  
 Has Primary SW  Has Power VG  
 Has In-Line SW(s)  Has Comm VG  
 Has Ambiguous Grade

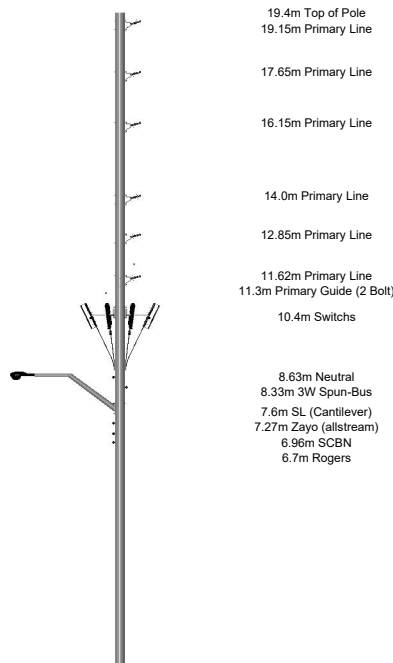
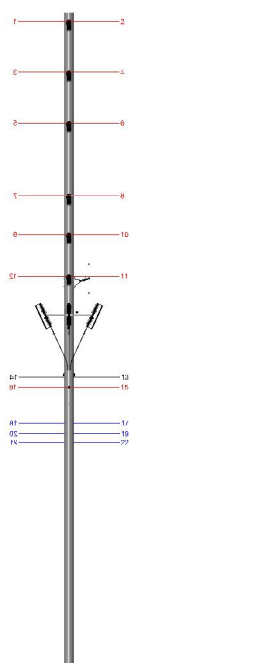
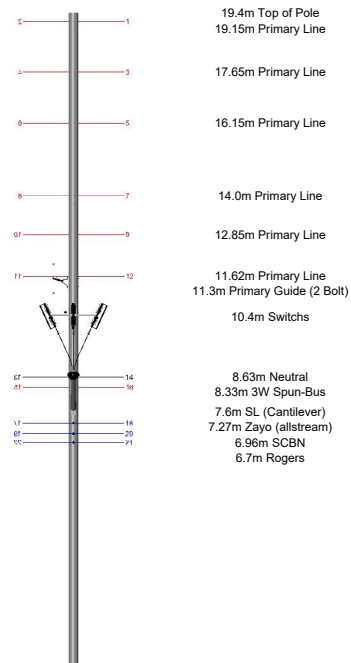
O/S to BOC/EOP 1..  
 O/S to BOC/EOP 2..  
 O/S to SW 1.....  
 O/S to SW 2.....  
 O/S to Fence.....  
 O/S to BOC Tang...  
 Vert O/S to Grade... -  
 Common Grade.....  
 Altitude..... PDOP:  
 Condition: Visually OK

Looking W (RS View)

Looking E (FS View)

Looking S

Looking N



LINE ATTACHMENTS

REL REF	ITEM / CLIENT	LINE 1	LINE 2	T.BOLT	B.BOLT	POSITION	DIRECTION	STRAND GAUGE	CONDUCT AWG	ATTACH TYPE	ANC	DIPS	BND	SLACK	BROK LASH	FL90	Ex Arm	O/S	kV	SW-P	SW-L	SUB		
1	Primary (Tier 1)	19.15m		19.15m	18.9m	176° / W (FS)	86° / N 54.9m to P21		556 / 0.9"	Stand Off 2x Bolt														
2		19.15m		19.15m	18.9m	176° / W (FS)	265° / S 15.8m to P24		556 / 0.9"	Stand Off 2x Bolt														
3	Primary (Tier 2)	17.65m		17.65m	17.4m	176° / W (FS)	86° / N 54.9m to P21		556 / 0.9"	Stand Off 2x Bolt														
4		17.65m		17.65m	17.4m	176° / W (FS)	265° / S 15.8m to P24		556 / 0.9"	Stand Off 2x Bolt														
5	Primary (Tier 3)	16.15m		16.15m	15.9m	176° / W (FS)	86° / N 54.9m to P21		556 / 0.9"	Stand Off 2x Bolt														
6		16.15m		16.15m	15.9m	176° / W (FS)	265° / S 15.8m to P24		556 / 0.9"	Stand Off 2x Bolt														
7	Primary (Tier 4)	14.0m		14.0m	13.75m	176° / W (FS)	86° / N 54.9m to P21		556 / 0.9"	Stand Off 2x Bolt														
8		14.0m		14.0m	13.75m	176° / W (FS)	265° / S 15.8m to P24		556 / 0.9"	Stand Off 2x Bolt														
9	Primary (Tier 5)	12.85m		12.85m	12.6m	176° / W (FS)	86° / N 54.9m to P21		556 / 0.9"	Stand Off 2x Bolt														
10		12.85m		12.85m	12.6m	176° / W (FS)	265° / S 15.8m to P24		556 / 0.9"	Stand Off 2x Bolt														
11	Primary (Tier 6)	11.62m		11.62m	11.37m	176° / W (FS)	265° / S 15.8m to P24		556 / 0.9"	Stand Off 2x Bolt														
12		11.62m		11.62m	11.37m	176° / W (FS)	86° / N 54.9m to P21		556 / 0.9"	Stand Off 2x Bolt														
13	Neutral	8.63m				356° / E (RS)	265° / S 15.8m to P24		336 / 0.7"															
14	Neutral	8.63m				356° / E (RS)	86° / N 54.9m to P21		336 / 0.7"															
15	3W Spun-Bus	8.33m				176° / W (FS)	265° / S 15.8m to P24	unlashed	#4 / 0.25"															
16	3W Spun-Bus	8.33m				176° / W (FS)	86° / N 54.9m to P21	unlashed	#4 / 0.25"															
17	Zayo (allstream)	7.27m				356° / E (RS)	265° / S 15.8m to P24	5/16"																
Cable: Cable: (1x) Fibre 0.8"																								
18	Zayo (allstream)	7.27m				356° / E (RS)	86° / N 54.9m to P21	5/16"																
Cable: Cable: (1x) Fibre 0.8"																								
19	SCBN	6.96m				356° / E (RS)	265° / S 15.8m to P24	1/4"																
Cable: Cable: (1x) Fibre 0.6",(2x) Fibre 0.4"																								
20	SCBN	6.96m				356° / E (RS)	86° / N 54.9m to P21	1/4"																
Cable: Cable: (1x) Fibre 0.6",(2x) Fibre 0.4"																								
21	Rogers	6.7m				356° / E (RS)	86° / N 54.9m to P21	1/4"																
Cable: Cable: (1x) Fibre 0.7",(1x) Fibre 0.6",(1x) Coax 750																								
22	Rogers	6.7m				356° / E (RS)	265° / S 15.8m to P24	1/4"																
Cable: Cable: (1x) Fibre 0.7",(1x) Fibre 0.6",(1x) Coax 750																								

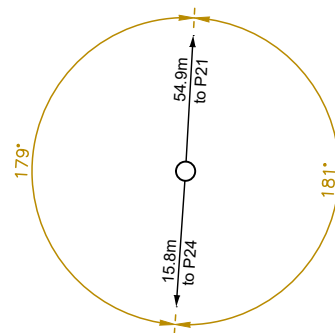
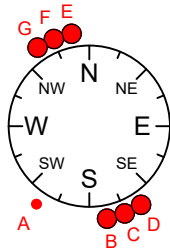
STRUCTURES

REL REF	ITEM	TOP	BOTTOM	T.BOLT	B.BOLT	MID HT	PRI DL BUSH HT	SEC DL	WIDTH	DEPTH	DIAM	POSITION	COMPOSITE	DESCRIPTION	QTY	DIPS	BND
23	Primary Guide (2 Bolt)			11.55m	11.3m							266° / S			1		
24	Switchs			10.7m	10.4m							176° / W (FS)		Pole Pos: 99° / N	3	✓	✓
25	Switchs			10.7m	10.4m							356° / E (RS)		Pole Pos: 99° / N	3	✓	✓
26	SL (Cantilever)			7.85m	7.6m			7.27m				356° / E (RS)			1		

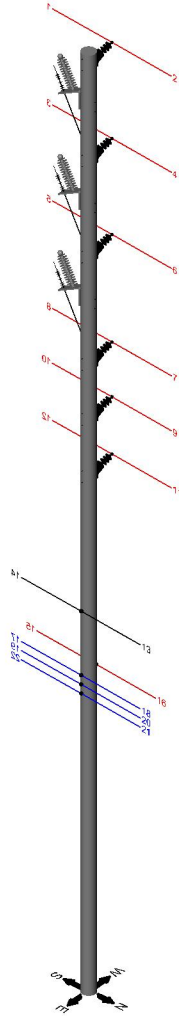
DIPS

TOP VIEW

- A) Primary VG
- B) 1Ph Pri Dip, Mast: 2.0" Conduit, Cov: 7.75m
- C) 1Ph Pri Dip, Mast: 2.0" Conduit, Cov: 7.8m
- D) 1Ph Pri Dip, Mast: 2.0" Conduit, Cov: 7.7m
- E) 1Ph Pri Dip, Mast: 2.0" Conduit, Cov: 7.7m
- F) 1Ph Pri Dip, Mast: 2.0" Conduit, Cov: 7.7m
- G) 1Ph Pri Dip, Mast: 2.0" Conduit, Cov: 7.7m







44.34581461173173,-79.66982216368085  
 Front-490 Welham Rd  
 Surveyor..... Undisclosed  
 Date Surveyed.. 2020-06-05  
 Pole ID 1..... P12776  
 Pole ID 2..... NA  
 TX Tag(s).....  
 SW Tag(s)..... LJB35869  
 Owner..... Alectra  
 Usage..... Joint  
 Class..... 1  
 Circumference...-  
 Height..... 80  
 Composition..... Wood  
 Manufacturer.....  
 Year Mfg..... 2009  
 Year Install.....  
 Year Inspect.....  
 Species..... WRC  
 Preserve..... CCA  
 Pole Tilt.....  
**Top of Pole..... 20.55m**  
**Lowest Primary.. 11.45m**  
**Lowest Sec..... 7.05m**  
**Lowest SL..... -**  
**Lowest TL..... -**

PT  Has TX  
 Has Primary Dip  Has Sec Dip  
 Has Primary SW  Has Power VG  
 Has In-Line SW(s)  Has Comm VG  
 Has Ambiguous Grade

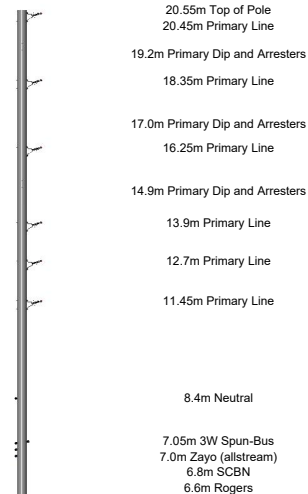
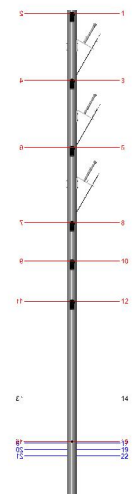
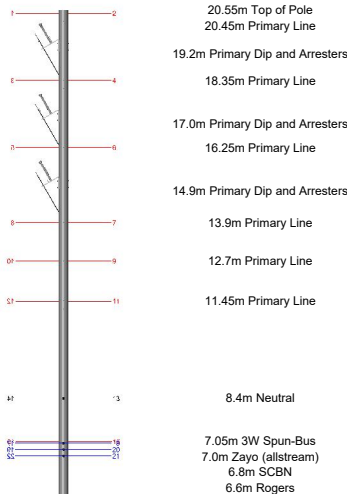
O/S to BOC/EOP 1..  
 O/S to BOC/EOP 2..  
 O/S to SW 1.....  
 O/S to SW 2.....  
 O/S to Fence.....  
 O/S to BOC Tang...  
 Vert O/S to Grade... -  
 Common Grade.....  
 Altitude..... PDOP:  
 Condition: Visually OK

Looking W (RS View)

Looking E (FS View)

Looking S

Looking N



LINE ATTACHMENTS

REL	ITEM / CLIENT	LINE 1	LINE 2	T.BOLT	B.BOLT	POSITION	DIRECTION	STRAND GAUGE	CONDUCT AWG	ATTACH TYPE	ANC	DIPS	BND	SLACK	BROK LASH	FL90	Ex Arm	O/S	kV	SW-P	SW-L	SUB		
1	Primary (Tier 1)	20.45m		20.45m	20.2m	175° / W (FS)	266° / S 17.3m to P25		556 / 0.9"	Stand Off 2x Bolt														
2		20.45m		20.45m	20.2m	175° / W (FS)	85° / N 15.8m to P23		556 / 0.9"	Stand Off 2x Bolt														
3	Primary (Tier 2)	18.35m		18.35m	18.1m	175° / W (FS)	266° / S 17.3m to P25		556 / 0.9"	Stand Off 2x Bolt														
4		18.35m		18.35m	18.1m	175° / W (FS)	85° / N 15.8m to P23		556 / 0.9"	Stand Off 2x Bolt														
5	Primary (Tier 3)	16.25m		16.25m	16.0m	175° / W (FS)	266° / S 17.3m to P25		556 / 0.9"	Stand Off 2x Bolt														
6		16.25m		16.25m	16.0m	175° / W (FS)	85° / N 15.8m to P23		556 / 0.9"	Stand Off 2x Bolt														
7	Primary (Tier 4)	13.9m		13.9m	13.65m	175° / W (FS)	85° / N 15.8m to P23		556 / 0.9"	Stand Off 2x Bolt														
8		13.9m		13.9m	13.65m	175° / W (FS)	266° / S 17.3m to P25		556 / 0.9"	Stand Off 2x Bolt														
9	Primary (Tier 5)	12.7m		12.7m	12.45m	175° / W (FS)	85° / N 15.8m to P23		556 / 0.9"	Stand Off 2x Bolt														
10		12.7m		12.7m	12.45m	175° / W (FS)	266° / S 17.3m to P25		556 / 0.9"	Stand Off 2x Bolt														
11	Primary (Tier 6)	11.45m		11.45m	11.2m	175° / W (FS)	85° / N 15.8m to P23		556 / 0.9"	Stand Off 2x Bolt														
12		11.45m		11.45m	11.2m	175° / W (FS)	266° / S 17.3m to P25		556 / 0.9"	Stand Off 2x Bolt														
13	Neutral	8.4m				355° / E (RS)	85° / N 15.8m to P23		336 / 0.7"															
14	Neutral	8.4m				355° / E (RS)	266° / S 17.3m to P25		336 / 0.7"															
15	3W Spun-Bus	7.05m				175° / W (FS)	266° / S 17.3m to P25	unlashed	#4 / 0.25"															
Not actually attached; pass by height																								
16	3W Spun-Bus	7.05m				175° / W (FS)	85° / N 15.8m to P23	unlashed	#4 / 0.25"															
Not actually attached; pass by height																								
17	Zayo (allstream)	7.0m				355° / E (RS)	266° / S 17.3m to P25	5/16"																
Cable: Cable: (1x) Fibre 0.8"																								
18	Zayo (allstream)	7.0m				355° / E (RS)	85° / N 15.8m to P23	5/16"																
Cable: Cable: (1x) Fibre 0.8"																								
19	SCBN	6.8m				355° / E (RS)	266° / S 17.3m to P25	1/4"																
Cable: Cable: (1x) Fibre 0.6",(2x) Fibre 0.4"; Equip: LB: Full Span																								
20	SCBN	6.8m				355° / E (RS)	85° / N 15.8m to P23	1/4"																
Cable: Cable: (1x) Fibre 0.6",(2x) Fibre 0.4"																								
21	Rogers	6.6m				355° / E (RS)	85° / N 15.8m to P23	1/4"																
Cable: Cable: (1x) Fibre 0.7",(1x) Fibre 0.6",(1x) Coax 750																								
22	Rogers	6.6m				355° / E (RS)	266° / S 17.3m to P25	1/4"																
Cable: Cable: (1x) Fibre 0.7",(1x) Fibre 0.6",(1x) Coax 625																								

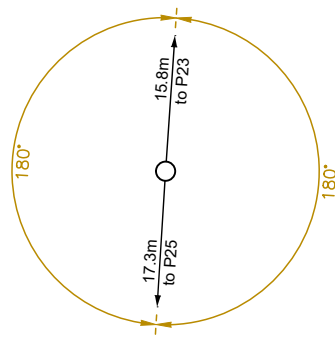
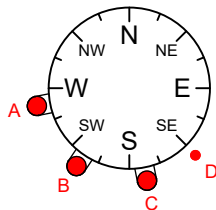
STRUCTURES

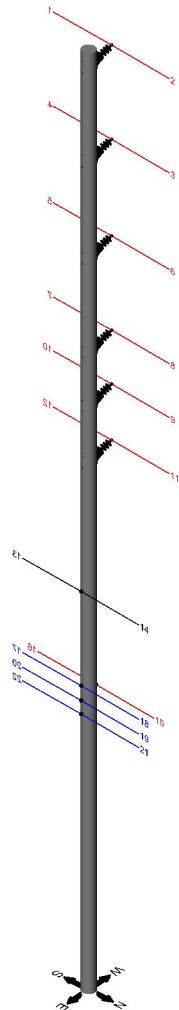
REF	ITEM	TOP	BOTTOM	T.BOLT	B.BOLT	MID HT	PRI DL BUSH HT	SEC DL	WIDTH	DEPTH	DIAM	POSITION	COMPOSITE	DESCRIPTION	QTY	DIPS	BND
23	Primary Dip and Arresters			19.5m	19.2m							265° / S			1	✓	✓
24	Primary Dip and Arresters			17.3m	17.0m							265° / S			1	✓	✓
25	Primary Dip and Arresters			15.2m	14.9m							265° / S			1	✓	✓

DIPS

TOP VIEW

- A) 1Ph Pri Dip, Mast: 4.0" U-Guard, Cov: 8.5m
- B) 1Ph Pri Dip, Mast: 4.0" U-Guard, Cov: 8.8m
- C) 1Ph Pri Dip, Mast: 4.0" U-Guard, Cov: 8.7m
- D) Primary VG





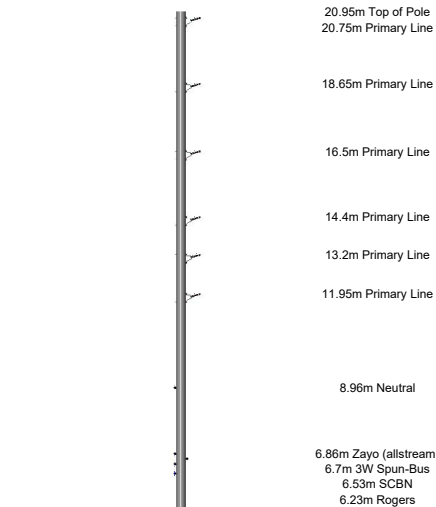
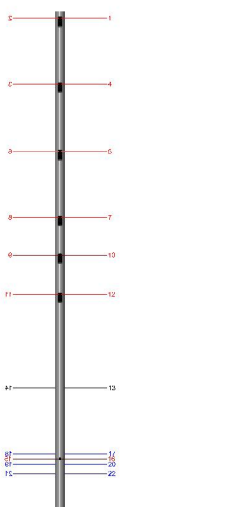
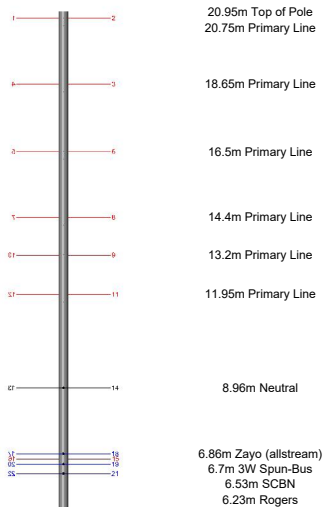
44.34565955329519,-79.6698391511383  
 Front-490 Welham Rd  
 Surveyor..... Undisclosed  
 Date Surveyed.. 2020-06-05  
 Pole ID 1..... P12775  
 Pole ID 2..... NA  
 TX Tag(s).....  
 SW Tag(s).....  
 Owner..... Alectra  
 Usage..... Joint  
 Class..... 1  
 Circumference...-  
 Height..... 80  
 Composition..... Wood  
 Manufacturer.....  
 Year Mfg..... 2011  
 Year Install.....  
 Year Inspect.....  
 Species..... WRC  
 Preserve..... CCA  
 Pole Tilt.....  
 Top of Pole..... 20.95m  
 Lowest Primary.. 11.95m  
 Lowest Sec..... 6.7m  
 Lowest SL..... -  
 Lowest TL..... -  
 PT  Has TX  
 Has Primary Dip  Has Sec Dip  
 Has Primary SW  Has Power VG  
 Has In-Line SW(s)  Has Comm VG  
 Has Ambiguous Grade  
 O/S to BOC/EOP 1..  
 O/S to BOC/EOP 2..  
 O/S to SW 1.....  
 O/S to SW 2.....  
 O/S to Fence.....  
 O/S to BOC Tang...  
 Vert O/S to Grade... -  
 Common Grade.....  
 Altitude..... - PDOP:  
 Condition: Visually OK

Looking W (RS View)

Looking E (FS View)

Looking S

Looking N



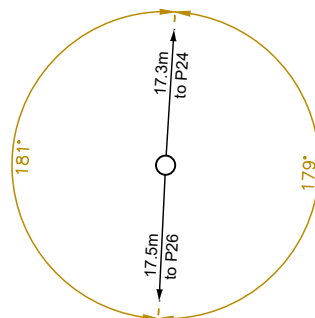
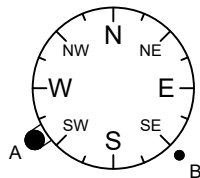
LINE ATTACHMENTS

REL	ITEM / CLIENT	LINE 1	LINE 2	T.BOLT	B.BOLT	POSITION	DIRECTION	STRAND GAUGE	CONDUCT AWG	ATTACH TYPE	ANC	DIPS	BND	SLACK	BROK LASH	FL90	Ex Arm	O/S	KV	SW-P	SW-L	SUB		
1	Primary (Tier 1)	20.75m		20.75m	20.5m	176° / W (FS)	266° / S 17.5m to P26		556 / 0.9"	Stand Off 2x Bolt														
2		20.75m		20.75m	20.5m	176° / W (FS)	86° / N 17.3m to P24		556 / 0.9"	Stand Off 2x Bolt														
3	Primary (Tier 2)	18.65m		18.65m	18.4m	176° / W (FS)	86° / N 17.3m to P24		556 / 0.9"	Stand Off 2x Bolt														
4		18.65m		18.65m	18.4m	176° / W (FS)	266° / S 17.5m to P26		556 / 0.9"	Stand Off 2x Bolt														
5	Primary (Tier 3)	16.5m		16.5m	16.25m	176° / W (FS)	266° / S 17.5m to P26		556 / 0.9"	Stand Off 2x Bolt														
6		16.5m		16.5m	16.25m	176° / W (FS)	86° / N 17.3m to P24		556 / 0.9"	Stand Off 2x Bolt														
7	Primary (Tier 4)	14.4m		14.4m	14.15m	176° / W (FS)	266° / S 17.5m to P26		556 / 0.9"	Stand Off 2x Bolt														
8		14.4m		14.4m	14.15m	176° / W (FS)	86° / N 17.3m to P24		556 / 0.9"	Stand Off 2x Bolt														
9	Primary (Tier 5)	13.2m		13.2m	12.95m	176° / W (FS)	86° / N 17.3m to P24		556 / 0.9"	Stand Off 2x Bolt														
10		13.2m		13.2m	12.95m	176° / W (FS)	266° / S 17.5m to P26		556 / 0.9"	Stand Off 2x Bolt														
11	Primary (Tier 6)	11.95m		11.95m	11.7m	176° / W (FS)	86° / N 17.3m to P24		556 / 0.9"	Stand Off 2x Bolt														
12		11.95m		11.95m	11.7m	176° / W (FS)	266° / S 17.5m to P26		556 / 0.9"	Stand Off 2x Bolt														
13	Neutral	8.96m				356° / E (RS)	266° / S 17.5m to P26		336 / 0.7"															
14	Neutral	8.96m				356° / E (RS)	86° / N 17.3m to P24		336 / 0.7"															
15	3W Spun-Bus	6.7m				176° / W (FS)	86° / N 17.3m to P24	unlashed	#4 / 0.25"															
Not actually attached; pass by height																								
16	3W Spun-Bus	6.7m				176° / W (FS)	266° / S 17.5m to P26	unlashed	#4 / 0.25"															
Not actually attached; pass by height																								
17	Zayo (allstream)	6.86m				356° / E (RS)	266° / S 17.5m to P26	5/16"																
Cable: Cable: (1x) Fibre 0.8"																								
18	Zayo (allstream)	6.86m				356° / E (RS)	86° / N 17.3m to P24	5/16"																
Cable: Cable: (1x) Fibre 0.8"																								
19	SCBN	6.53m				356° / E (RS)	86° / N 17.3m to P24	1/4"																
Cable: Cable: (1x) Fibre 0.6",(2x) Fibre 0.4"; Equip: LB: Full Span																								
20	SCBN	6.53m				356° / E (RS)	266° / S 17.5m to P26	1/4"																
Cable: Cable: (1x) Fibre 0.6",(2x) Fibre 0.4"; Equip: LB: Full Span																								
21	Rogers	6.23m				356° / E (RS)	86° / N 17.3m to P24	1/4"																
Cable: Cable: (1x) Fibre 0.7",(1x) Fibre 0.6",(1x) Coax 625																								
22	Rogers	6.23m				356° / E (RS)	266° / S 17.5m to P26	1/4"																
Cable: Cable: (1x) Fibre 0.8",(1x) Fibre 0.6",(1x) Coax 750																								

DIPS

TOP VIEW

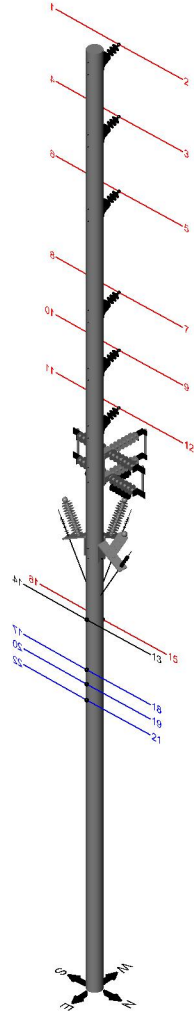
- A) Rogers FOC, Mast: 3.0" U-Guard, Cov: 2.45m
- B) Comm VG



44.34550204798522,-79.66985319064824  
 Front-490 Welham Rd  
 Surveyor..... Undisclosed  
 Date Surveyed.. 2020-06-05  
 Pole ID 1..... P6157  
 Pole ID 2..... NA  
 TX Tag(s).....  
 SW Tag(s)..... SU335729  
 Owner..... Alectra  
 Usage..... Joint  
 Class..... 1  
 Circumference...-  
 Height.....  
 Composition..... Wood  
 Manufacturer.....  
 Year Mfg.....2010  
 Year Install.....  
 Year Inspect.....  
 Species..... WRC  
 Preserve..... CCA  
 Pole Tilt.....  
**Top of Pole..... 19.5m**  
**Lowest Primary..9.9m**  
**Lowest Sec.....7.56m**  
**Lowest SL.....-**  
**Lowest TL.....-**

PT  Has TX  
 Has Primary Dip  Has Sec Dip  
 Has Primary SW  Has Power VG  
 Has In-Line SW(s)  Has Comm VG  
 Has Ambiguous Grade

O/S to BOC/EOP 1..  
 O/S to BOC/EOP 2..  
 O/S to SW 1.....  
 O/S to SW 2.....  
 O/S to Fence.....  
 O/S to BOC Tang...  
 Vert O/S to Grade... -  
 Common Grade.....  
 Altitude..... PDOP:  
 Condition: Visually OK

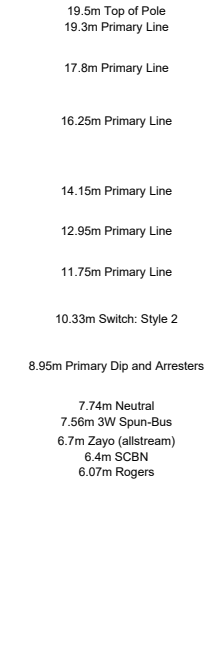
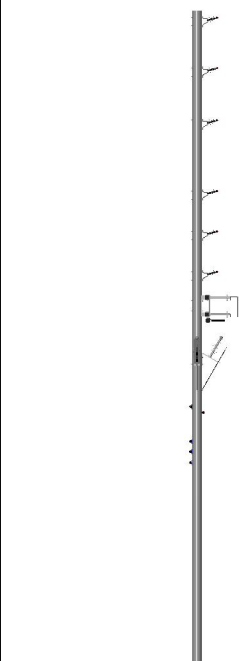
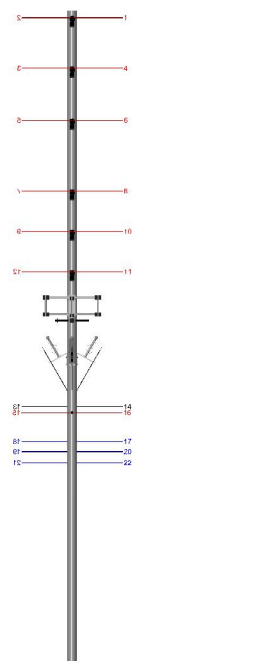
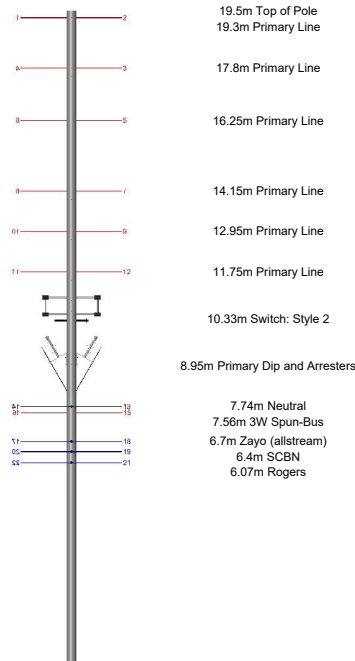


Looking W (RS View)

Looking E (FS View)

Looking S

Looking N



LINE ATTACHMENTS

REL	ITEM / CLIENT	LINE 1	LINE 2	T.BOLT	B.BOLT	POSITION	DIRECTION	STRAND GAUGE	CONDUCT AWG	ATTACH TYPE	ANC	DIPS	BND	SLACK	BROK LASH	FL90	Ex Arm	O/S	kV	SW-P	SW-L	SUB		
1	Primary (Tier 1)	19.3m		19.3m	19.05m	176° / W (FS)	266° / S 17.25m to P27		556 / 0.9"	Stand Off 2x Bolt														
2		19.3m		19.3m	19.05m	176° / W (FS)	86° / N 17.5m to P25		556 / 0.9"	Stand Off 2x Bolt														
3	Primary (Tier 2)	17.8m		17.8m	17.55m	176° / W (FS)	86° / N 17.5m to P25		556 / 0.9"	Stand Off 2x Bolt														
4		17.8m		17.8m	17.55m	176° / W (FS)	266° / S 17.25m to P27		556 / 0.9"	Stand Off 2x Bolt														
5	Primary (Tier 3)	16.25m		16.25m	16.0m	176° / W (FS)	86° / N 17.5m to P25		556 / 0.9"	Stand Off 2x Bolt														
6		16.25m		16.25m	16.0m	176° / W (FS)	266° / S 17.25m to P27		556 / 0.9"	Stand Off 2x Bolt														
7	Primary (Tier 4)	14.15m		14.15m	13.9m	176° / W (FS)	86° / N 17.5m to P25		556 / 0.9"	Stand Off 2x Bolt														
8		14.15m		14.15m	13.9m	176° / W (FS)	266° / S 17.25m to P27		556 / 0.9"	Stand Off 2x Bolt														
9	Primary (Tier 5)	12.95m		12.95m	12.7m	176° / W (FS)	86° / N 17.5m to P25		556 / 0.9"	Stand Off 2x Bolt														
10		12.95m		12.95m	12.7m	176° / W (FS)	266° / S 17.25m to P27		556 / 0.9"	Stand Off 2x Bolt														
11	Primary (Tier 6)	11.75m		11.75m	11.5m	176° / W (FS)	266° / S 17.25m to P27		556 / 0.9"	Stand Off 2x Bolt														
12		11.75m		11.75m	11.5m	176° / W (FS)	86° / N 17.5m to P25		556 / 0.9"	Stand Off 2x Bolt														
13	Neutral	7.74m				355° / E (RS)	86° / N 17.5m to P25		336 / 0.7"															
14	Neutral	7.74m				355° / E (RS)	266° / S 17.25m to P27		336 / 0.7"															
15	3W Spun-Bus	7.56m				175° / W (FS)	86° / N 17.5m to P25	unlashed	#4 / 0.25"															
16	3W Spun-Bus	7.56m				175° / W (FS)	266° / S 17.25m to P27	unlashed	#4 / 0.25"															
17	Zayo (allstream)	6.7m				355° / E (RS)	266° / S 17.25m to P27	5/16"																
Cable: Cable: (1x) Fibre 0.8"																								
18	Zayo (allstream)	6.7m				355° / E (RS)	86° / N 17.5m to P25	5/16"																
Cable: Cable: (1x) Fibre 0.8"																								
19	SCBN	6.4m				355° / E (RS)	86° / N 17.5m to P25	1/4"																
Cable: Cable: (1x) Fibre 0.6",(2x) Fibre 0.4"; Equip: LB: Full Span																								
20	SCBN	6.4m				355° / E (RS)	266° / S 17.25m to P27	1/4"																
Cable: Cable: (1x) Fibre 0.6",(1x) Fibre 0.4"																								
21	Rogers	6.07m				355° / E (RS)	86° / N 17.5m to P25	1/4"																
Cable: Cable: (1x) Fibre 0.8",(1x) Fibre 0.6",(1x) Coax 750																								
22	Rogers	6.07m				355° / E (RS)	266° / S 17.25m to P27	1/4"																
Cable: Cable: (1x) Fibre 0.8",(1x) Fibre 0.6",(1x) Coax 750																								

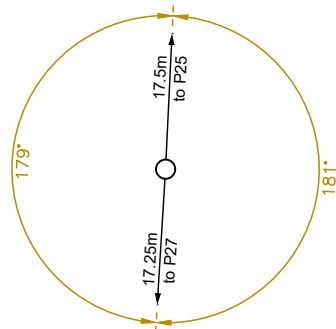
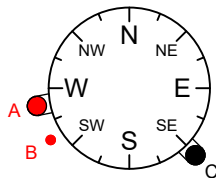
STRUCTURES

REF	ITEM	TOP	BOTTOM	T.BOLT	B.BOLT	MID HT	PRI DL BUSH HT	SEC DL	WIDTH	DEPTH	DIAM	POSITION	COMPOSITE	DESCRIPTION	QTY	DIPS	BND
23	Switch: Style 2			10.58m	10.33m							175° / W (FS)		Pole Pos: 99° / N	3	✓	✓
24	Primary Dip and Arresters			9.2m	8.95m							175° / W (FS)			3	✓	✓

DIPS

TOP VIEW

- A) 3Ph Pri Dip, Mast: 5.0" U-Guard, Cov: 8.13m
- B) Primary VG
- C) SCBN FOC, Mast: 2.0" U-Guard, Cov: 4.63m



44.34534718235737,-79.66986998992414

Front-490 Welham Rd

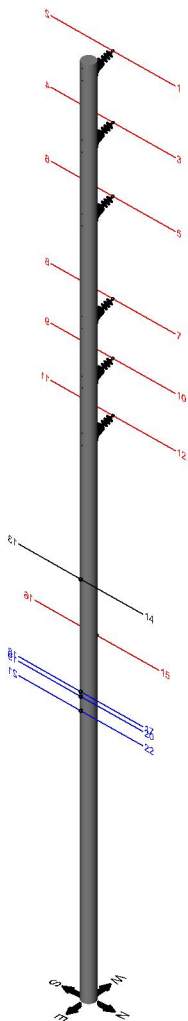
Surveyor..... Undisclosed  
 Date Surveyed.. 2020-06-05  
 Pole ID 1..... P12774  
 Pole ID 2..... NA  
 TX Tag(s).....  
 SW Tag(s).....  
 Owner..... Alectra  
 Usage..... Joint  
 Class..... 1  
 Circumference...-  
 Height..... 75  
 Composition..... Wood  
 Manufacturer.....  
 Year Mfg.....2011  
 Year Install.....  
 Year Inspect.....  
 Species..... WRC  
 Preserve..... CCA  
 Pole Tilt.....

Top of Pole..... 19.7m  
 Lowest Primary..11.95m  
 Lowest Sec.....7.54m  
 Lowest SL.....-  
 Lowest TL.....-

- PT  Has TX
- Has Primary Dip  Has Sec Dip
- Has Primary SW  Has Power VG
- Has In-Line SW(s)  Has Comm VG
- Has Ambiguous Grade

O/S to BOC/EOP 1..  
 O/S to BOC/EOP 2..  
 O/S to SW 1.....  
 O/S to SW 2.....  
 O/S to Fence.....  
 O/S to BOC Tang...  
 Vert O/S to Grade... -  
 Common Grade.....  
 Altitude.....  
 Condition: Visually OK

PDOP:

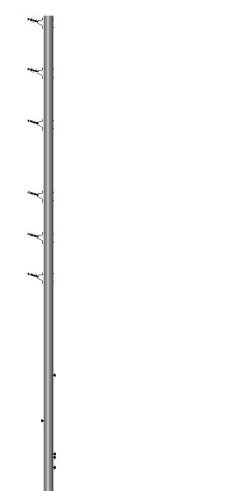
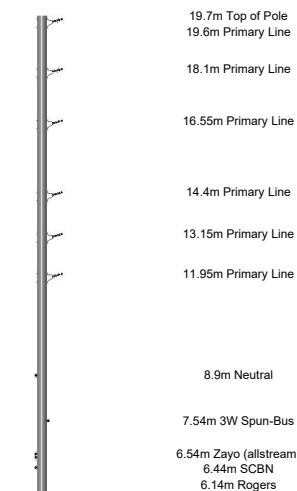
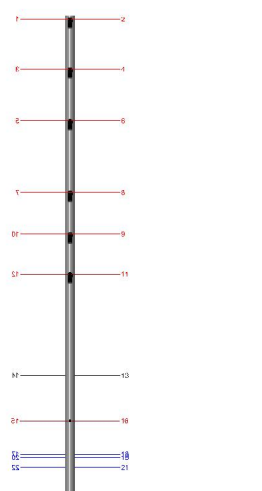
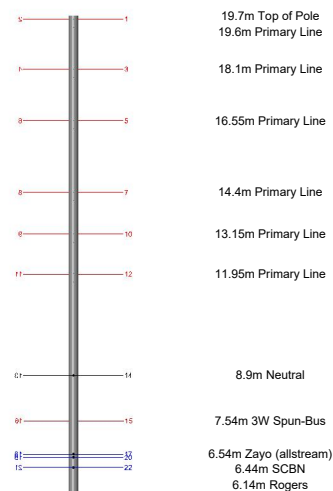


Looking W (RS View)

Looking E (FS View)

Looking S

Looking N

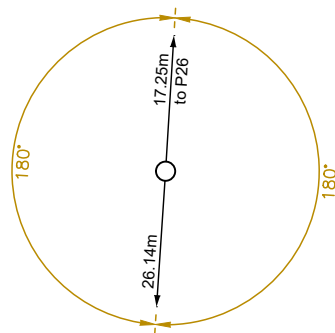


LINE ATTACHMENTS

REL	ITEM / CLIENT	LINE 1	LINE 2	T.BOLT	B.BOLT	POSITION	DIRECTION	STRAND GAUGE	CONDUCT AWG	ATTACH TYPE	ANC	DIPS	BND	SLACK	BROK LASH	FL90	Ex Arm	O/S	kV	SW-P	SW-L	SUB		
1	Primary (Tier 1)	19.6m		19.6m	19.35m	175° / W (FS)	86° / N 17.25m to P26		556 / 0.9"	Stand Off 2x Bolt														
2		19.6m		19.6m	19.35m	175° / W (FS)	265° / S 26.14m to P28c		556 / 0.9"	Stand Off 2x Bolt														
3	Primary (Tier 2)	18.1m		18.1m	17.85m	175° / W (FS)	86° / N 17.25m to P26		556 / 0.9"	Stand Off 2x Bolt														
4		18.1m		18.1m	17.85m	175° / W (FS)	265° / S 26.14m to P28c		556 / 0.9"	Stand Off 2x Bolt														
5	Primary (Tier 3)	16.55m		16.55m	16.3m	175° / W (FS)	86° / N 17.25m to P26		556 / 0.9"	Stand Off 2x Bolt														
6		16.55m		16.55m	16.3m	175° / W (FS)	265° / S 26.14m to P28c		556 / 0.9"	Stand Off 2x Bolt														
7	Primary (Tier 4)	14.4m		14.4m	14.15m	175° / W (FS)	86° / N 17.25m to P26		556 / 0.9"	Stand Off 2x Bolt														
8		14.4m		14.4m	14.15m	175° / W (FS)	265° / S 26.14m to P28c		556 / 0.9"	Stand Off 2x Bolt														
9	Primary (Tier 5)	13.15m		13.15m	12.9m	175° / W (FS)	265° / S 26.14m to P28c		556 / 0.9"	Stand Off 2x Bolt														
10		13.15m		13.15m	12.9m	175° / W (FS)	86° / N 17.25m to P26		556 / 0.9"	Stand Off 2x Bolt														
11	Primary (Tier 6)	11.95m		11.95m	11.7m	175° / W (FS)	265° / S 26.14m to P28c		556 / 0.9"	Stand Off 2x Bolt														
12		11.95m		11.95m	11.7m	175° / W (FS)	86° / N 17.25m to P26		556 / 0.9"	Stand Off 2x Bolt														
13	Neutral	8.9m				355° / E (RS)	265° / S 26.14m to P28c		336 / 0.7"															
14	Neutral	8.9m				355° / E (RS)	86° / N 17.25m to P26		336 / 0.7"															
15	3W Spun-Bus	7.54m				175° / W (FS)	86° / N 17.25m to P26	unlashed	#4 / 0.25"															
16	3W Spun-Bus	7.54m				175° / W (FS)	265° / S 26.14m to P28c	unlashed	#4 / 0.25"															
17	Zayo (allstream)	6.54m				355° / E (RS)	86° / N 17.25m to P26	5/16"																
Cable: Cable: (1x) Fibre 0.8"																								
18	Zayo (allstream)	6.54m				355° / E (RS)	265° / S 26.14m to P28c	5/16"																
Cable: Cable: (1x) Fibre 0.8"																								
19	SCBN	6.44m				355° / E (RS)	265° / S 26.14m to P28c	1/4"																
Cable: Cable: (1x) Fibre 0.6",(1x) Fibre 0.4"																								
20	SCBN	6.44m				355° / E (RS)	86° / N 17.25m to P26	1/4"																
Cable: Cable: (1x) Fibre 0.6",(1x) Fibre 0.4"																								
21	Rogers	6.14m				355° / E (RS)	265° / S 26.14m to P28c	1/4"																
Cable: Cable: (1x) Fibre 0.8",(1x) Fibre 0.6",(1x) Coax 750																								
22	Rogers	6.14m				355° / E (RS)	86° / N 17.25m to P26	1/4"																
Cable: Cable: (1x) Fibre 0.8",(1x) Fibre 0.6",(1x) Coax 750																								

DIPS

TOP VIEW





44.34498694021536,-79.66991166239714

Front-500 Welham Rd

Surveyor..... Undisclosed

Date Surveyed.. 2020-06-05

Pole ID 1..... P6158

Pole ID 2..... NA

TX Tag(s).....

SW Tag(s).....

Owner..... Alectra

Usage..... Joint

Class..... 1

Circumference...-

Height..... 65

Composition..... Wood

Manufacturer.....

Year Mfg.....2011

Year Install.....

Year Inspect.....

Species..... WRC

Preserve..... CCA

Pole Tilt.....

Top of Pole..... 17.25m

Lowest Primary..12.25m

Lowest Sec.....8.33m

Lowest SL.....8.33m

Lowest TL.....-

- PT  Has TX
- Has Primary Dip  Has Sec Dip
- Has Primary SW  Has Power VG
- Has In-Line SW(s)  Has Comm VG
- Has Ambiguous Grade

O/S to BOC/EOP 1..

O/S to BOC/EOP 2..

O/S to SW 1.....

O/S to SW 2.....

O/S to Fence.....

O/S to BOC Tang...

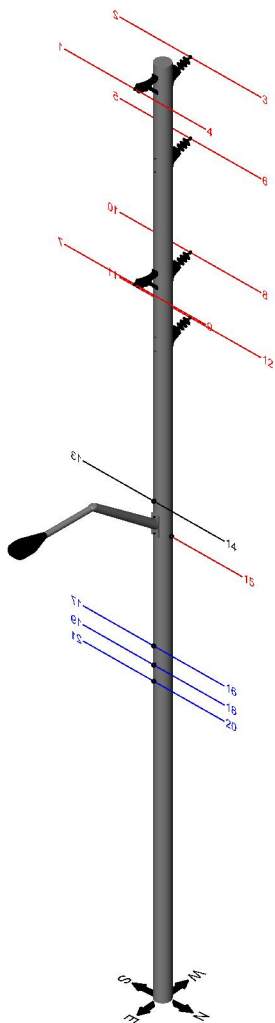
Vert O/S to Grade... -

Common Grade.....

Altitude.....

PDOP:

Condition: Visually OK

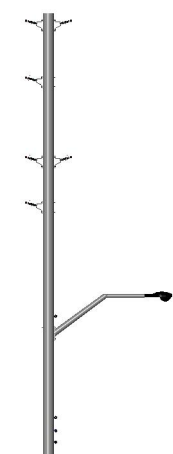
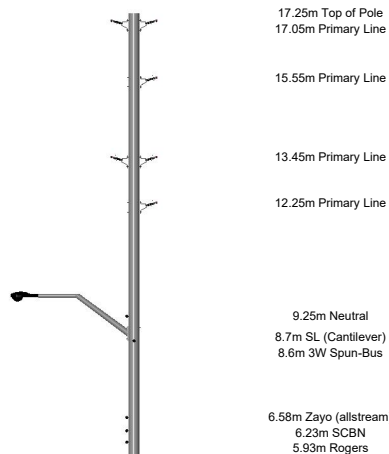
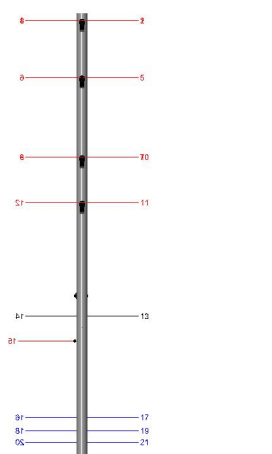
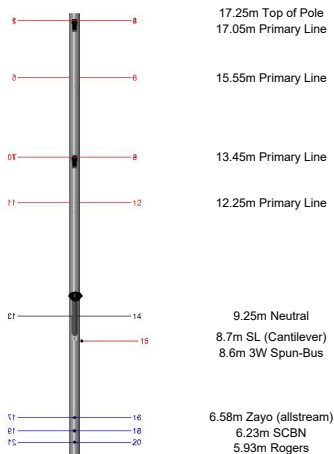


Looking W (RS View)

Looking E (FS View)

Looking S

Looking N



LINE ATTACHMENTS

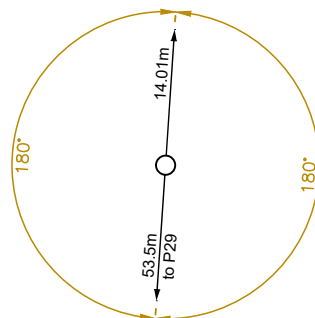
REL	ITEM / CLIENT	LINE 1	LINE 2	T.BOLT	B.BOLT	POSITION	DIRECTION	STRAND GAUGE	CONDUCT AWG	ATTACH TYPE	ANC	DIPS	BND	SLACK	BROK LASH	FL90	Ex Arm	O/S	KV	SW-P	SW-L	SUB			
1	Primary (Tier 1)	17.05m		17.05m	16.8m	355° / E (RS)	265° / S 53.5m to P29		556 / 0.9"	Stand Off 2x Bolt															
2		17.05m		17.05m	16.8m	175° / W (FS)	265° / S 53.5m to P29		556 / 0.9"	Stand Off 2x Bolt															
3		17.05m		17.05m	16.8m	175° / W (FS)	85° / N 14.01m to P28c		556 / 0.9"	Stand Off 2x Bolt															
4		17.05m		17.05m	16.8m	355° / E (RS)	85° / N 14.01m to P28c		556 / 0.9"	Stand Off 2x Bolt															
5	Primary (Tier 2)	15.55m		15.55m	15.3m	175° / W (FS)	265° / S 53.5m to P29		556 / 0.9"	Stand Off 2x Bolt															
6		15.55m		15.55m	15.3m	175° / W (FS)	85° / N 14.01m to P28c		556 / 0.9"	Stand Off 2x Bolt															
7	Primary (Tier 3)	13.45m		13.45m	13.2m	355° / E (RS)	265° / S 53.5m to P29		556 / 0.9"	Stand Off 2x Bolt															
8		13.45m		13.45m	13.2m	175° / W (FS)	85° / N 14.01m to P28c		556 / 0.9"	Stand Off 2x Bolt															
9		13.45m		13.45m	13.2m	355° / E (RS)	85° / N 14.01m to P28c		556 / 0.9"	Stand Off 2x Bolt															
10		13.45m		13.45m	13.2m	175° / W (FS)	265° / S 53.5m to P29		556 / 0.9"	Stand Off 2x Bolt															
11	Primary (Tier 4)	12.25m		12.25m	12.0m	175° / W (FS)	265° / S 53.5m to P29		556 / 0.9"	Stand Off 2x Bolt															
12		12.25m		12.25m	12.0m	175° / W (FS)	85° / N 14.01m to P28c		556 / 0.9"	Stand Off 2x Bolt															
13	Neutral	9.25m				355° / E (RS)	265° / S 53.5m to P29		336 / 0.7"																
14	Neutral	9.25m				355° / E (RS)	85° / N 14.01m to P28c		336 / 0.7"																
15	3W Spun-Bus	8.6m				85° / N	85° / N 14.01m to P28c	unlashed	#4 / 0.25"																
16	Zayo (allstream)	6.58m				355° / E (RS)	85° / N 14.01m to P28c	5/16"																	
Cable: Cable: (1x) Fibre 0.8"																									
17	Zayo (allstream)	6.58m				355° / E (RS)	265° / S 53.5m to P29	5/16"																	
Cable: Cable: (1x) Fibre 0.8"																									
18	SCBN	6.23m				355° / E (RS)	85° / N 14.01m to P28c	1/4"																	
Cable: Cable: (2x) Fibre 0.6", (1x) Fibre 0.4"																									
19	SCBN	6.23m				355° / E (RS)	265° / S 53.5m to P29	1/4"																	
Cable: Cable: (1x) Fibre 0.6", (1x) Fibre 0.4"; Equip: FOSC																									
20	Rogers	5.93m				355° / E (RS)	85° / N 14.01m to P28c	1/4"																	
Cable: Cable: (1x) Fibre 0.8", (1x) Fibre 0.6", (1x) Coax 625																									
21	Rogers	5.93m				355° / E (RS)	265° / S 53.5m to P29	1/4"																	
Cable: Cable: (1x) Fibre 0.8", (1x) Fibre 0.6", (1x) Coax 625; Equip: 3x LB: 1/2 Span																									

STRUCTURES

REF	ITEM	TOP	BOTTOM	T.BOLT	B.BOLT	MID HT	PRI DL BUSH HT	SEC DL	WIDTH	DEPTH	DIAM	POSITION	COMPOSITE	DESCRIPTION	QTY	DIPS	BND
22	SL (Cantilever)			8.95m	8.7m			8.33m				355° / E (RS)			1		

DIPS

TOP VIEW



44.34450731421435,-79.6699677737009

Front-500 Welham Rd

Surveyor..... Undisclosed

Date Surveyed.. 2020-06-05

Pole ID 1..... P6159

Pole ID 2..... NA

TX Tag(s).....

SW Tag(s)..... SUT 2607 / 511

Owner..... Alectra

Usage..... Joint

Class..... G

Circumference...-

Height..... 55

Composition..... Concrete

Manufacturer.....

Year Mfg..... 1985

Year Install.....

Year Inspect.....

Species.....

Preserve.....

Pole Tilt.....

Top of Pole..... 13.85m

Lowest Primary..9.95m

Lowest Sec.....9.23m

Lowest SL.....8.0m

Lowest TL.....-

- PT  Has TX
- Has Primary Dip  Has Sec Dip
- Has Primary SW  Has Power VG
- Has In-Line SW(s)  Has Comm VG
- Has Ambiguous Grade

O/S to BOC/EOP 1..

O/S to BOC/EOP 2..

O/S to SW 1.....

O/S to SW 2.....

O/S to Fence.....

O/S to BOC Tang...

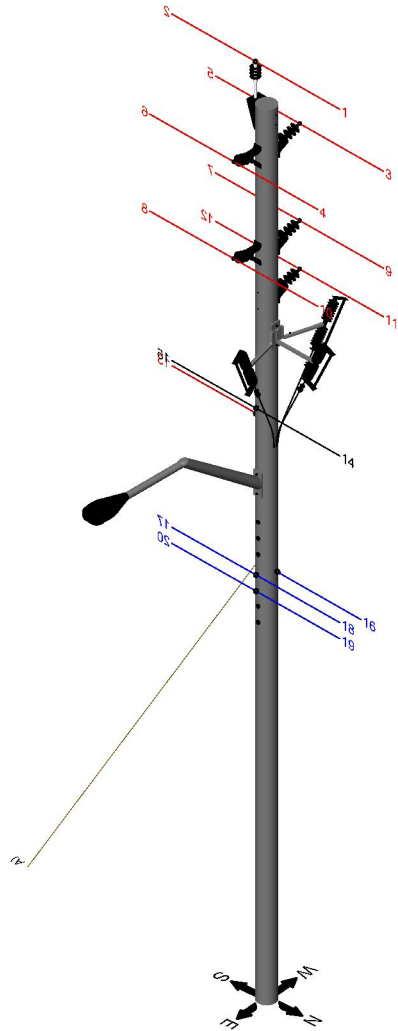
Vert O/S to Grade... -

Common Grade.....

Altitude.....

PDOP:

Condition: Visually OK

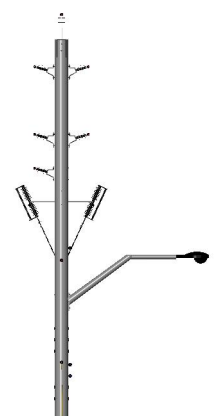
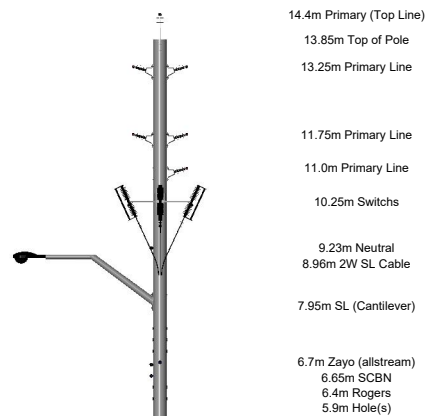
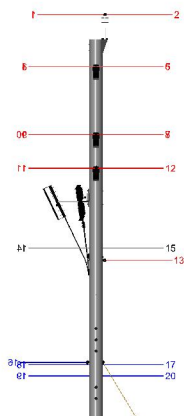
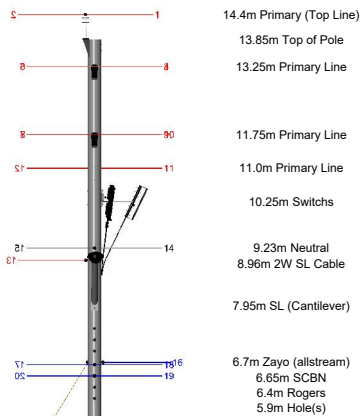


Looking W (RS View)

Looking E (FS View)

Looking S

Looking N



LINE ATTACHMENTS

REF	ITEM / CLIENT	LINE 1	LINE 2	T.BOLT	B.BOLT	POSITION	DIRECTION	STRAND GAUGE	CONDUCT AWG	ATTACH TYPE	ANC	DIPS	BND	SLACK	BROK LASH	FL90	Ex Arm	O/S	KV	SW-P	SW-L	SUB		
1	Primary (Top Line)	14.4m				265° / S	85° / N 53.5m to P28		556 / 0.9"	Stand Off 2x Bolt														
2	Primary (Top Line)	14.4m				265° / S	265° / S 56.3m to P30		556 / 0.9"	Stand Off 2x Bolt														
3	Primary (Tier 1)	13.25m		13.25m	13.0m	175° / W (FS)	85° / N 53.5m to P28		556 / 0.9"	Stand Off 2x Bolt														
4		13.25m		13.25m	13.0m	355° / E (RS)	85° / N 53.5m to P28		556 / 0.9"	Stand Off 2x Bolt														
5		13.25m		13.25m	13.0m	175° / W (FS)	265° / S 56.3m to P30		556 / 0.9"	Stand Off 2x Bolt														
6		13.25m		13.25m	13.0m	355° / E (RS)	265° / S 56.3m to P30		556 / 0.9"	Stand Off 2x Bolt														
7	Primary (Tier 2)	11.75m		11.75m	11.5m	175° / W (FS)	265° / S 56.3m to P30		556 / 0.9"	Stand Off 2x Bolt														
8		11.75m		11.75m	11.5m	355° / E (RS)	265° / S 56.3m to P30		556 / 0.9"	Stand Off 2x Bolt														
9		11.75m		11.75m	11.5m	175° / W (FS)	85° / N 53.5m to P28		556 / 0.9"	Stand Off 2x Bolt														
10		11.75m		11.75m	11.5m	355° / E (RS)	85° / N 53.5m to P28		556 / 0.9"	Stand Off 2x Bolt														
11	Primary (Tier 3)	11.0m		11.0m	10.75m	175° / W (FS)	85° / N 53.5m to P28		556 / 0.9"	Stand Off 2x Bolt														
12		11.0m		11.0m	10.75m	175° / W (FS)	265° / S 56.3m to P30		556 / 0.9"	Stand Off 2x Bolt														
13	2W SL Cable	8.96m				265° / S	265° / S 56.3m to P30	unlashed	#6 / 0.2"															
14	Neutral	9.23m				355° / E (RS)	85° / N 53.5m to P28		336 / 0.7"															
15	Neutral	9.23m				355° / E (RS)	265° / S 56.3m to P30		336 / 0.7"															
16	Zayo (allstream)	6.7m				85° / N	85° / N 53.5m to P28	5/16"				✓	✓	C										
Cable: Cable: (1x) Fibre 0.8"																								
17	SCBN	6.65m				355° / E (RS)	265° / S 56.3m to P30	1/4"																
Cable: Cable: (1x) Fibre 0.6",(1x) Fibre 0.4"																								
18	SCBN	6.65m				355° / E (RS)	85° / N 53.5m to P28	1/4"																
Cable: Cable: (1x) Fibre 0.6",(1x) Fibre 0.4"																								
19	Rogers	6.4m				355° / E (RS)	85° / N 53.5m to P28	1/4"																
Cable: Cable: (1x) Fibre 0.8",(1x) Fibre 0.6",(1x) Coax 625																								
20	Rogers	6.4m				355° / E (RS)	265° / S 56.3m to P30	1/4"																
Cable: Cable: (1x) Fibre 0.8",(1x) Fibre 0.6",(1x) Coax 625																								

STRUCTURES

REF	ITEM	TOP	BOTTOM	T.BOLT	B.BOLT	MID HT	PRI DL BUSH HT	SEC DL	WIDTH	DEPTH	DIAM	POSITION	COMPOSITE	DESCRIPTION	QTY	DIPS	BND
21	Hole(s)											355° / E (RS)			1		
Heights: 5.9m, 6.15m, 6.95m, 7.2m, 7.45m																	
22	Switches			10.5m	10.25m							85° / N		Pole Pos: 99° / N	3	✓	✓
23	SL (Cantilever)			8.2m	7.95m			8.0m				355° / E (RS)			1		

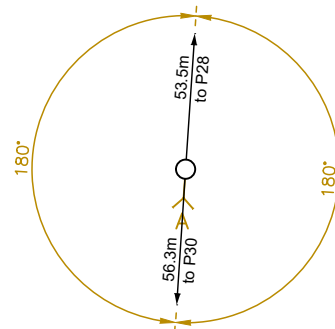
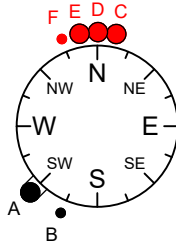
ANCHORS

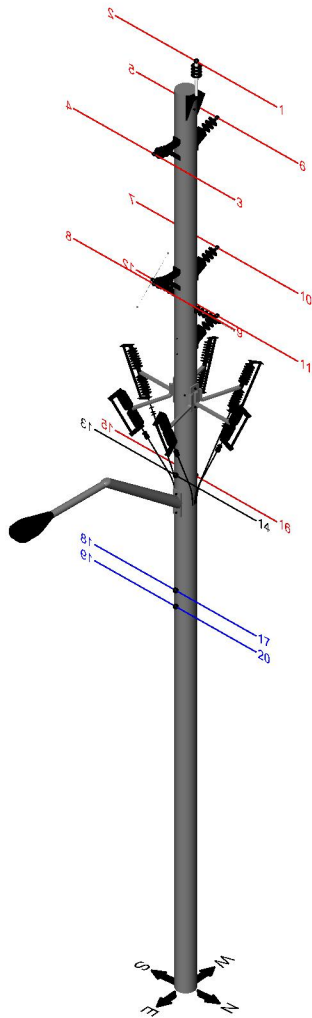
REF	CLIENT	DOWN GUY			SLOPE HEIGHT	DIRECTION	ROD				SW STRUT		MARKER		WISH BONE	AUX EYE	
		HEIGHT	GAUGE	LEAD			DIAM	EYE	CONSTR	DEV ANG	CONCEALED	HEIGHT	LENGTH	CONSTR			CONDITION
A	Zayo (allstream)	6.7m	7/16"	4.05m	-	266° / S	1"	Triple	1x Piece								

DIPS

TOP VIEW

- A) allstream FOC, Mast: 5.0" U-Guard, Cov: 2.2m
- B) Comm VG
- C) 1Ph Pri Dip, Mast: 2.0" Conduit, Cov: 7.72m
- D) 1Ph Pri Dip, Mast: 2.0" Conduit, Cov: 7.5m
- E) 1Ph Pri Dip, Mast: 2.0" Conduit, Cov: 7.6m
- F) Primary VG





44.344000725808534,-79.67002523728287  
 Front-514 Welham Rd  
 Surveyor..... Undisclosed  
 Date Surveyed.. 2020-06-05  
 Pole ID 1..... P6160  
 Pole ID 2..... NA  
 TX Tag(s).....  
 SW Tag(s)..... SUT 2608/9 / 514/5/5  
 Owner..... Alectra  
 Usage..... Joint  
 Class.....  
 Circumference... 1.06m  
 Height.....  
 Composition..... Wood  
 Manufacturer.....  
 Year Mfg.....  
 Year Install.....  
 Year Inspect.....  
 Species.....  
 Preserve.....  
 Pole Tilt.....  
**Top of Pole..... 14.5m**  
**Lowest Primary..9.2m**  
**Lowest Sec.....8.36m**  
**Lowest SL.....7.56m**  
**Lowest TL.....-**

PT  Has TX  
 Has Primary Dip  Has Sec Dip  
 Has Primary SW  Has Power VG  
 Has In-Line SW(s)  Has Comm VG  
 Has Ambiguous Grade

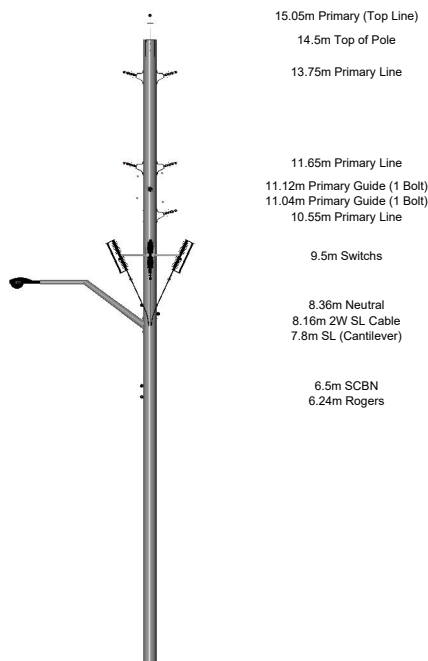
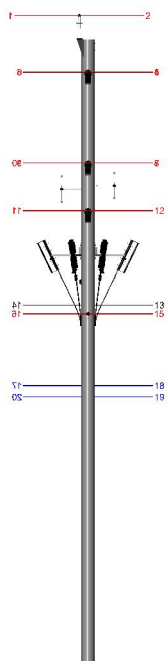
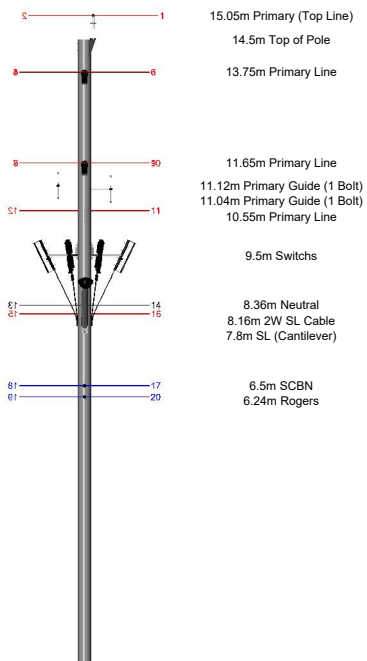
O/S to BOC/EOP 1..  
 O/S to BOC/EOP 2..  
 O/S to SW 1.....  
 O/S to SW 2.....  
 O/S to Fence.....  
 O/S to BOC Tang...  
 Vert O/S to Grade... -  
 Common Grade.....  
 Altitude..... PDOP:  
 Condition: Visually OK

Looking W (RS View)

Looking E (FS View)

Looking S

Looking N



LINE ATTACHMENTS

REL	ITEM / CLIENT	LINE 1	LINE 2	T.BOLT	B.BOLT	POSITION	DIRECTION	STRAND GAUGE	CONDUCT AWG	ATTACH TYPE	ANC	DIPS	BND	SLACK	BROK LASH	FL90	Ex Arm	O/S	KV	SW-P	SW-L	SUB		
1	Primary (Top Line)	15.05m				85° / N	85° / N 56.3m to P29		556 / 0.9"															
2	Primary (Top Line)	15.05m				85° / N	265° / S 53.5m to P31		556 / 0.9"	Stand Off 2x Bolt														
3	Primary (Tier 1)	13.75m		13.75m	13.5m	355° / E (RS)	85° / N 56.3m to P29		556 / 0.9"	Stand Off 2x Bolt														
4		13.75m		13.75m	13.5m	355° / E (RS)	265° / S 53.5m to P31		556 / 0.9"	Stand Off 2x Bolt														
5		13.75m		13.75m	13.5m	175° / W (FS)	265° / S 53.5m to P31		556 / 0.9"	Stand Off 2x Bolt														
6		13.75m		13.75m	13.5m	175° / W (FS)	85° / N 56.3m to P29		556 / 0.9"	Stand Off 2x Bolt														
7	Primary (Tier 2)	11.65m		11.65m	11.4m	175° / W (FS)	265° / S 53.5m to P31		556 / 0.9"	Stand Off 2x Bolt														
8		11.65m		11.65m	11.4m	355° / E (RS)	265° / S 53.5m to P31		556 / 0.9"	Stand Off 2x Bolt														
9		11.65m		11.65m	11.4m	355° / E (RS)	85° / N 56.3m to P29		556 / 0.9"	Stand Off 2x Bolt														
10		11.65m		11.65m	11.4m	175° / W (FS)	85° / N 56.3m to P29		556 / 0.9"	Stand Off 2x Bolt														
11	Primary (Tier 3)	10.55m		10.55m	10.3m	175° / W (FS)	85° / N 56.3m to P29		556 / 0.9"	Stand Off 2x Bolt														
12		10.55m		10.55m	10.3m	175° / W (FS)	265° / S 53.5m to P31		556 / 0.9"	Stand Off 2x Bolt														
13	Neutral	8.36m				355° / E (RS)	265° / S 53.5m to P31		336 / 0.7"															
14	Neutral	8.36m				355° / E (RS)	85° / N 56.3m to P29		336 / 0.7"															
15	2W SL Cable	8.16m				175° / W (FS)	265° / S 53.5m to P31	unlashed	#6 / 0.2"															
16	2W SL Cable	8.16m				175° / W (FS)	85° / N 56.3m to P29	unlashed	#6 / 0.2"															
17	SCBN	6.5m				355° / E (RS)	85° / N 56.3m to P29	1/4"																
Cable: Cable: (1x) Fibre 0.6",(1x) Fibre 0.4"; Equip: LB: 1/2 Span																								
18	SCBN	6.5m				355° / E (RS)	265° / S 53.5m to P31	1/4"																
Cable: Cable: (1x) Fibre 0.6",(1x) Fibre 0.4"																								
19	Rogers	6.24m				355° / E (RS)	265° / S 53.5m to P31	1/4"																
Cable: Cable: (1x) Fibre 0.8",(1x) Fibre 0.6",(1x) Coax 625																								
20	Rogers	6.24m				355° / E (RS)	85° / N 56.3m to P29	1/4"																
Cable: Cable: (1x) Fibre 0.8",(1x) Fibre 0.6",(1x) Coax 625																								

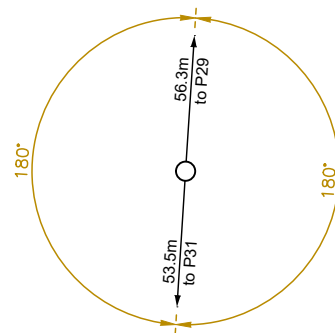
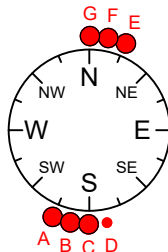
STRUCTURES

REL	ITEM	TOP	BOTTOM	T.BOLT	B.BOLT	MID HT	PRI DL BUSH HT	SEC DL	WIDTH	DEPTH	DIAM	POSITION	COMPOSITE	DESCRIPTION	QTY	DIPS	BND
21	Primary Guide (1 Bolt)			11.12m								265° / S			1		
22	SL (Cantilever)			8.05m	7.8m			7.56m				355° / E (RS)			1		
23	Primary Guide (1 Bolt)			11.04m								85° / N			1		
24	Switchs			9.75m	9.5m							85° / N		Pole Pos: 99° / N	3	✓	✓
25	Switchs			9.75m	9.5m							265° / S		Pole Pos: 99° / N	3	✓	✓

DIPS

TOP VIEW

- A) 1Ph Pri Dip, Mast: 2.0" Conduit, Cov: 7.1m
- B) 1Ph Pri Dip, Mast: 2.0" Conduit, Cov: 7.2m
- C) 1Ph Pri Dip, Mast: 2.0" Conduit, Cov: 7.0m
- D) Primary VG
- E) 1Ph Pri Dip, Mast: 2.0" Conduit, Cov: 6.86m
- F) 1Ph Pri Dip, Mast: 2.0" Conduit, Cov: 7.16m
- G) 1Ph Pri Dip, Mast: 2.0" Conduit, Cov: 6.5m



44.34351683350402,-79.67007910783985

Front-514 Welham Rd

Surveyor..... Undisclosed

Date Surveyed.. 2020-06-05

Pole ID 1..... P6161

Pole ID 2..... NA

TX Tag(s).....

SW Tag(s).....

Owner..... Alectra

Usage..... Joint

Class..... G

Circumference...-

Height..... 55

Composition..... Concrete

Manufacturer.....

Year Mfg..... 1984

Year Install.....

Year Inspect.....

Species.....

Preserve.....

Pole Tilt.....

Top of Pole..... 13.8m

Lowest Primary..10.95m

Lowest Sec.....9.15m

Lowest SL.....8.0m

Lowest TL.....-

- PT  Has TX
- Has Primary Dip  Has Sec Dip
- Has Primary SW  Has Power VG
- Has In-Line SW(s)  Has Comm VG
- Has Ambiguous Grade

O/S to BOC/EOP 1..

O/S to BOC/EOP 2..

O/S to SW 1.....

O/S to SW 2.....

O/S to Fence.....

O/S to BOC Tang...

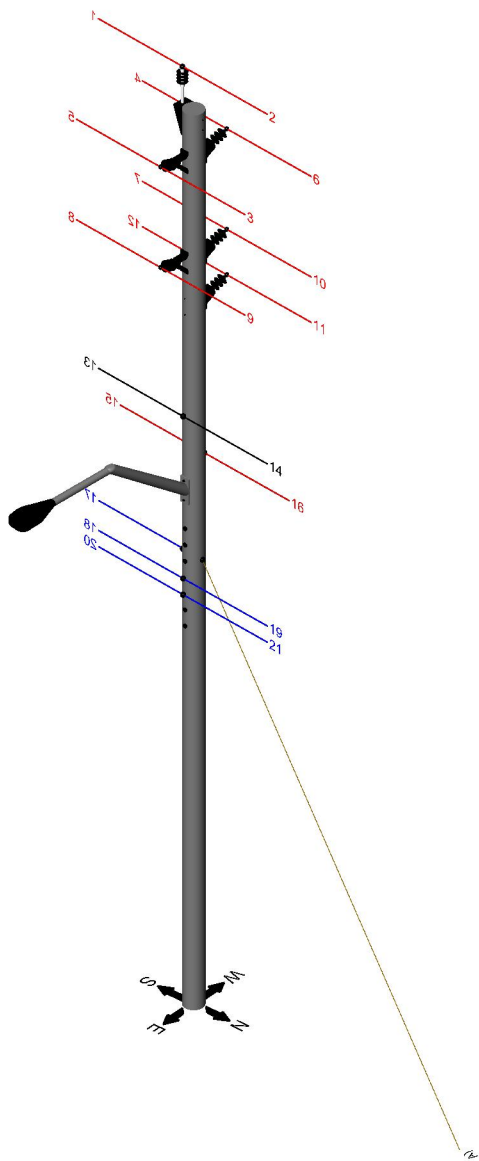
Vert O/S to Grade...-

Common Grade.....

Altitude.....

PDOP:

Condition: Visually OK

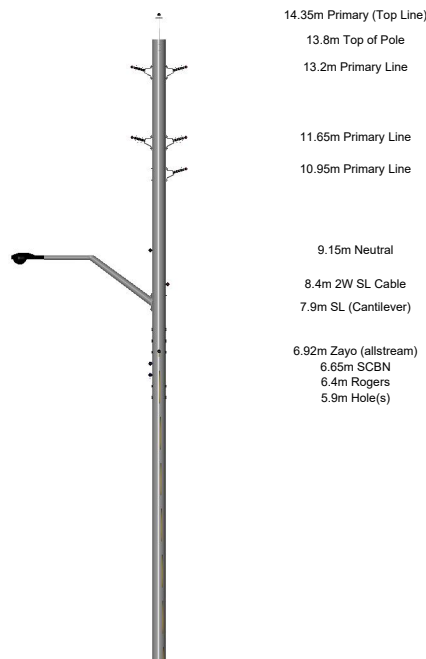
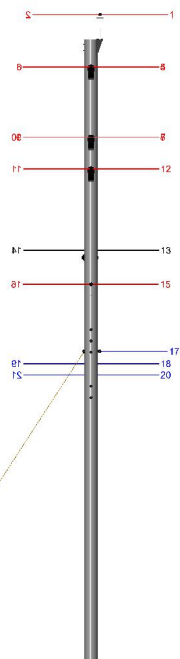
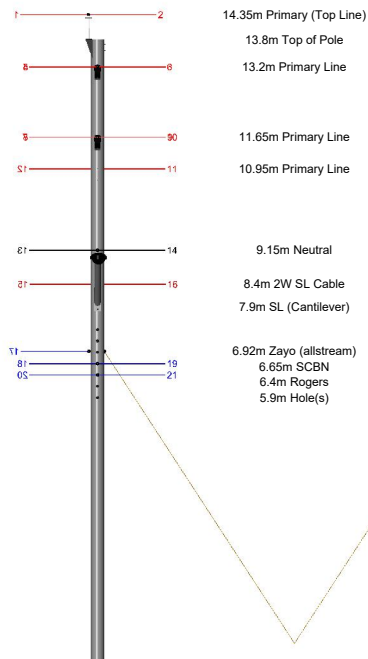


Looking W (RS View)

Looking E (FS View)

Looking S

Looking N



LINE ATTACHMENTS

REL	ITEM / CLIENT	LINE 1	LINE 2	T.BOLT	B.BOLT	POSITION	DIRECTION	STRAND GAUGE	CONDUCT AWG	ATTACH TYPE	ANC	DIPS	BND	SLACK	BROK LASH	FL90	Ex Arm	O/S	KV	SW-P	SW-L	SUB			
1	Primary (Top Line)	14.35m				265° / S	265° / S 54.9m to P32		556 / 0.9"	Stand Off 2x Bolt															
2	Primary (Top Line)	14.35m				265° / S	85° / N 53.5m to P30		556 / 0.9"																
3	Primary (Tier 1)	13.2m		13.2m	12.95m	355° / E (RS)	85° / N 53.5m to P30		556 / 0.9"	Stand Off 2x Bolt															
4		13.2m		13.2m	12.95m	175° / W (FS)	265° / S 54.9m to P32		556 / 0.9"	Stand Off 2x Bolt															
5		13.2m		13.2m	12.95m	355° / E (RS)	265° / S 54.9m to P32		556 / 0.9"	Stand Off 2x Bolt															
6		13.2m		13.2m	12.95m	175° / W (FS)	85° / N 53.5m to P30		556 / 0.9"	Stand Off 2x Bolt															
7	Primary (Tier 2)	11.65m		11.65m	11.4m	175° / W (FS)	265° / S 54.9m to P32		556 / 0.9"	Stand Off 2x Bolt															
8		11.65m		11.65m	11.4m	355° / E (RS)	265° / S 54.9m to P32		556 / 0.9"	Stand Off 2x Bolt															
9		11.65m		11.65m	11.4m	355° / E (RS)	85° / N 53.5m to P30		556 / 0.9"	Stand Off 2x Bolt															
10		11.65m		11.65m	11.4m	175° / W (FS)	85° / N 53.5m to P30		556 / 0.9"	Stand Off 2x Bolt															
11	Primary (Tier 3)	10.95m		10.95m	10.7m	175° / W (FS)	85° / N 53.5m to P30		556 / 0.9"	Stand Off 2x Bolt															
12		10.95m		10.95m	10.7m	175° / W (FS)	265° / S 54.9m to P32		556 / 0.9"	Stand Off 2x Bolt															
13	Neutral	9.15m				355° / E (RS)	265° / S 54.9m to P32		336 / 0.7"																
14	Neutral	9.15m				355° / E (RS)	85° / N 53.5m to P30		336 / 0.7"																
15	2W SL Cable	8.4m				175° / W (FS)	265° / S 54.9m to P32	unlashed	#6 / 0.2"																
16	2W SL Cable	8.4m				175° / W (FS)	85° / N 53.5m to P30	unlashed	#6 / 0.2"																
17	Zayo (allstream)	6.92m				265° / S	265° / S 54.9m to P32	5/16"				✓	✓	C											
Cable: Cable: (1x) Fibre 0.8", (1x) Fibre 0.7"; Equip: LB: 1/3 Span																									
18	SCBN	6.65m				355° / E (RS)	265° / S 54.9m to P32	1/4"																	
Cable: Cable: (1x) Fibre 0.6", (1x) Fibre 0.4"																									
19	SCBN	6.65m				355° / E (RS)	85° / N 53.5m to P30	1/4"																	
Cable: Cable: (1x) Fibre 0.6", (1x) Fibre 0.4"																									
20	Rogers	6.4m				355° / E (RS)	265° / S 54.9m to P32	1/4"																	
Cable: Cable: (1x) Fibre 0.8", (1x) Fibre 0.6", (1x) Coax 625																									
21	Rogers	6.4m				355° / E (RS)	85° / N 53.5m to P30	1/4"																	
Cable: Cable: (1x) Fibre 0.8", (1x) Fibre 0.6", (1x) Coax 625																									

STRUCTURES

REL	ITEM	TOP	BOTTOM	T.BOLT	B.BOLT	MID HT	PRI DL BUSH HT	SEC DL	WIDTH	DEPTH	DIAM	POSITION	COMPOSITE	DESCRIPTION	QTY	DIPS	BND
22	SL (Cantilever)			8.15m	7.9m			8.0m				355° / E (RS)			1		
23	Hole(s)											355° / E (RS)			1		

Heights: 5.9m, 6.15m, 6.9m, 7.15m, 7.4m

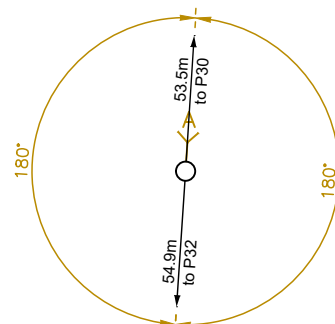
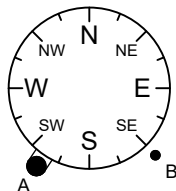
ANCHORS

REL	CLIENT	DOWN GUY			SLOPE HEIGHT	DIRECTION	ROD				SW STRUT		MARKER		WISH BONE	AUX EYE	
		HEIGHT	GAUGE	LEAD			DIAM	EYE	CONSTR	DEV ANG	CONCEALED	HEIGHT	LENGTH	CONSTR			CONDITION
A	Zayo (allstream)	6.92m	7/16"	4.5m	-	86° / N	1"	Triple	1x Piece								

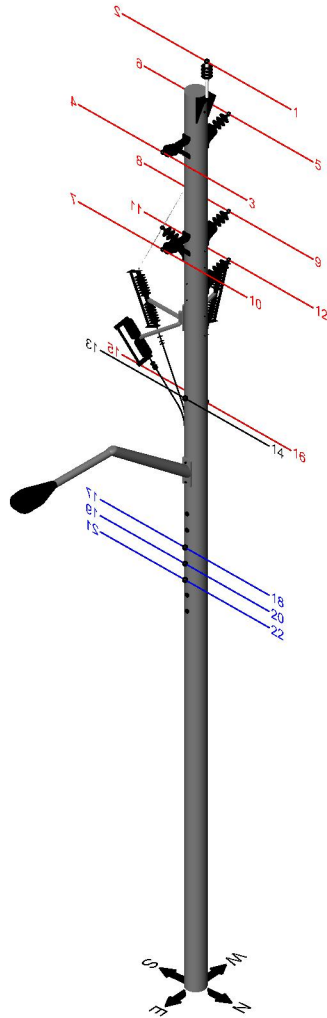
DIPS

TOP VIEW

A) allstream FOC, Mast: 3.0" U-Guard, Cov: 4.55m  
 B) Comm VG







44.34302252330549,-79.67013618064146  
Front-526 Welham Rd

Surveyor..... Undisclosed  
Date Surveyed.. 2020-06-05  
Pole ID 1..... P6162  
Pole ID 2..... NA  
TX Tag(s).....  
SW Tag(s)..... SUT 3841 / 530  
Owner..... Alectra  
Usage..... Joint  
Class..... G  
Circumference...-  
Height..... 55  
Composition..... Concrete  
Manufacturer.....  
Year Mfg..... 1985  
Year Install.....  
Year Inspect.....  
Species.....  
Preserve.....  
Pole Tilt.....

Top of Pole..... 13.8m  
Lowest Primary..9.85m  
Lowest Sec.....9.15m  
Lowest SL.....7.85m  
Lowest TL.....-

- PT  Has TX
- Has Primary Dip  Has Sec Dip
- Has Primary SW  Has Power VG
- Has In-Line SW(s)  Has Comm VG
- Has Ambiguous Grade

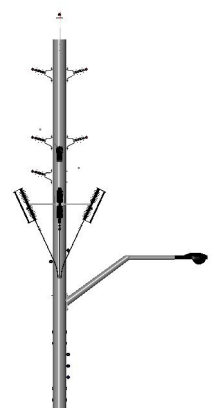
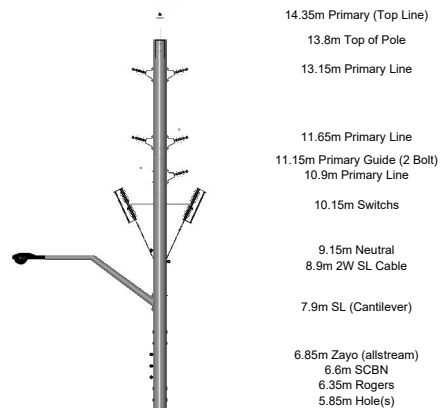
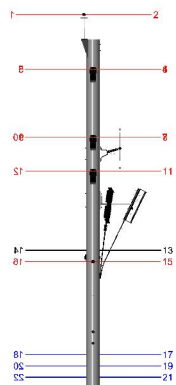
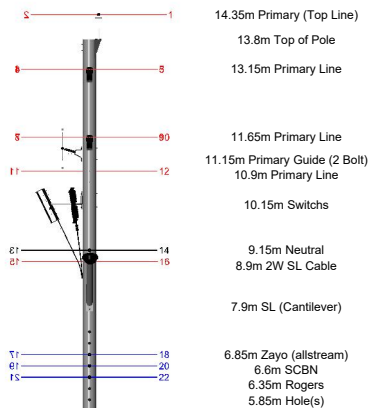
O/S to BOC/EOP 1..  
O/S to BOC/EOP 2..  
O/S to SW 1.....  
O/S to SW 2.....  
O/S to Fence.....  
O/S to BOC Tang...  
Vert O/S to Grade... -  
Common Grade.....  
Altitude..... PDOP:  
Condition: Visually OK

Looking W (RS View)

Looking E (FS View)

Looking S

Looking N



LINE ATTACHMENTS

REL	ITEM / CLIENT	LINE 1	LINE 2	T.BOLT	B.BOLT	POSITION	DIRECTION	STRAND GAUGE	CONDUCT AWG	ATTACH TYPE	ANC	DIPS	BND	SLACK	BROK LASH	FL90	Ex Arm	O/S	kV	SW-P	SW-L	SUB		
1	Primary (Top Line)	14.35m				85° / N	85° / N 54.9m to P31		556 / 0.9"															
2	Primary (Top Line)	14.35m				85° / N	265° / S 55.2m to P33		556 / 0.9"	Stand Off 2x Bolt														
3	Primary (Tier 1)	13.15m		13.15m	12.9m	355° / E (RS)	85° / N 54.9m to P31		556 / 0.9"	Stand Off 2x Bolt														
4		13.15m		13.15m	12.9m	355° / E (RS)	265° / S 55.2m to P33		556 / 0.9"	Stand Off 2x Bolt														
5		13.15m		13.15m	12.9m	175° / W (FS)	85° / N 54.9m to P31		556 / 0.9"	Stand Off 2x Bolt														
6		13.15m		13.15m	12.9m	175° / W (FS)	265° / S 55.2m to P33		556 / 0.9"	Stand Off 2x Bolt														
7	Primary (Tier 2)	11.65m		11.65m	11.4m	355° / E (RS)	265° / S 55.2m to P33		556 / 0.9"	Stand Off 2x Bolt														
8		11.65m		11.65m	11.4m	175° / W (FS)	265° / S 55.2m to P33		556 / 0.9"	Stand Off 2x Bolt														
9		11.65m		11.65m	11.4m	175° / W (FS)	85° / N 54.9m to P31		556 / 0.9"	Stand Off 2x Bolt														
10		11.65m		11.65m	11.4m	355° / E (RS)	85° / N 54.9m to P31		556 / 0.9"	Stand Off 2x Bolt														
11	Primary (Tier 3)	10.9m		10.9m	10.65m	175° / W (FS)	265° / S 55.2m to P33		556 / 0.9"	Stand Off 2x Bolt														
12		10.9m		10.9m	10.65m	175° / W (FS)	85° / N 54.9m to P31		556 / 0.9"	Stand Off 2x Bolt														
13	Neutral	9.15m				355° / E (RS)	265° / S 55.2m to P33		336 / 0.7"															
14	Neutral	9.15m				355° / E (RS)	85° / N 54.9m to P31		336 / 0.7"															
15	2W SL Cable	8.9m				175° / W (FS)	265° / S 55.2m to P33	unlashed	#6 / 0.2"															
16	2W SL Cable	8.9m				175° / W (FS)	85° / N 54.9m to P31	unlashed	#6 / 0.2"															
17	Zayo (allstream)	6.85m				355° / E (RS)	265° / S 55.2m to P33	5/16"																
Cable: Cable: (1x) Fibre 0.8", (1x) Fibre 0.7"								Twist tied up; not yet lashed																
18	Zayo (allstream)	6.85m				355° / E (RS)	85° / N 54.9m to P31	5/16"																
Cable: Cable: (1x) Fibre 0.8", (1x) Fibre 0.7"								Twist tied up; not yet lashed																
19	SCBN	6.6m				355° / E (RS)	265° / S 55.2m to P33	1/4"																
Cable: Cable: (1x) Fibre 0.6", (1x) Fibre 0.4"																								
20	SCBN	6.6m				355° / E (RS)	85° / N 54.9m to P31	1/4"																
Cable: Cable: (1x) Fibre 0.6", (1x) Fibre 0.4"																								
21	Rogers	6.35m				355° / E (RS)	265° / S 55.2m to P33	1/4"																
Cable: Cable: (1x) Fibre 0.8", (1x) Fibre 0.6", (1x) Coax 625																								
22	Rogers	6.35m				355° / E (RS)	85° / N 54.9m to P31	1/4"																
Cable: Cable: (1x) Fibre 0.8", (1x) Fibre 0.6", (1x) Coax 625																								

STRUCTURES

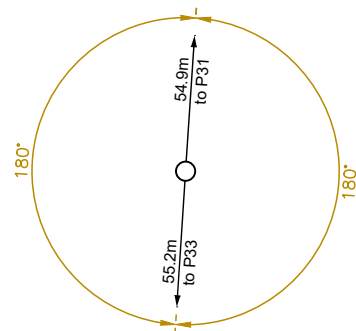
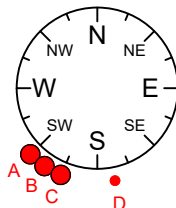
REL	ITEM	TOP	BOTTOM	T.BOLT	B.BOLT	MID HT	PRI DL BUSH HT	SEC DL	WIDTH	DEPTH	DIAM	POSITION	COMPOSITE	DESCRIPTION	QTY	DIPS	BND
23	Primary Guide (2 Bolt)			11.4m	11.15m							265° / S			1		
24	Switches			10.4m	10.15m							265° / S		Pole Pos: 99° / N	3	✓	✓
25	SL (Cantilever)			8.15m	7.9m			7.85m				355° / E (RS)			1		
26	Hole(s)											355° / E (RS)			1		

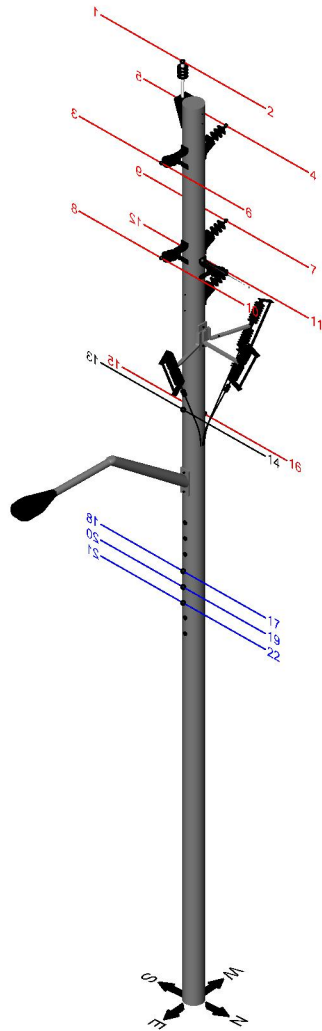
Heights: 5.85m, 6.1m, 7.1m, 7.35m

DIPS

TOP VIEW

- A) 1Ph Pri Dip, Mast: 2.0" Conduit, Cov: 9.15m
- B) 1Ph Pri Dip, Mast: 2.0" Conduit, Cov: 9.15m
- C) 1Ph Pri Dip, Mast: 2.0" Conduit, Cov: 9.15m
- D) Primary VG





44.34252709989261,-79.67019223198837  
Front-530 Welham Rd

Surveyor..... Undisclosed  
Date Surveyed.. 2020-06-05  
Pole ID 1..... P6163  
Pole ID 2..... NA  
TX Tag(s).....  
SW Tag(s)..... SUT 8375 / 535  
Owner..... Alectra  
Usage..... Joint  
Class..... G  
Circumference...-  
Height..... 55  
Composition..... Concrete  
Manufacturer.....  
Year Mfg..... 1986  
Year Install.....  
Year Inspect.....  
Species.....  
Preserve.....  
Pole Tilt.....

Top of Pole..... 14.15m  
Lowest Primary..10.15m  
Lowest Sec.....9.4m  
Lowest SL.....8.2m  
Lowest TL.....-

- PT  Has TX
- Has Primary Dip  Has Sec Dip
- Has Primary SW  Has Power VG
- Has In-Line SW(s)  Has Comm VG
- Has Ambiguous Grade

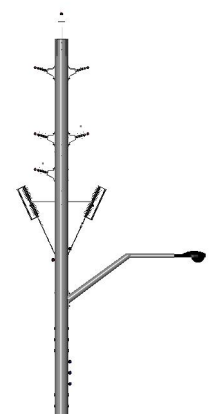
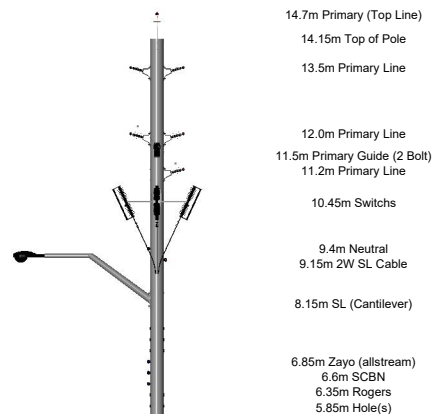
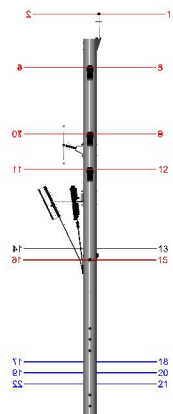
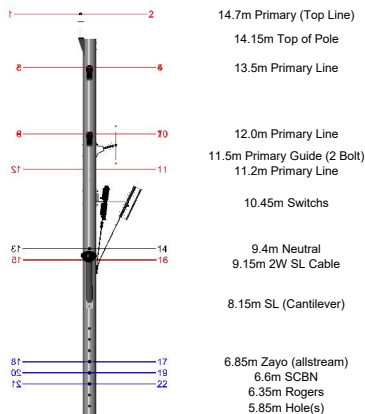
O/S to BOC/EOP 1..  
O/S to BOC/EOP 2..  
O/S to SW 1.....  
O/S to SW 2.....  
O/S to Fence.....  
O/S to BOC Tang...  
Vert O/S to Grade... -  
Common Grade.....  
Altitude..... PDOP:  
Condition: Visually OK

Looking W (RS View)

Looking E (FS View)

Looking S

Looking N



LINE ATTACHMENTS

REL	ITEM / CLIENT	LINE 1	LINE 2	T.BOLT	B.BOLT	POSITION	DIRECTION	STRAND GAUGE	CONDUCT AWG	ATTACH TYPE	ANC	DIPS	BND	SLACK	BROK LASH	FL90	Ex Arm	O/S	kV	SW-P	SW-L	SUB				
1	Primary (Top Line)	14.7m				265° / S	265° / S 55.1m to P34		556 / 0.9"	Stand Off 2x Bolt																
2	Primary (Top Line)	14.7m				265° / S	85° / N 55.2m to P32		556 / 0.9"																	
3	Primary (Tier 1)	13.5m		13.5m	13.25m	355° / E (RS)	265° / S 55.1m to P34		556 / 0.9"	Stand Off 2x Bolt																
4		13.5m		13.5m	13.25m	175° / W (FS)	85° / N 55.2m to P32		556 / 0.9"	Stand Off 2x Bolt																
5		13.5m		13.5m	13.25m	175° / W (FS)	265° / S 55.1m to P34		556 / 0.9"	Stand Off 2x Bolt																
6		13.5m		13.5m	13.25m	355° / E (RS)	85° / N 55.2m to P32		556 / 0.9"	Stand Off 2x Bolt																
7	Primary (Tier 2)	12.0m		12.0m	11.75m	175° / W (FS)	85° / N 55.2m to P32		556 / 0.9"	Stand Off 2x Bolt																
8		12.0m		12.0m	11.75m	355° / E (RS)	265° / S 55.1m to P34		556 / 0.9"	Stand Off 2x Bolt																
9		12.0m		12.0m	11.75m	175° / W (FS)	265° / S 55.1m to P34		556 / 0.9"	Stand Off 2x Bolt																
10		12.0m		12.0m	11.75m	355° / E (RS)	85° / N 55.2m to P32		556 / 0.9"	Stand Off 2x Bolt																
11	Primary (Tier 3)	11.2m		11.2m	10.95m	175° / W (FS)	85° / N 55.2m to P32		556 / 0.9"	Stand Off 2x Bolt																
12		11.2m		11.2m	10.95m	175° / W (FS)	265° / S 55.1m to P34		556 / 0.9"	Stand Off 2x Bolt																
13	Neutral	9.4m				355° / E (RS)	265° / S 55.1m to P34		336 / 0.7"																	
14	Neutral	9.4m				355° / E (RS)	85° / N 55.2m to P32		336 / 0.7"																	
15	2W SL Cable	9.15m				175° / W (FS)	265° / S 55.1m to P34	unlashed	#6 / 0.2"																	
16	2W SL Cable	9.15m				175° / W (FS)	85° / N 55.2m to P32	unlashed	#6 / 0.2"																	
17	Zayo (allstream)	6.85m				355° / E (RS)	85° / N 55.2m to P32	5/16"																		
Cable: Cable: (1x) Fibre 0.8", (1x) Fibre 0.7"																										
18	Zayo (allstream)	6.85m				355° / E (RS)	265° / S 55.1m to P34	5/16"																		
Cable: Cable: (1x) Fibre 0.8", (1x) Fibre 0.7"																										
19	SCBN	6.6m				355° / E (RS)	85° / N 55.2m to P32	1/4"																		
Cable: Cable: (1x) Fibre 0.6", (1x) Fibre 0.4"																										
20	SCBN	6.6m				355° / E (RS)	265° / S 55.1m to P34	1/4"																		
Cable: Cable: (1x) Fibre 0.6", (2x) Fibre 0.4"																										
21	Rogers	6.35m				355° / E (RS)	265° / S 55.1m to P34	1/4"																		
Cable: Cable: (1x) Fibre 0.8", (1x) Fibre 0.6", (1x) Coax 625																										
22	Rogers	6.35m				355° / E (RS)	85° / N 55.2m to P32	1/4"																		
Cable: Cable: (1x) Fibre 0.8", (1x) Fibre 0.6", (1x) Coax 625																										

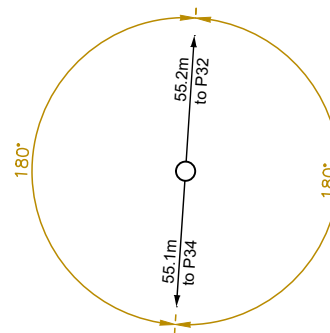
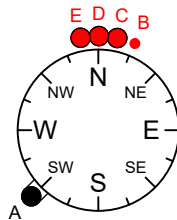
STRUCTURES

REL	ITEM	TOP	BOTTOM	T.BOLT	B.BOLT	MID HT	PRI DL BUSH HT	SEC DL	WIDTH	DEPTH	DIAM	POSITION	COMPOSITE	DESCRIPTION	QTY	DIPS	BND
23	Hole(s)											355° / E (RS)			1		
Heights: 5.85m, 6.1m, 7.1m, 7.35m, 7.6m																	
24	Primary Guide (2 Bolt)			11.75m	11.5m							85° / N			1		
25	Switchs			10.7m	10.45m							85° / N		Pole Pos: 99° / N	3	✓	✓
26	SL (Cantilever)			8.4m	8.15m			8.2m				355° / E (RS)			1		

DIPS

TOP VIEW

- A) SCBN FOC, Mast: 2.0" U-Guard, Cov: 4.6m
- B) Primary VG
- C) 1Ph Pri Dip, Mast: 2.0" Conduit, Cov: 9.25m
- D) 1Ph Pri Dip, Mast: 2.0" Conduit, Cov: 9.25m
- E) 1Ph Pri Dip, Mast: 2.0" Conduit, Cov: 9.25m



44.342032907058176,-79.67025013516015

Front-546 Welham Rd

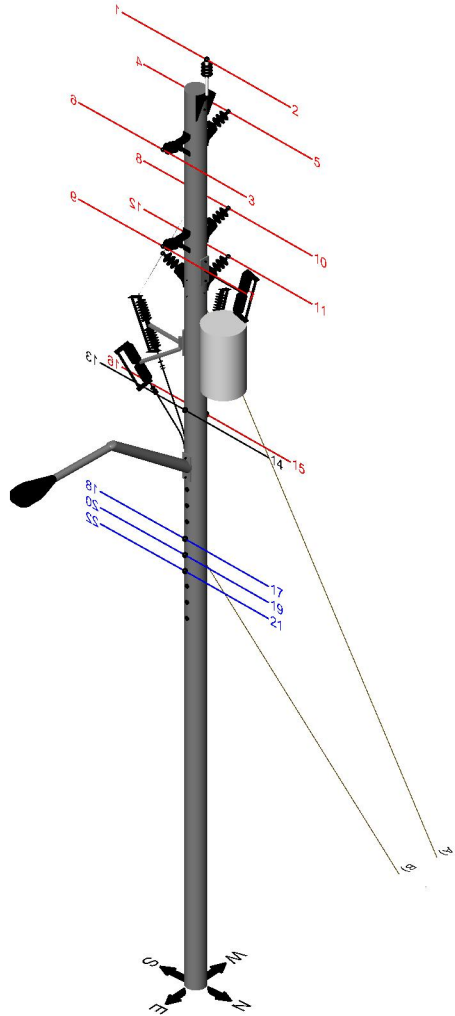
Surveyor..... Undisclosed  
 Date Surveyed.. 2020-06-05  
 Pole ID 1..... 545  
 Pole ID 2..... NA  
 TX Tag(s).....  
 SW Tag(s)..... SUT 2611 545  
 Owner..... Alectra  
 Usage..... Joint  
 Class..... G  
 Circumference...-  
 Height..... 55  
 Composition..... Concrete  
 Manufacturer.....  
 Year Mfg..... 1986  
 Year Install.....  
 Year Inspect.....  
 Species.....  
 Preserve.....  
 Pole Tilt.....

Top of Pole..... 13.9m  
 Lowest Primary..9.5m  
 Lowest Sec.....8.5m  
 Lowest SL.....7.95m  
 Lowest TL.....-

- PT  Has TX
- Has Primary Dip  Has Sec Dip
- Has Primary SW  Has Power VG
- Has In-Line SW(s)  Has Comm VG
- Has Ambiguous Grade

O/S to BOC/EOP 1..  
 O/S to BOC/EOP 2..  
 O/S to SW 1.....  
 O/S to SW 2.....  
 O/S to Fence.....  
 O/S to BOC Tang...  
 Vert O/S to Grade... -  
 Common Grade.....  
 Altitude.....  
 Condition: Visually OK

PDOP:

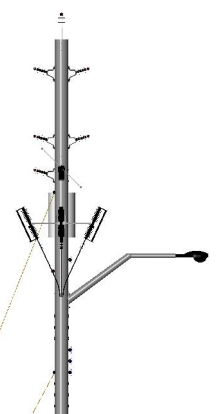
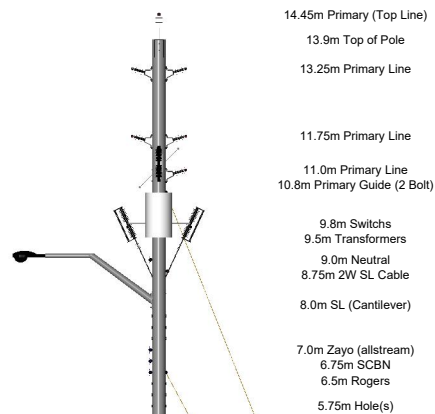
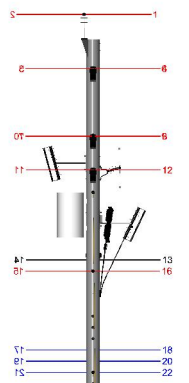
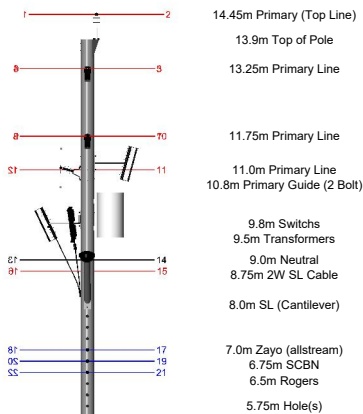


Looking W (RS View)

Looking E (FS View)

Looking S

Looking N



LINE ATTACHMENTS

REL	ITEM / CLIENT	LINE 1	LINE 2	T.BOLT	B.BOLT	POSITION	DIRECTION	STRAND GAUGE	CONDUCT AWG	ATTACH TYPE	ANC	DIPS	BND	SLACK	BROK LASH	FL90	Ex Arm	O/S	KV	SW-P	SW-L	SUB		
1	Primary (Top Line)	14.45m				85° / N	266° / S 54.6m to P35		556 / 0.9"	Stand Off 2x Bolt	✓													
2	Primary (Top Line)	14.45m				85° / N	85° / N 55.1m to P33		556 / 0.9"		✓													
3	Primary (Tier 1)	13.25m		13.25m	13.0m	355° / E (RS)	85° / N 55.1m to P33		556 / 0.9"	Stand Off 2x Bolt	✓													
4		13.25m		13.25m	13.0m	175° / W (FS)	266° / S 54.6m to P35		556 / 0.9"	Stand Off 2x Bolt	✓													
5		13.25m		13.25m	13.0m	175° / W (FS)	85° / N 55.1m to P33		556 / 0.9"	Stand Off 2x Bolt	✓													
6		13.25m		13.25m	13.0m	355° / E (RS)	266° / S 54.6m to P35		556 / 0.9"	Stand Off 2x Bolt	✓													
7	Primary (Tier 2)	11.75m		11.75m	11.5m	355° / E (RS)	85° / N 55.1m to P33		556 / 0.9"	Stand Off 2x Bolt	✓													
8		11.75m		11.75m	11.5m	175° / W (FS)	266° / S 54.6m to P35		556 / 0.9"	Stand Off 2x Bolt	✓													
9		11.75m		11.75m	11.5m	355° / E (RS)	266° / S 54.6m to P35		556 / 0.9"	Stand Off 2x Bolt	✓													
10		11.75m		11.75m	11.5m	175° / W (FS)	85° / N 55.1m to P33		556 / 0.9"	Stand Off 2x Bolt	✓													
11	Primary (Tier 3)	11.0m		11.0m	10.75m	175° / W (FS)	85° / N 55.1m to P33		556 / 0.9"	Stand Off 2x Bolt	✓													
12		11.0m		11.0m	10.75m	175° / W (FS)	266° / S 54.6m to P35		556 / 0.9"	Stand Off 2x Bolt	✓													
13	Neutral	9.0m				355° / E (RS)	266° / S 54.6m to P35		336 / 0.7"		✓		✓											
14	Neutral	9.0m				355° / E (RS)	85° / N 55.1m to P33		336 / 0.7"		✓		✓											
15	2W SL Cable	8.75m				175° / W (FS)	85° / N 55.1m to P33	unlashed	#6 / 0.2"															
16	2W SL Cable	8.75m				175° / W (FS)	266° / S 54.6m to P35	unlashed	#6 / 0.2"															
17	Zayo (allstream)	7.0m				355° / E (RS)	85° / N 55.1m to P33	5/16"																
		Cable: Cable: (1x) Fibre 0.8", (1x) Fibre 0.7"										Twist tied up; not yet lashed												
18	Zayo (allstream)	7.0m				355° / E (RS)	266° / S 54.6m to P35	5/16"																
		Cable: Cable: (1x) Fibre 0.8", (1x) Fibre 0.7"										Twist tied up; not yet lashed												
19	SCBN	6.75m				355° / E (RS)	85° / N 55.1m to P33	1/4"																
		Cable: Cable: (1x) Fibre 0.6", (2x) Fibre 0.4"; Equip: LB: 2/3 Span																						
20	Rogers & SCBN	6.75m				355° / E (RS)	266° / S 54.6m to P35	1/4"				✓												
		Cable: Cable: (2x) Fibre Drop, (1x) Fibre 0.7", (1x) Fibre 0.6", (1x) Fibre 0.4"; Equip: FOSC																						
21	Rogers	6.5m				355° / E (RS)	85° / N 55.1m to P33	1/4"				✓												
		Cable: Cable: (1x) Fibre 0.8", (1x) Fibre 0.6", (1x) Coax 625																						
22	Rogers	6.5m				355° / E (RS)	266° / S 54.6m to P35	1/4"				✓												
		Cable: Cable: (1x) Fibre 0.8", (1x) Fibre 0.6", (1x) Coax 625																						

STRUCTURES

REF	ITEM	TOP	BOTTOM	T.BOLT	B.BOLT	MID HT	PRI DL BUSH HT	SEC DL	WIDTH	DEPTH	DIAM	POSITION	COMPOSITE	DESCRIPTION	QTY	DIPS	BND
23	Hole(s)											355° / E (RS)			1		
		Heights: 5.75m, 6.0m, 6.25m, 7.25m, 7.5m, 7.75m															
24	Primary Guide (2 Bolt)			11.05m	10.8m							265° / S			1		
25	Transformers	10.4m	9.5m				10.65m					85° / N		Arrester with Fuse	1		✓
26	TX Fuses			11.3m								85° / N			1		✓
27	Switches			10.05m	9.8m							265° / S		Pole Pos: 99° / N	3		✓
28	SL (Cantilever)			8.25m	8.0m			7.95m				355° / E (RS)			1		

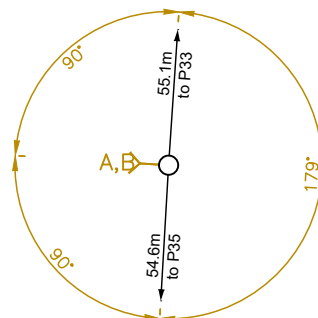
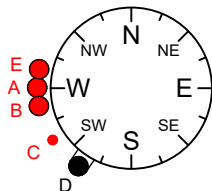
ANCHORS

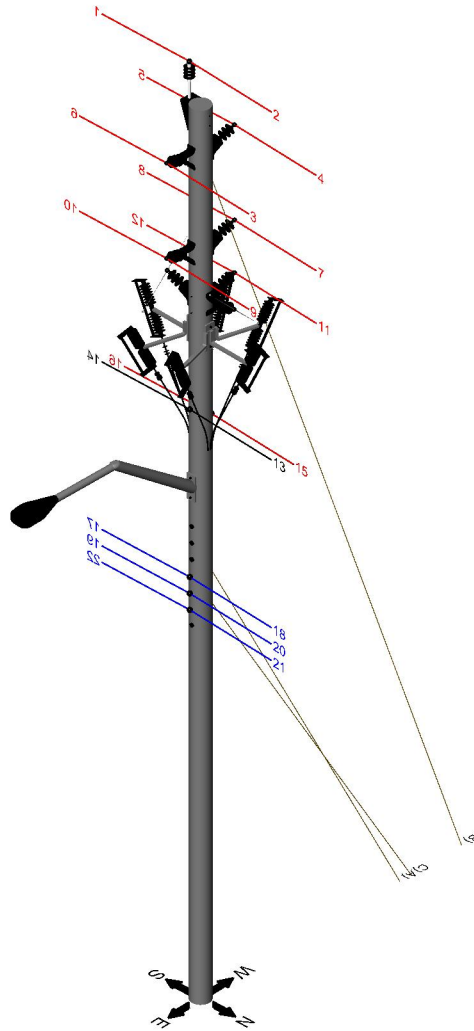
REF	CLIENT	DOWN GUY			SLOPE HEIGHT	DIRECTION	ROD				SW STRUT		MARKER		WISH BONE	AUX EYE
		HEIGHT	GAUGE	LEAD			DIAM	EYE	CONSTR	DEV ANG	CONCEALED	HEIGHT	LENGTH	CONSTR		
A	Power	10.5m	5/16"	4.3m	-0.3m	176° / W	11/16"	Twin	2x Piece							
B	Rogers	6.5m	1/4"	3.6m	-0.2m	176° / W	11/16"	Twin	2x Piece							

DIPS

TOP VIEW

- A) 1Ph Pri Dip, Mast: 2.0" Conduit, Cov: 8.8m
- B) 1Ph Pri Dip, Mast: 2.0" Conduit, Cov: 8.8m
- C) Primary VG
- D) SCBN FOC, Mast: 3.0" U-Guard, Cov: 2.7m
- E) 1Ph Pri Dip, Mast: 2.0" Conduit, Cov: 8.8m





44.34154174117873,-79.67030073753159  
 Front-550 Welham Rd  
 Surveyor..... Undisclosed  
 Date Surveyed.. 2020-06-05  
 Pole ID 1..... P6165  
 Pole ID 2..... NA  
 TX Tag(s).....  
 SW Tag(s)..... SUT 2612/3 / 550/555  
 Owner..... Alectra  
 Usage..... Joint  
 Class..... G  
 Circumference...-  
 Height..... 55  
 Composition..... Concrete  
 Manufacturer.....  
 Year Mfg..... 1986  
 Year Install.....  
 Year Inspect.....  
 Species.....  
 Preserve.....  
 Pole Tilt.....  
**Top of Pole..... 13.6m**  
**Lowest Primary..9.75m**  
**Lowest Sec.....9.05m**  
**Lowest SL.....7.77m**  
**Lowest TL.....-**

PT  Has TX  
 Has Primary Dip  Has Sec Dip  
 Has Primary SW  Has Power VG  
 Has In-Line SW(s)  Has Comm VG  
 Has Ambiguous Grade

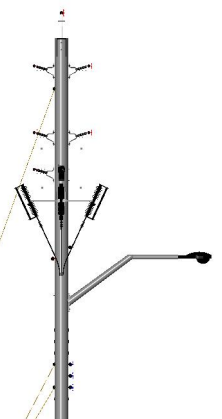
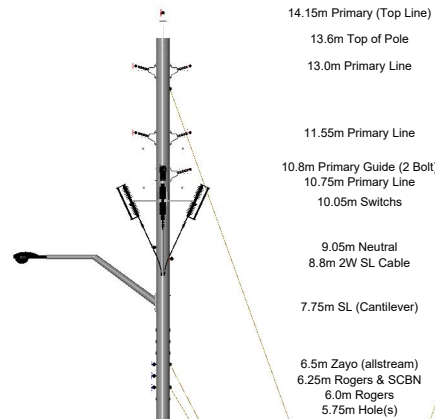
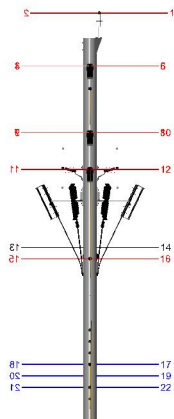
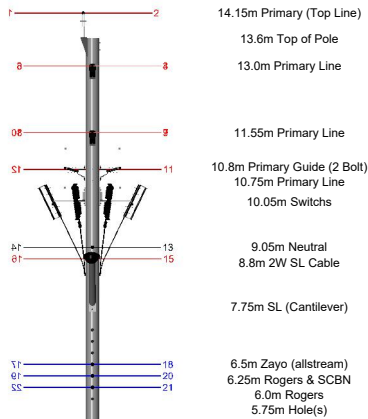
O/S to BOC/EOP 1..  
 O/S to BOC/EOP 2..  
 O/S to SW 1.....  
 O/S to SW 2.....  
 O/S to Fence.....  
 O/S to BOC Tang...  
 Vert O/S to Grade... -  
 Common Grade.....  
 Altitude.....  
 Condition: Visually OK

Looking W (RS View)

Looking E (FS View)

Looking S

Looking N



LINE ATTACHMENTS

REL	ITEM / CLIENT	LINE 1	LINE 2	T.BOLT	B.BOLT	POSITION	DIRECTION	STRAND GAUGE	CONDUCT AWG	ATTACH TYPE	ANC	DIPS	BND	SLACK	BROK LASH	FL90	Ex Arm	O/S	KV	SW-P	SW-L	SUB				
1	Primary (Top Line)	14.15m				268° / S	270° / S 55.3m to P36		556 / 0.9"	Stand Off 2x Bolt	✓															
2	Primary (Top Line)	14.15m				268° / S	86° / N 54.6m to P34		556 / 0.9"																	
3	Primary (Tier 1)	13.0m		13.0m	12.75m	358° / E (RS)	86° / N 54.6m to P34		556 / 0.9"	Stand Off 2x Bolt	✓															
4		13.0m		13.0m	12.75m	178° / W (FS)	86° / N 54.6m to P34		556 / 0.9"	Stand Off 2x Bolt	✓															
5		13.0m		13.0m	12.75m	178° / W (FS)	270° / S 55.3m to P36		556 / 0.9"	Stand Off 2x Bolt	✓															
6		13.0m		13.0m	12.75m	358° / E (RS)	270° / S 55.3m to P36		556 / 0.9"	Stand Off 2x Bolt	✓															
7	Primary (Tier 2)	11.55m		11.55m	11.3m	178° / W (FS)	86° / N 54.6m to P34		556 / 0.9"	Stand Off 2x Bolt	✓															
8		11.55m		11.55m	11.3m	178° / W (FS)	270° / S 55.3m to P36		556 / 0.9"	Stand Off 2x Bolt	✓															
9		11.55m		11.55m	11.3m	358° / E (RS)	86° / N 54.6m to P34		556 / 0.9"	Stand Off 2x Bolt	✓															
10		11.55m		11.55m	11.3m	358° / E (RS)	270° / S 55.3m to P36		556 / 0.9"	Stand Off 2x Bolt	✓															
11	Primary (Tier 3)	10.75m		10.75m	10.5m	178° / W (FS)	86° / N 54.6m to P34		556 / 0.9"	Stand Off 2x Bolt	✓															
12		10.75m		10.75m	10.5m	178° / W (FS)	270° / S 55.3m to P36		556 / 0.9"	Stand Off 2x Bolt	✓															
13	Neutral	9.05m				358° / E (RS)	86° / N 54.6m to P34		336 / 0.7"		✓		✓													
14	Neutral	9.05m				358° / E (RS)	270° / S 55.3m to P36		336 / 0.7"		✓		✓													
15	2W SL Cable	8.8m				178° / W (FS)	86° / N 54.6m to P34	unlashed	#6 / 0.2"																	
16	2W SL Cable	8.8m				178° / W (FS)	270° / S 55.3m to P36	unlashed	#6 / 0.2"																	
17	Zayo (allstream)	6.5m				358° / E (RS)	270° / S 55.3m to P36	5/16"			✓															
Cable: Cable: (1x) Fibre 0.8", (1x) Fibre 0.7"																										
18	Zayo (allstream)	6.5m				358° / E (RS)	86° / N 54.6m to P34	5/16"			✓															
Cable: Cable: (1x) Fibre 0.8", (1x) Fibre 0.7"																										
19	Rogers & SCBN	6.25m				358° / E (RS)	270° / S 55.3m to P36	1/4"																		
Cable: Cable: (1x) Fibre Drop, (1x) Fibre 0.7", (1x) Fibre 0.6", (1x) Fibre 0.4"																										
20	Rogers & SCBN	6.25m				358° / E (RS)	86° / N 54.6m to P34	1/4"																		
Cable: Cable: (2x) Fibre Drop, (1x) Fibre 0.7", (1x) Fibre 0.6", (1x) Fibre 0.4"																										
21	Rogers	6.0m				358° / E (RS)	86° / N 54.6m to P34	1/4"			✓															
Cable: Cable: (1x) Fibre 0.8", (1x) Fibre 0.6", (1x) Coax 625																										
22	Rogers	6.0m				358° / E (RS)	270° / S 55.3m to P36	1/4"			✓															
Cable: Cable: (1x) Fibre 0.8", (1x) Fibre 0.6", (1x) Coax 625																										

STRUCTURES

REL	ITEM	TOP	BOTTOM	T.BOLT	B.BOLT	MID HT	PRI DL BUSH HT	SEC DL	WIDTH	DEPTH	DIAM	POSITION	COMPOSITE	DESCRIPTION	QTY	DIPS	BND
23	Primary Guide (2 Bolt)			10.78m	10.8m							358° / E (RS)			2		
24	Switchs			10.3m	10.05m							88° / N		Pole Pos: 99° / N	3	✓	✓
25	Switchs			10.3m	10.05m							268° / S		Pole Pos: 99° / N	3	✓	✓
26	SL (Cantilever)			8.0m	7.75m			7.77m				358° / E (RS)			1		
27	Hole(s)											358° / E (RS)			1		
Heights: 5.75m, 6.75m, 7.0m, 7.25m																	

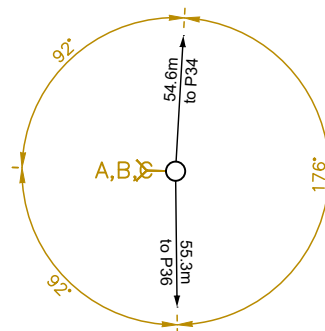
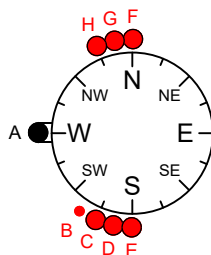
ANCHORS

REL	CLIENT	DOWN GUY			SLOPE HEIGHT	DIRECTION	ROD				SW STRUT		MARKER		WISH BONE	AUX EYE
		HEIGHT	GAUGE	LEAD			DIAM	EYE	CONSTR	DEV ANG	CONCEALED	HEIGHT	LENGTH	CONSTR		
A	Zayo (allstream)	6.5m	5/16"	3.4m	-	179° / W	1"	Triple	1x Piece							
B	Power	12.5m	5/16"	4.5m	-	179° / W	11/16"	Twin	2x Piece							
C	Rogers	6.0m	1/4"	3.6m	-	179° / W	11/16"	Twin	2x Piece							

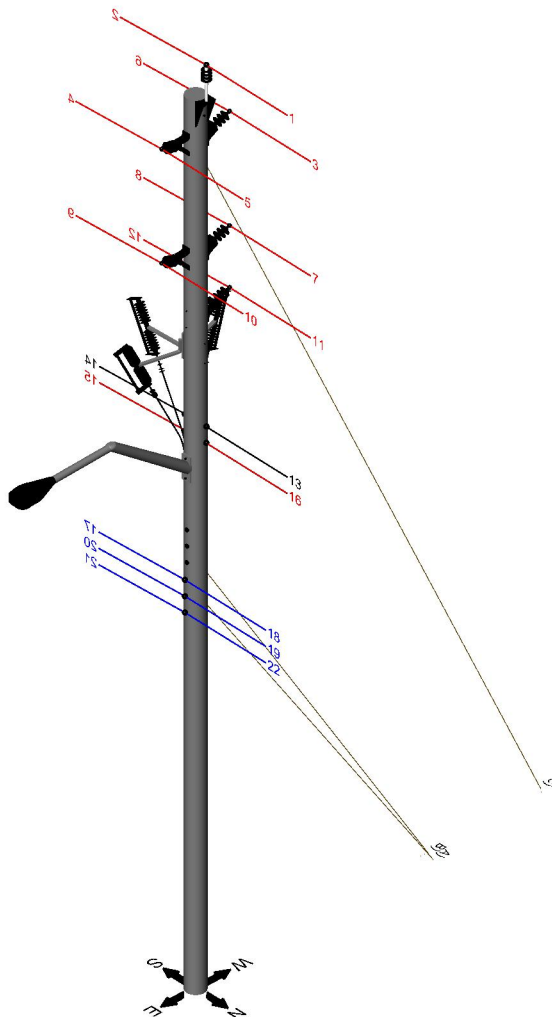
DIPS

TOP VIEW

- A) Rogers FOC, Mast: 3.0" U-Guard, Cov: 4.45m
- B) Primary VG
- C) 1Ph Pri Dip, Mast: 2.0" Conduit, Cov: 8.9m
- D) 1Ph Pri Dip, Mast: 2.0" Conduit, Cov: 8.9m
- E) 1Ph Pri Dip, Mast: 2.0" Conduit, Cov: 8.9m
- F) 1Ph Pri Dip, Mast: 2.0" Conduit, Cov: 9.04m
- G) 1Ph Pri Dip, Mast: 2.0" Conduit, Cov: 9.04m
- H) 1Ph Pri Dip, Mast: 2.0" Conduit, Cov: 9.04m







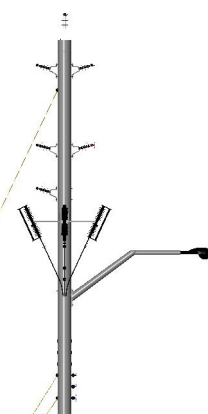
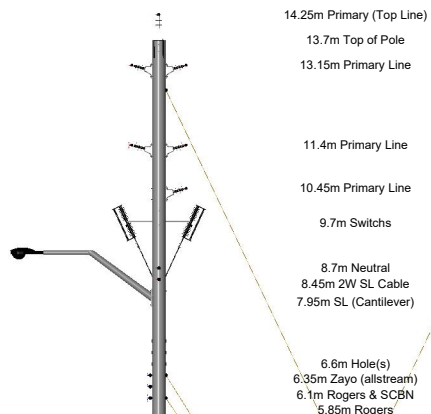
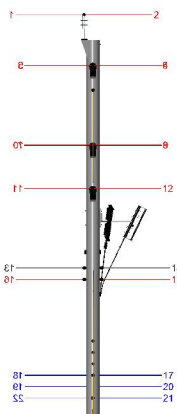
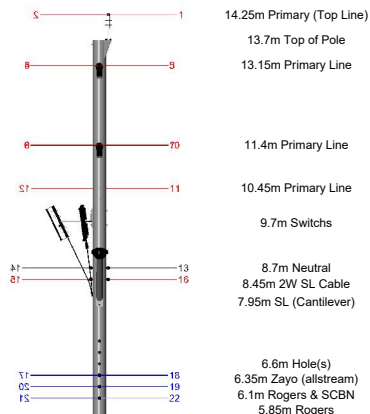
44.34104439954723,-79.67030432620365  
 Front-560 Welham Rd  
 Surveyor..... Undisclosed  
 Date Surveyed.. 2020-06-08  
 Pole ID 1..... P6166  
 Pole ID 2..... NA  
 TX Tag(s).....  
 SW Tag(s)..... SUT 2614 561 / S13009  
 Owner..... Alectra  
 Usage..... Joint  
 Class..... G  
 Circumference...-  
 Height..... 55  
 Composition..... Concrete  
 Manufacturer.....  
 Year Mfg..... 1986  
 Year Install.....  
 Year Inspect.....  
 Species.....  
 Preserve.....  
 Pole Tilt.....  
 Top of Pole..... 13.7m  
 Lowest Primary..9.45m  
 Lowest Sec.....8.7m  
 Lowest SL.....7.9m  
 Lowest TL.....-  
 PT  Has TX  
 Has Primary Dip  Has Sec Dip  
 Has Primary SW  Has Power VG  
 Has In-Line SW(s)  Has Comm VG  
 Has Ambiguous Grade  
 O/S to BOC/EOP 1..  
 O/S to BOC/EOP 2..  
 O/S to SW 1.....  
 O/S to SW 2.....  
 O/S to Fence.....  
 O/S to BOC Tang...  
 Vert O/S to Grade...-  
 Common Grade.....  
 Altitude.....  
 Condition: Visually OK PDOP:

Looking W (RS View)

Looking E (FS View)

Looking S

Looking N



LINE ATTACHMENTS

REL	ITEM / CLIENT	LINE 1	LINE 2	T.BOLT	B.BOLT	POSITION	DIRECTION	STRAND GAUGE	CONDUCT AWG	ATTACH TYPE	ANC	DIPS	BND	SLACK	BROK LASH	FL90	Ex Arm	O/S	KV	SW-P	SW-L	SUB	
1	Primary (Top Line)	14.25m				90° / N	90° / N 55.3m to P35		556 / 0.9"														
2	Primary (Top Line)	14.25m				90° / N	273° / S 55.3m to P37		556 / 0.9"	Stand Off 2x Bolt													
3	Primary (Tier 1)	13.15m		13.15m	12.9m	181° / W (FS)	90° / N 55.3m to P35		556 / 0.9"	Stand Off 2x Bolt													
4		13.15m		13.15m	12.9m	1° / E (RS)	273° / S 55.3m to P37		556 / 0.9"	Stand Off 2x Bolt													
5		13.15m		13.15m	12.9m	1° / E (RS)	90° / N 55.3m to P35		556 / 0.9"	Stand Off 2x Bolt													
6		13.15m		13.15m	12.9m	181° / W (FS)	273° / S 55.3m to P37		556 / 0.9"	Stand Off 2x Bolt													
7	Primary (Tier 2)	11.4m		11.4m	11.15m	181° / W (FS)	90° / N 55.3m to P35		556 / 0.9"	Stand Off 2x Bolt													
8		11.4m		11.4m	11.15m	181° / W (FS)	273° / S 55.3m to P37		556 / 0.9"	Stand Off 2x Bolt													
9		11.4m		11.4m	11.15m	1° / E (RS)	273° / S 55.3m to P37		556 / 0.9"	Stand Off 2x Bolt													
10		11.4m		11.4m	11.15m	1° / E (RS)	90° / N 55.3m to P35		556 / 0.9"	Stand Off 2x Bolt													
11	Primary (Tier 3)	10.45m		10.45m	10.2m	181° / W (FS)	90° / N 55.3m to P35		556 / 0.9"	Stand Off 2x Bolt													
12		10.45m		10.45m	10.2m	181° / W (FS)	273° / S 55.3m to P37		556 / 0.9"	Stand Off 2x Bolt													
13	Neutral	8.7m				92° / N	90° / N 55.3m to P35		336 / 0.7"														
14	Neutral	8.7m				272° / S	273° / S 55.3m to P37		336 / 0.7"														
15	2W SL Cable	8.45m				272° / S	273° / S 55.3m to P37	unlashed	#6 / 0.2"														
16	2W SL Cable	8.45m				92° / N	90° / N 55.3m to P35	unlashed	#6 / 0.2"														
17	Zayo (allstream)	6.35m				2° / E (RS)	273° / S 55.3m to P37	5/16"															
Cable: Cable: (1x) Fibre 0.8",(1x) Fibre 0.7"																							
18	Zayo (allstream)	6.35m				2° / E (RS)	90° / N 55.3m to P35	5/16"															
Cable: Cable: (1x) Fibre 0.8",(1x) Fibre 0.7"																							
19	Rogers & SCBN	6.1m				2° / E (RS)	90° / N 55.3m to P35	1/4"															
Cable: Cable: (1x) Fibre Drop,(1x) Fibre 0.7",(1x) Fibre 0.6",(1x) Fibre 0.4"																							
20	Rogers & SCBN	6.1m				2° / E (RS)	273° / S 55.3m to P37	1/4"															
Cable: Cable: (1x) Fibre Drop,(1x) Fibre 0.7",(1x) Fibre 0.6",(1x) Fibre 0.4"																							
21	Rogers	5.85m				2° / E (RS)	273° / S 55.3m to P37	1/4"															
Cable: Cable: (1x) Fibre 0.8",(1x) Fibre 0.6",(1x) Coax 625																							
22	Rogers	5.85m				2° / E (RS)	90° / N 55.3m to P35	1/4"															
Cable: Cable: (1x) Fibre 0.8",(1x) Fibre 0.6",(1x) Coax 625																							

STRUCTURES

REL	ITEM	TOP	BOTTOM	T.BOLT	B.BOLT	MID HT	PRI DL BUSH HT	SEC DL	WIDTH	DEPTH	DIAM	POSITION	COMPOSITE	DESCRIPTION	QTY	DIPS	BND
23	Switches			9.95m	9.7m							272° / S		Pole Pos: 99° / N	3	✓	✓
24	SL (Cantilever)			8.2m	7.95m			7.9m				2° / E (RS)			1		
25	Hole(s)											2° / E (RS)			1		

Heights: 6.6m, 6.85m, 7.1m

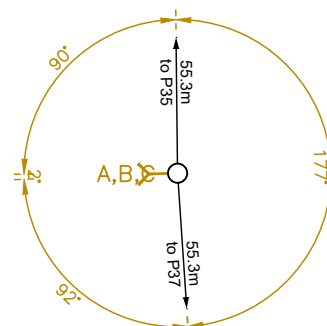
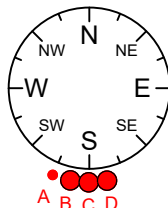
ANCHORS

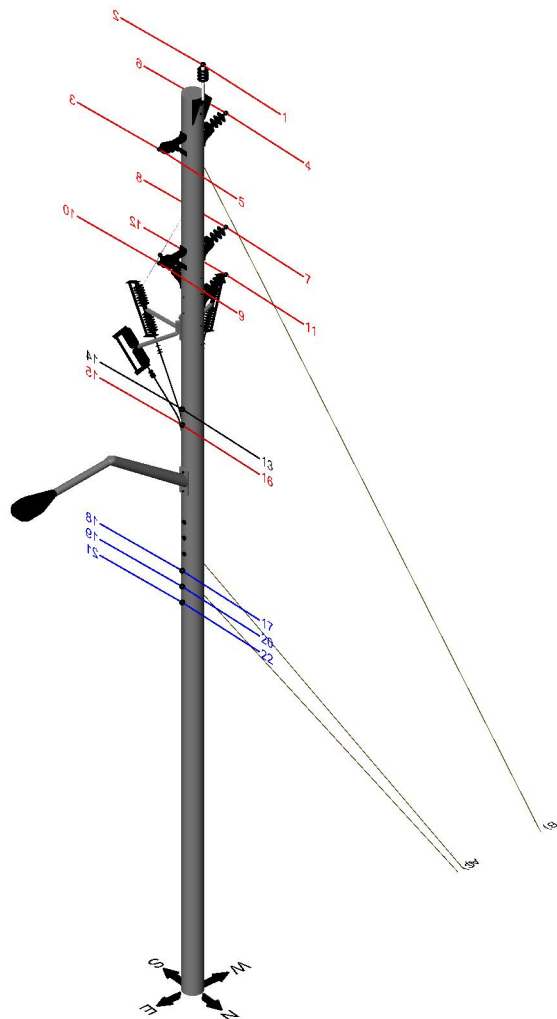
REL	CLIENT	DOWN GUY			SLOPE HEIGHT	DIRECTION	ROD				SW STRUT		MARKER		WISH BONE	AUX EYE
		HEIGHT	GAUGE	LEAD			DIAM	EYE	CONSTR	DEV ANG	CONCEALED	HEIGHT	LENGTH	CONSTR		
A	Rogers	5.85m	1/4"	3.95m	-	180° / W	1"	Triple	1x Piece							
B	Rogers & SCBN	6.35m	5/16"	4.0m	-	182° / W	11/16"	Twin	2x Piece							
C	Power	12.6m	5/16"	6.0m	-	182° / W	7/8"	Triple	2x Piece							

DIPS

TOP VIEW

- A) Primary VG
- B) (2x) Pri Dip, Mast: 2.0" Conduit, Cov: 8.62m
- C) 1Ph Pri Dip, Mast: 2.0" Conduit, Cov: 8.62m
- D) 1Ph Pri Dip, Mast: 2.0" Conduit, Cov: 8.62m





44.34054741639839,-79.67026865664391  
 Front-566 Welham Rd  
 Surveyor..... Undisclosed  
 Date Surveyed.. 2020-06-08  
 Pole ID 1..... P6167  
 Pole ID 2..... NA  
 TX Tag(s).....  
 SW Tag(s)..... SUT 2702 / 565/571  
 Owner..... Alectra  
 Usage..... Joint  
 Class..... G  
 Circumference...-  
 Height..... 55  
 Composition..... Concrete  
 Manufacturer.....  
 Year Mfg..... 1986  
 Year Install.....  
 Year Inspect.....  
 Species.....  
 Preserve.....  
 Pole Tilt.....  
**Top of Pole..... 14.15m**  
**Lowest Primary..10.0m**  
**Lowest Sec.....9.25m**  
**Lowest SL.....7.95m**  
**Lowest TL.....-**

PT  Has TX  
 Has Primary Dip  Has Sec Dip  
 Has Primary SW  Has Power VG  
 Has In-Line SW(s)  Has Comm VG  
 Has Ambiguous Grade

O/S to BOC/EOP 1..  
 O/S to BOC/EOP 2..  
 O/S to SW 1.....  
 O/S to SW 2.....  
 O/S to Fence.....  
 O/S to BOC Tang...  
 Vert O/S to Grade... -  
 Common Grade.....  
 Altitude.....  
 Condition: Visually OK

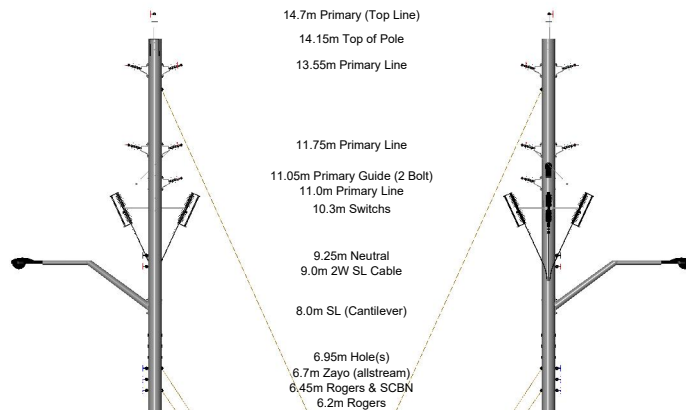
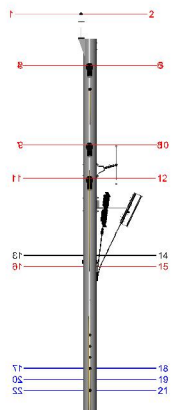
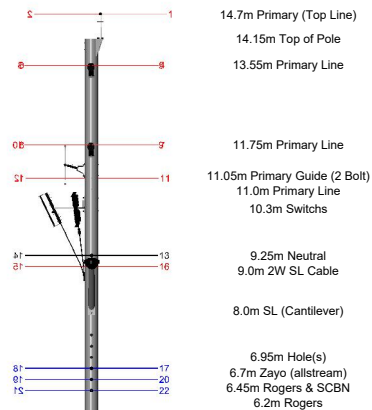
PDOP:

Looking W (RS View)

Looking E (FS View)

Looking S

Looking N



LINE ATTACHMENTS

REL	ITEM / CLIENT	LINE 1	LINE 2	T.BOLT	B.BOLT	POSITION	DIRECTION	STRAND GAUGE	CONDUCT AWG	ATTACH TYPE	ANC	DIPS	BND	SLACK	BROK LASH	FL90	Ex Arm	O/S	KV	SW-P	SW-L	SUB	
1	Primary (Top Line)	14.7m				93° / N	93° / N 55.3m to P36		556 / 0.9"		✓												
2	Primary (Top Line)	14.7m				93° / N	276° / S 55.3m to P38		556 / 0.9"	Stand Off 2x Bolt	✓												
3	Primary (Tier 1)	13.55m		13.55m	13.3m	5° / E (RS)	276° / S 55.3m to P38		556 / 0.9"	Stand Off 2x Bolt	✓												
4		13.55m		13.55m	13.3m	185° / W (FS)	93° / N 55.3m to P36		556 / 0.9"	Stand Off 2x Bolt	✓												
5		13.55m		13.55m	13.3m	5° / E (RS)	93° / N 55.3m to P36		556 / 0.9"	Stand Off 2x Bolt	✓												
6		13.55m		13.55m	13.3m	185° / W (FS)	276° / S 55.3m to P38		556 / 0.9"	Stand Off 2x Bolt	✓												
7	Primary (Tier 2)	11.75m		11.75m	11.5m	185° / W (FS)	93° / N 55.3m to P36		556 / 0.9"	Stand Off 2x Bolt	✓												
8		11.75m		11.75m	11.5m	185° / W (FS)	276° / S 55.3m to P38		556 / 0.9"	Stand Off 2x Bolt	✓												
9		11.75m		11.75m	11.5m	5° / E (RS)	93° / N 55.3m to P36		556 / 0.9"	Stand Off 2x Bolt	✓												
10		11.75m		11.75m	11.5m	5° / E (RS)	276° / S 55.3m to P38		556 / 0.9"	Stand Off 2x Bolt	✓												
11	Primary (Tier 3)	11.0m		11.0m	10.75m	185° / W (FS)	93° / N 55.3m to P36		556 / 0.9"	Stand Off 2x Bolt	✓												
12		11.0m		11.0m	10.75m	185° / W (FS)	276° / S 55.3m to P38		556 / 0.9"	Stand Off 2x Bolt	✓												
13	Neutral	9.25m				6° / E (RS)	93° / N 55.3m to P36		336 / 0.7"		✓		✓										
14	Neutral	9.25m				6° / E (RS)	276° / S 55.3m to P38		336 / 0.7"		✓		✓										
15	2W SL Cable	9.0m				6° / E (RS)	276° / S 55.3m to P38	unlashed	#6 / 0.2"														
16	2W SL Cable	9.0m				6° / E (RS)	93° / N 55.3m to P36	unlashed	#6 / 0.2"														
17	Zayo (allstream)	6.7m				6° / E (RS)	93° / N 55.3m to P36	5/16"			✓												
Cable: Cable: (1x) Fibre 0.8", (1x) Fibre 0.7"																							
18	Zayo (allstream)	6.7m				6° / E (RS)	276° / S 55.3m to P38	5/16"			✓												
Cable: Cable: (1x) Fibre 0.8", (1x) Fibre 0.7"																							
19	Rogers & SCBN	6.45m				6° / E (RS)	276° / S 55.3m to P38	1/4"															
Cable: Cable: (1x) Fibre 0.7", (1x) Fibre 0.6", (1x) Fibre 0.4"; Equip: LB: 1/2 Span																							
20	Rogers & SCBN	6.45m				6° / E (RS)	93° / N 55.3m to P36	1/4"															
Cable: Cable: (1x) Fibre Drop, (1x) Fibre 0.7", (1x) Fibre 0.6", (1x) Fibre 0.4"																							
21	Rogers	6.2m				6° / E (RS)	276° / S 55.3m to P38	1/4"			✓												
Cable: Cable: (1x) Fibre 0.8", (1x) Fibre 0.6", (1x) Coax 625; Equip: LB: Full Span																							
22	Rogers	6.2m				6° / E (RS)	93° / N 55.3m to P36	1/4"			✓												
Cable: Cable: (1x) Fibre 0.8", (1x) Fibre 0.6", (1x) Coax 625																							

STRUCTURES

REL	ITEM	TOP	BOTTOM	T.BOLT	B.BOLT	MID HT	PRI DL BUSH HT	SEC DL	WIDTH	DEPTH	DIAM	POSITION	COMPOSITE	DESCRIPTION	QTY	DIPS	BND
23	Primary Guide (2 Bolt)			11.3m	11.05m							276° / S			1		
24	Switches			10.55m	10.3m							276° / S		Pole Pos: 99° / N	3	✓	✓
25	SL (Cantilever)			8.25m	8.0m			7.95m				6° / E (RS)			1		
26	Hole(s)											6° / E (RS)			1		
Heights: 6.95m, 7.2m, 7.45m																	

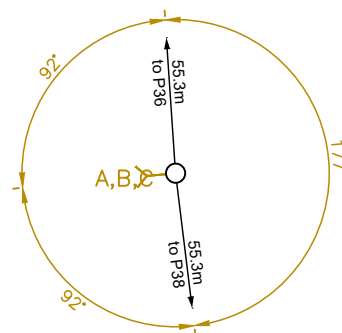
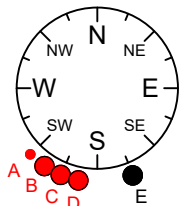
ANCHORS

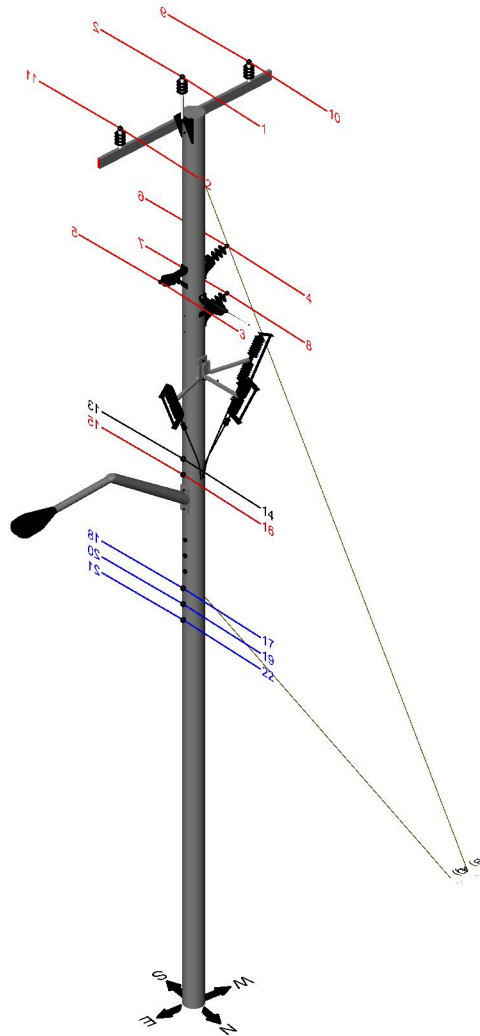
L. REL	CLIENT	DOWN GUY			SLOPE HEIGHT	DIRECTION	ROD				SW STRUT		MARKER		WISH BONE	AUX EYE
		HEIGHT	GAUGE	LEAD			DIAM	EYE	CONSTR	DEV ANG	CONCEALED	HEIGHT	LENGTH	CONSTR		
A	Zayo (allstream)	6.7m	5/16"	4.75m	-0.5m	185° / W	1"	Triple	1x Piece							
B	Power	13.0m	5/16"	6.15m	-0.6m	185° / W	7/8"	Triple	2x Piece							
C	Rogers	6.2m	1/4"	4.65m	-0.5m	185° / W	11/16"	Twin	2x Piece							

DIPS

TOP VIEW

- A) Primary VG
- B) 1Ph Pri Dip, Mast: 2.0" Conduit, Cov: 7.7m
- C) 1Ph Pri Dip, Mast: 2.0" Conduit, Cov: 7.85m
- D) 1Ph Pri Dip, Mast: 2.0" Conduit, Cov: 8.0m
- E) Rogers FOC, Mast: NA





44.34005235357597,-79.67019514377131  
Front-572 Welham Rd

Surveyor..... Undisclosed  
Date Surveyed.. 2020-06-08  
Pole ID 1..... P6168  
Pole ID 2..... NA  
TX Tag(s).....  
SW Tag(s)..... SUT 2701 / 566  
Owner..... Alectra  
Usage..... Joint  
Class..... G  
Circumference...-  
Height..... 55  
Composition..... Concrete  
Manufacturer.....  
Year Mfg..... 1986  
Year Install.....  
Year Inspect.....  
Species.....  
Preserve.....  
Pole Tilt.....

Top of Pole..... 14.1m  
Lowest Primary..9.7m  
Lowest Sec.....8.7m  
Lowest SL.....7.9m  
Lowest TL.....-

- PT
- Has TX
- Has Primary Dip
- Has Sec Dip
- Has Primary SW
- Has Power VG
- Has In-Line SW(s)
- Has Comm VG
- Has Ambiguous Grade

O/S to BOC/EOP 1..  
O/S to BOC/EOP 2..  
O/S to SW 1.....  
O/S to SW 2.....  
O/S to Fence.....  
O/S to BOC Tang...  
Vert O/S to Grade... -  
Common Grade.....  
Altitude.....  
Condition: Visually OK

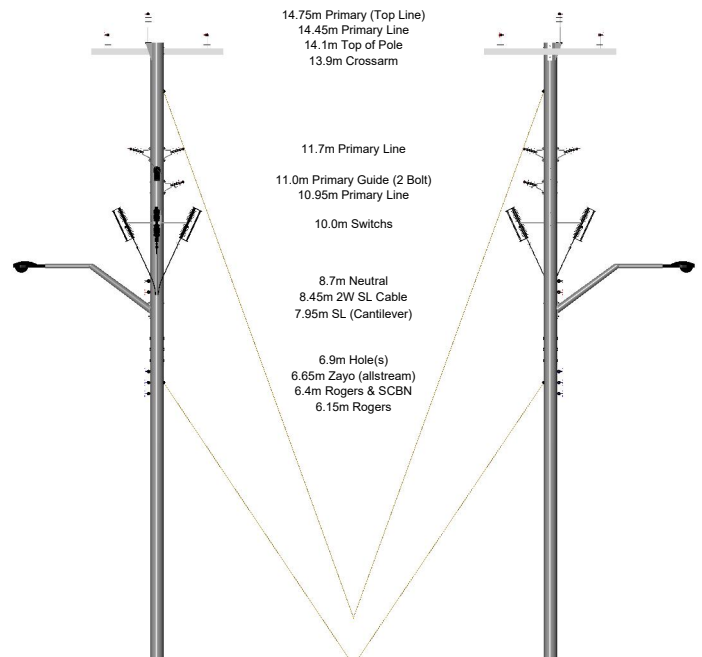
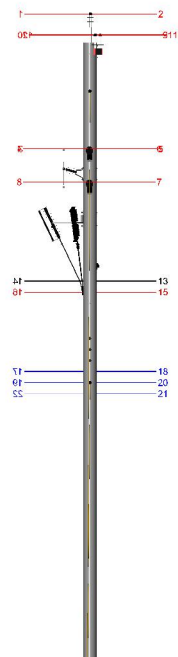
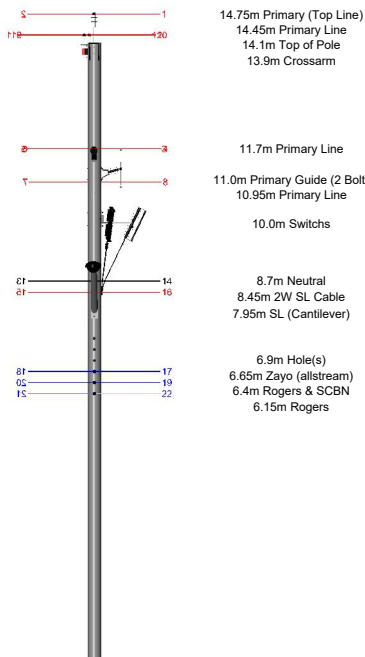
PDOP:

Looking W (RS View)

Looking E (FS View)

Looking S

Looking N



LINE ATTACHMENTS

REL	ITEM / CLIENT	LINE 1	LINE 2	T.BOLT	B.BOLT	POSITION	DIRECTION	STRAND GAUGE	CONDUCT AWG	ATTACH TYPE	ANC	DIPS	BND	SLACK	BROK LASH	FL90	Ex Arm	O/S	KV	SW-P	SW-L	SUB			
1	Primary (Top Line)	14.75m				6° / E (RS)	96° / N 55.3m to P37		556 / 0.9"	Stand Off 2x Bolt	✓														
2	Primary (Top Line)	14.75m				6° / E (RS)	279° / S 48.9m to P39		556 / 0.9"	Stand Off 2x Bolt	✓														
3	Primary (Tier 1)	11.7m		11.7m	11.45m	7° / E (RS)	96° / N 55.3m to P37		556 / 0.9"	Stand Off 2x Bolt	✓														
4		11.7m		11.7m	11.45m	187° / W (FS)	96° / N 55.3m to P37		556 / 0.9"	Stand Off 2x Bolt	✓														
5		11.7m		11.7m	11.45m	7° / E (RS)	279° / S 48.9m to P39		556 / 0.9"	Stand Off 2x Bolt	✓														
6		11.7m		11.7m	11.45m	187° / W (FS)	279° / S 48.9m to P39		556 / 0.9"	Stand Off 2x Bolt	✓														
7		10.95m		10.95m	10.7m	187° / W (FS)	279° / S 48.9m to P39		556 / 0.9"	Stand Off 2x Bolt	✓														
8	Primary (Tier 2)	10.95m		10.95m	10.7m	187° / W (FS)	96° / N 55.3m to P37		556 / 0.9"	Stand Off 2x Bolt	✓														
	1xMember-2xBolt CA	13.9m		14.03m	13.78m	276° / S				Metal Bar															
9		14.45m				1/1, 186°W (FS)	279° / S 48.9m to P39		556 / 0.9"		✓														
10		14.45m					1/1, 186°W (FS)	96° / N 55.3m to P37		556 / 0.9"		✓													
11		14.45m					1/1, 6°E (RS)	279° / S 48.9m to P39		556 / 0.9"		✓													
12		14.45m					1/1, 6°E (RS)	96° / N 55.3m to P37		556 / 0.9"		✓													
13	Neutral	8.7m				9° / E (RS)	279° / S 48.9m to P39		336 / 0.7"		✓		✓												
14	Neutral	8.7m				9° / E (RS)	96° / N 55.3m to P37		336 / 0.7"		✓		✓												
15	2W SL Cable	8.45m				9° / E (RS)	279° / S 48.9m to P39	unlashed	#6 / 0.2"																
16	2W SL Cable	8.45m				9° / E (RS)	96° / N 55.3m to P37	unlashed	#6 / 0.2"																
17	Zayo (allstream)	6.65m				9° / E (RS)	96° / N 55.3m to P37	5/16"																	
	Cable: Cable: (1x) Fibre 0.8", (1x) Fibre 0.7"																								
18	Zayo (allstream)	6.65m				9° / E (RS)	279° / S 48.9m to P39	5/16"																	
	Cable: Cable: (1x) Fibre 0.8", (1x) Fibre 0.7"																								
19	Rogers & SCBN	6.4m				9° / E (RS)	96° / N 55.3m to P37	1/4"				✓													
	Cable: Cable: (1x) Fibre 0.7", (1x) Fibre 0.6", (1x) Fibre 0.4"																								
20	Rogers & SCBN	6.4m				9° / E (RS)	279° / S 48.9m to P39	1/4"				✓													
	Cable: Cable: (1x) Fibre 0.7", (1x) Fibre 0.6", (1x) Fibre 0.4"																								
21	Rogers	6.15m				9° / E (RS)	279° / S 48.9m to P39	1/4"				✓													
	Cable: Cable: (1x) Fibre 0.8", (1x) Fibre 0.6", (1x) Coax 625																								
22	Rogers	6.15m				9° / E (RS)	96° / N 55.3m to P37	1/4"				✓													
	Cable: Cable: (1x) Fibre 0.8", (1x) Fibre 0.6", (1x) Coax 625; Equip: LB: Full Span																								

STRUCTURES

REL	ITEM	TOP	BOTTOM	T.BOLT	B.BOLT	MID HT	PRI DL BUSH HT	SEC DL	WIDTH	DEPTH	DIAM	POSITION	COMPOSITE	DESCRIPTION	QTY	DIPS	BND
23	Primary Guide (2 Bolt)			11.25m	11.0m							99° / N			1		
24	Switches			10.25m	10.0m							99° / N		Pole Pos: 99° / N	3	✓	✓
25	SL (Cantilever)			8.2m	7.95m			7.9m				9° / E (RS)			1		
26	Hole(s)											9° / E (RS)			1		
	Heights: 6.9m, 7.15m, 7.4m																

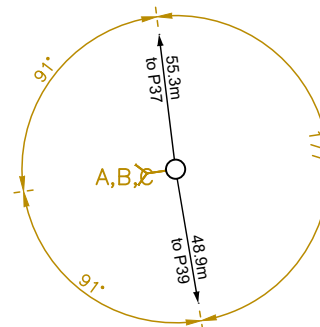
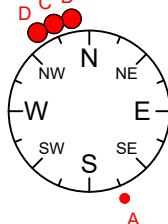
ANCHORS

REL	CLIENT	DOWN GUY			SLOPE HEIGHT	DIRECTION	ROD				SW STRUT		MARKER		WISH BONE	AUX EYE	
		HEIGHT	GAUGE	LEAD			DIAM	EYE	CONSTR	DEV ANG	CONCEALED	HEIGHT	LENGTH	CONSTR			CONDITION
A				4.55m	-0.3m	188° / W	1"	Triple	1x Piece								
	Anchor rod only (no DG currently installed)																
B	Power	13.0m	5/16"	4.8m	-0.3m	188° / W	7/8"	Twin	2x Piece								
C	Rogers & SCBN	6.4m	1/4"	4.5m	-0.3m	188° / W		Twin	2x Piece		by Earth						

DIPS

TOP VIEW

- A) Primary VG
- B) 1Ph Pri Dip, Mast: 2.0" Conduit, Cov: 8.4m
- C) 1Ph Pri Dip, Mast: 2.0" Conduit, Cov: 8.25m
- D) 1Ph Pri Dip, Mast: 2.0" Conduit, Cov: 8.8m



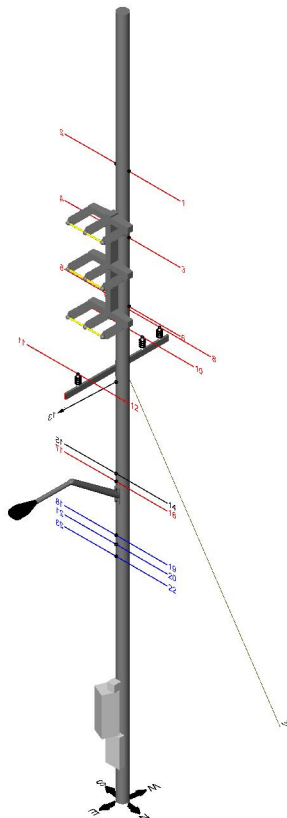
44.33961975921538,-79.67010310957586  
 Front-572 Welham Rd  
 Surveyor..... Undisclosed  
 Date Surveyed.. 2020-06-08  
 Pole ID 1..... P6169  
 Pole ID 2..... NA  
 TX Tag(s).....  
 SW Tag(s)..... LT-B35497  
 Owner..... Alectra  
 Usage..... Joint  
 Class..... 2  
 Circumference...-  
 Height..... 75  
 Composition..... Wood  
 Manufacturer.....  
 Year Mfg.....2008  
 Year Install.....  
 Year Inspect.....  
 Species..... WRC  
 Preserve..... CCA  
 Pole Tilt.....

Top of Pole..... 19.83m  
 Lowest Primary..12.4m  
 Lowest Sec.....8.3m  
 Lowest SL.....7.65m  
 Lowest TL.....-

- PT  Has TX
- Has Primary Dip  Has Sec Dip
- Has Primary SW  Has Power VG
- Has In-Line SW(s)  Has Comm VG
- Has Ambiguous Grade

O/S to BOC/EOP 1..  
 O/S to BOC/EOP 2..  
 O/S to SW 1.....  
 O/S to SW 2.....  
 O/S to Fence.....  
 O/S to BOC Tang...  
 Vert O/S to Grade... -  
 Common Grade.....  
 Altitude.....  
 Condition: Visually OK

PDOP:



Looking W (RS View)

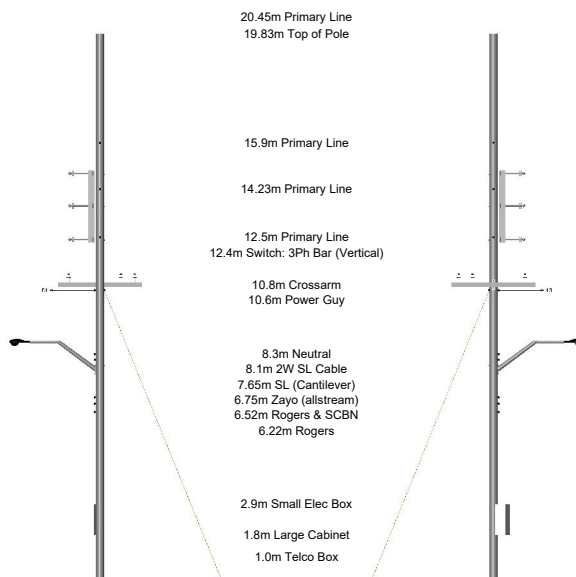
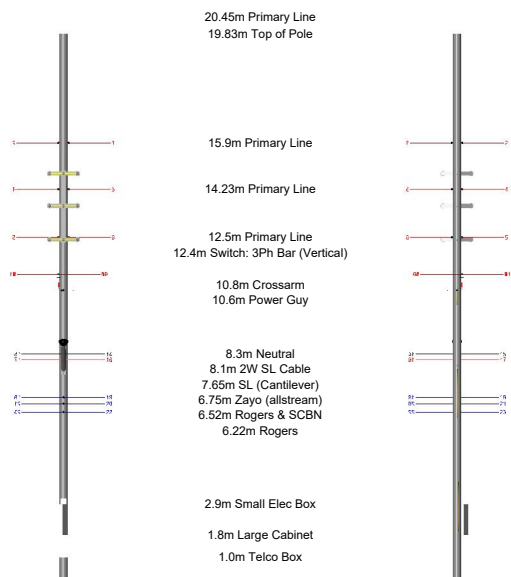
Looking E (FS View)

Looking S

Looking N

23.7m Antenna (Top of Pole)

23.7m Antenna (Top of Pole)



20.45m Primary Line  
 19.83m Top of Pole

15.9m Primary Line

14.23m Primary Line

12.5m Primary Line  
 12.4m Switch: 3Ph Bar (Vertical)

10.8m Crossarm  
 10.6m Power Guy

8.3m Neutral  
 8.1m 2W SL Cable  
 7.65m SL (Cantilever)  
 6.75m Zayo (allstream)  
 6.52m Rogers & SCBN  
 6.22m Rogers

2.9m Small Elec Box  
 1.8m Large Cabinet  
 1.0m Telco Box

20.45m Primary Line  
 19.83m Top of Pole

15.9m Primary Line

14.23m Primary Line

12.5m Primary Line  
 12.4m Switch: 3Ph Bar (Vertical)

10.8m Crossarm  
 10.6m Power Guy

8.3m Neutral  
 8.1m 2W SL Cable  
 7.65m SL (Cantilever)  
 6.75m Zayo (allstream)  
 6.52m Rogers & SCBN  
 6.22m Rogers

2.9m Small Elec Box  
 1.8m Large Cabinet  
 1.0m Telco Box

LINE ATTACHMENTS

REL REF	ITEM / CLIENT	LINE 1	LINE 2	T.BOLT	B.BOLT	POSITION	DIRECTION	STRAND GAUGE	CONDUCT AWG	ATTACH TYPE	ANC	DIPS	BND	SLACK	BROK LASH	FL90	Ex Arm	O/S	KV	SW-P	SW-L	SUB		
1	Primary (Tier 1)	15.9m				99° / N (DE)	99° / N 48.9m to P38		556 / 0.9"	Dead End														
2		15.9m				279° / S (DE)	279° / S 56.3m to P40		556 / 0.9"	Dead End														
3	Primary (Tier 2)	14.23m				99° / N (DE)	99° / N 48.9m to P38		556 / 0.9"	Dead End														
4		14.23m				279° / S (DE)	279° / S 56.3m to P40		556 / 0.9"	Dead End														
5	Primary (Tier 3)	12.5m				279° / S (DE)	279° / S 56.3m to P40		556 / 0.9"	Dead End														
6		12.5m				99° / N (DE)	99° / N 48.9m to P38		556 / 0.9"	Dead End														
7	1xMember-2xBolt CA	10.8m		10.93m	10.68m	279° / S				Metal Bar														
8		20.45m				2/2, 189°/W (FS)	279° / S 56.3m to P40		556 / 0.9"															
9		20.45m				2/2, 189°/W (FS)	99° / N 48.9m to P38		556 / 0.9"															
10		20.45m				1/2, 189°/W (FS)	279° / S 56.3m to P40		556 / 0.9"															
11		20.45m				1/2, 189°/W (FS)	99° / N 48.9m to P38		556 / 0.9"															
12		20.45m				1/1, 9°/E (RS)	279° / S 56.3m to P40		556 / 0.9"															
13	Power Guy	10.6m				9° / E (RS)	7° / E 12.5m to P39a	3/8"			✓													
14	Neutral	8.3m				9° / E (RS)	99° / N 48.9m to P38		336 / 0.7"															
15	Neutral	8.3m				9° / E (RS)	279° / S 56.3m to P40		336 / 0.7"				✓											
16	2W SL Cable	8.1m				9° / E (RS)	99° / N 48.9m to P38	unlashed	#6 / 0.2"															
17	2W SL Cable	8.1m				9° / E (RS)	279° / S 56.3m to P40	unlashed	#6 / 0.2"															
18	Zayo (allstream)	6.75m				9° / E (RS)	279° / S 56.3m to P40	5/16"																
Cable: Cable: (1x) Fibre 0.8",(1x) Fibre 0.7"																								
19	Zayo (allstream)	6.75m				9° / E (RS)	99° / N 48.9m to P38	5/16"																
Cable: Cable: (1x) Fibre 0.8",(1x) Fibre 0.7"																								
20	Rogers & SCBN	6.52m				9° / E (RS)	99° / N 48.9m to P38	1/4"																
Cable: Cable: (1x) Fibre 0.7",(1x) Fibre 0.6",(1x) Fibre 0.4"																								
21	Rogers & SCBN	6.52m				9° / E (RS)	279° / S 56.3m to P40	1/4"																
Cable: Cable: (1x) Fibre 0.7",(1x) Fibre 0.6",(1x) Fibre 0.4"																								
22	Rogers	6.22m				9° / E (RS)	99° / N 48.9m to P38	1/4"																
Cable: Cable: (1x) Fibre 0.8",(1x) Fibre 0.6",(1x) Coax 625																								
23	Rogers	6.22m				9° / E (RS)	279° / S 56.3m to P40	1/4"																
Cable: Cable: (1x) Fibre 0.8",(1x) Fibre 0.6",(1x) Coax 625																								

STRUCTURES

REF	ITEM	TOP	BOTTOM	T.BOLT	B.BOLT	MID HT	PRI DL BUSH HT	SEC DL	WIDTH	DEPTH	DIAM	POSITION	COMPOSITE	DESCRIPTION	QTY	DIPS	BND
24	Antenna (Top of Pole)	23.7m										0° / E (RS)			1		
25	Small Elec Box	3.1m	2.9m									9° / E (RS)			1	✓	
26	Switch: 3Ph Bar (Vertical)		12.4m	16.12m	13.03m							9° / E (RS)		Pole Pos: 99° / N	1		✓
27	SL (Cantilever)			7.9m	7.65m			7.65m				9° / E (RS)			1		
28	Large Cabinet	2.9m	1.8m						0.4m	0.4m		346° / ESE			1		
Switch mechanism guard																	
29	Telco Box	1.8m	1.0m						0.6m	0.45m		9° / E (RS)			1		✓

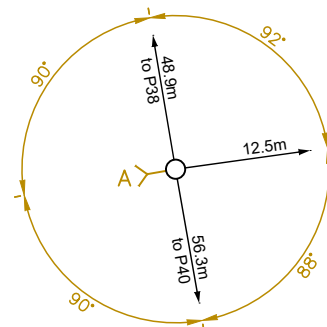
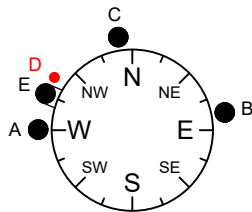
ANCHORS

LL REF	CLIENT	DOWN GUY			SLOPE HEIGHT	DIRECTION	ROD				SW STRUT		MARKER		WISH BONE	AUX EYE
		HEIGHT	GAUGE	LEAD			DIAM	EYE	CONSTR	DEV ANG	CONCEALED	HEIGHT	LENGTH	CONSTR		
A	Power	10.6m	3/8"	4.5m	-0.5m	190° / W	5/8"	Twin	1x Piece							

DIPS

TOP VIEW

- A) Switch Antenna Cable, Mast: NA
- B) Elec Box Feed, Mast: 0.5" Conduit, Cov: 2.9m
- C) Switch Pole, Mast: NA
- D) Primary VG
- E) Switch Power Cable, Mast: 2.0" U-Guard, Cov: 11.9m

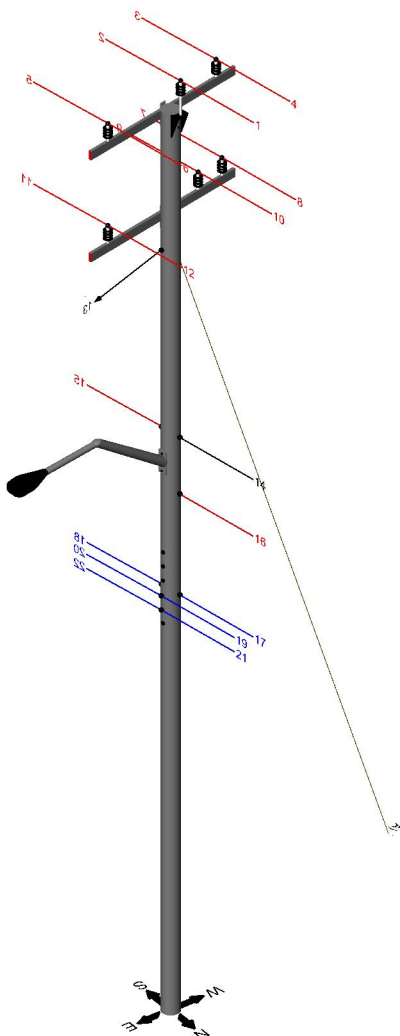




44.339116643811344,-79.66999129580876  
 Front-572 Welham Rd  
 Surveyor..... Undisclosed  
 Date Surveyed.. 2020-06-08  
 Pole ID 1..... P6170  
 Pole ID 2..... NA  
 TX Tag(s).....  
 SW Tag(s).....  
 Owner..... Alectra  
 Usage..... Joint  
 Class..... G  
 Circumference...-  
 Height..... 60  
 Composition..... Concrete  
 Manufacturer.....  
 Year Mfg..... 1987  
 Year Install.....  
 Year Inspect.....  
 Species.....  
 Preserve.....  
 Pole Tilt.....  
**Top of Pole..... 15.9m**  
**Lowest Primary..14.2m**  
**Lowest Sec..... 10.2m**  
**Lowest SL.....8.9m**  
**Lowest TL.....-**

PT  Has TX  
 Has Primary Dip  Has Sec Dip  
 Has Primary SW  Has Power VG  
 Has In-Line SW(s)  Has Comm VG  
 Has Ambiguous Grade

O/S to BOC/EOP 1..  
 O/S to BOC/EOP 2..  
 O/S to SW 1.....  
 O/S to SW 2.....  
 O/S to Fence.....  
 O/S to BOC Tang...  
 Vert O/S to Grade... -  
 Common Grade.....  
 Altitude..... PDOP:  
 Condition: Visually OK

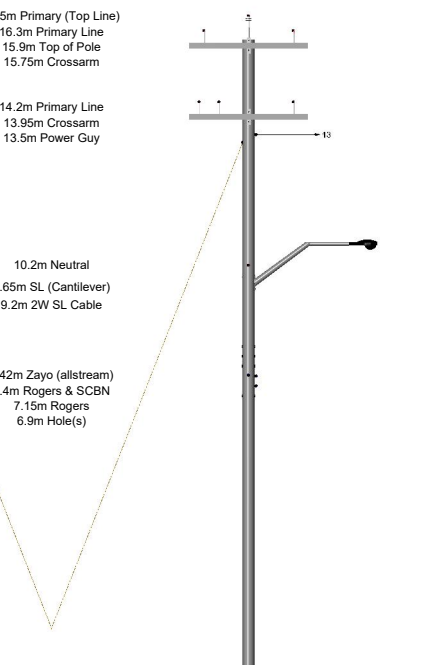
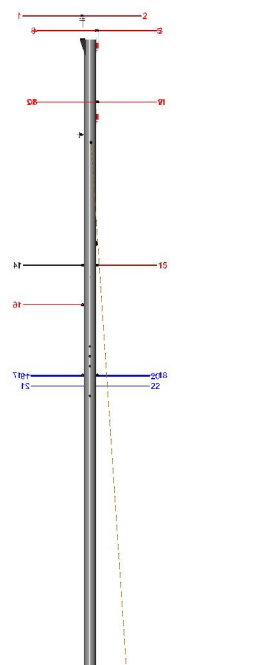
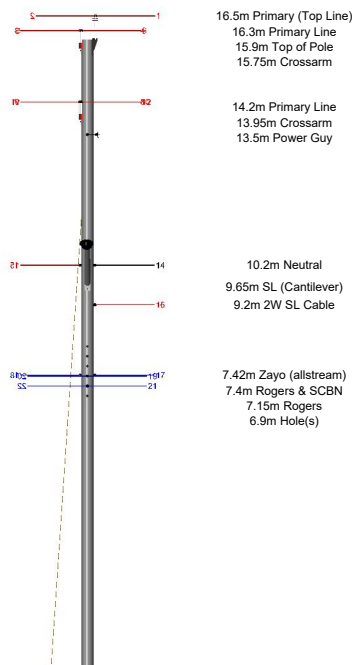


Looking W (RS View)

Looking E (FS View)

Looking S

Looking N



LINE ATTACHMENTS

REL REF	ITEM / CLIENT	LINE 1	LINE 2	T.BOLT	B.BOLT	POSITION	DIRECTION	STRAND GAUGE	CONDUCT AWG	ATTACH TYPE	ANC	DIPS	BND	SLACK	BROK LASH	FL90	Ex Arm	O/S	KV	SW-P	SW-L	SUB	
1	Primary (Top Line)	16.5m				100° / N	99° / N 56.3m to P39		556 / 0.9"	Dead End													
2	Primary (Top Line)	16.5m				100° / N	280° / S 49.43m to P40b		556 / 0.9"	Dead End													
3	1xMember-2xBolt CA	15.75m		15.88m	15.63m	280° / S				Metal Bar													
4		16.3m				1/1, 190°/W (FS)	280° / S 49.43m to P40b		556 / 0.9"														
3		16.3m				1/1, 190°/W (FS)	99° / N 56.3m to P39		556 / 0.9"														
5		16.3m					1/1, 10°/E (RS)	280° / S 49.43m to P40b		556 / 0.9"													
6		16.3m					1/1, 10°/E (RS)	99° / N 56.3m to P39		556 / 0.9"													
7	1xMember-2xBolt CA	13.95m		14.08m	13.83m	280° / S				Metal Bar													
8		14.2m				2/2, 190°/W (FS)	280° / S 49.43m to P40b		556 / 0.9"														
9		14.2m					2/2, 190°/W (FS)	99° / N 56.3m to P39		556 / 0.9"													
10		14.2m					1/2, 190°/W (FS)	280° / S 49.43m to P40b		556 / 0.9"													
11		14.2m					1/2, 190°/W (FS)	99° / N 56.3m to P39		556 / 0.9"													
12		14.2m					1/1, 10°/E (RS)	280° / S 49.43m to P40b		556 / 0.9"													
13	Power Guy	13.5m				9° / E (RS)	18° / ENE 15.7m to P40a	3/8"			✓												
14	Neutral	10.2m				99° / N	99° / N 56.3m to P39		336 / 0.7"														
15	2W Spun-Bus	10.2m				279° / S	280° / S 49.43m to P40b	unlashed	1/O / 0.4"														
16	2W SL Cable	9.2m				99° / N	99° / N 56.3m to P39	unlashed	#6 / 0.2"														
17	Zayo (allstream)	7.42m				99° / N	99° / N 56.3m to P39	5/16"				✓	C										
Cable: Cable: (1x) Fibre 0.8", (1x) Fibre 0.7"; Equip: FOSSC, Fibre Coil																							
18	Zayo (allstream)	7.42m				279° / S	280° / S 49.43m to P40b	1/4"					C										
Cable: Cable: (1x) Fibre 0.7"																							
19	Rogers & SCBN	7.4m				9° / E (RS)	99° / N 56.3m to P39	1/4"															
Cable: Cable: (1x) Fibre 0.7", (1x) Fibre 0.6", (1x) Fibre 0.4"																							
20	Rogers & SCBN	7.4m				9° / E (RS)	280° / S 49.43m to P40b	1/4"															
Cable: Cable: (1x) Fibre 0.7", (1x) Fibre 0.6", (1x) Fibre 0.4"																							
21	Rogers	7.15m				9° / E (RS)	99° / N 56.3m to P39	1/4"															
Cable: Cable: (1x) Fibre 0.8", (1x) Fibre 0.6", (1x) Coax 625																							
22	Rogers	7.15m				9° / E (RS)	280° / S 49.43m to P40b	1/4"															
Cable: Cable: (1x) Fibre 0.7", (1x) Fibre 0.6"																							

STRUCTURES

REF	ITEM	TOP	BOTTOM	T.BOLT	B.BOLT	MID HT	PRI DL BUSH HT	SEC DL	WIDTH	DEPTH	DIAM	POSITION	COMPOSITE	DESCRIPTION	QTY	DIPS	BND
23	SL (Cantilever)			9.9m	9.65m			8.9m				9° / E (RS)			1		
24	Hole(s)											9° / E (RS)			1		

Heights: 6.9m, 7.65m, 7.9m, 8.15m

ANCHORS

REF	CLIENT	DOWN GUY			SLOPE HEIGHT	DIRECTION	ROD				SW STRUT		MARKER		WISH BONE	AUX EYE
		HEIGHT	GAUGE	LEAD			DIAM	EYE	CONSTR	DEV ANG	CONCEALED	HEIGHT	LENGTH	CONSTR		
A	Power	13.3m	3/8"	5.3m	-	199° / WSW	1"	Triple	1x Piece							

DIPS

TOP VIEW

- A) Comm VG
- B) allstream FOC, Mast: 4.0" U-Guard, Cov: 5.2m
- C) Primary VG

